



Electrical Information					
Model No.	CP02-25WS	CP02-40WS	CP02-60WS	CP02-80WS	CP02-100WS
Power Consumption(W)	25/19/13/7.5(Selectable)	40/30/20/12(Selectable)	60/45/30/18(Selectable)	80/60/40/24(Selectable)	100/75/50/30(Selectable)
Power Supply	Lifud/Becky				
Input Voltage	120-277 Vac, 120-347Vac, 50 / 60 Hz				
Power Factor	>0.9				
Surge Protection	4kV line-line, 6kV line-earth				
Driver Type	Constant current (CC)				
Control	Dimmable, Microwave sensor, PIR sensor, 8W1.5H emergency backup optional				
Note	NA				

* The tolerance for power is ±5%.

Optic Information					
LED Type	LED 2835				
Luminous Flux@4000K Ra70 (lm)	4125	6600	9900	13200	16500
Efficacy@3000K Ra70(lm/W)	150				
Efficacy@4000K Ra70(lm/W)	165				
Efficacy@5000K Ra70(lm/W)	155				
Correlated Color Temperature	CCT (3000K, 4000K, 5000K)				
Color Rendering Index	Ra70 (Ra80 optional)				
Beam Angle	U00C09 (Type V)			U00C07 (Type V)	
UGR level	NA				

* The tolerance for luminous flux is ±10%.

Description

Terse design of appearance, simple and light structure, more in line with the modern aesthetic. Uplight is a standard design feature, which eliminates the "cave effect" often caused by traditional parking garage light, making them ideal for applications that require more attention to the ambiance.

Key Features

- ADC12 die-casting aluminum, which has excellent heat dissipation effect.
- High output efficiency up to 165lm/W.
- PIR/microwave sensor are optional.
- 3CCT & 4 power adjustable.
- Up light switch as standard.
- The upright flux accounts for 5%-10% of the total fixture light flux.
- Emergency backup available.
- 3/4"NPT mount and ceiling mount are available.
- IP65 & IK08.

Dimensions and Mount

Product Dimension (mm/inch)	φ272x78/φ10.7x3	φ322x84/φ12.7x3.3
Luminaire Net Weight (kg/lbs)	2.1/4.63	2.6/5.73
Export Carton Size (mm/inch)	330x330x130/13x13x5.12	375x375x140/14.76x14.76x5.51
Gross Weight (kg/lbs)	2.8/6.1	3.8/8.4
Mounting Option	Surface mounting, Conduit mounting	
Material	Aluminum alloy	
	Polycarbonate optical lens	
Finish	Powder coating	
Fixture Color	White (RAL9016)	
EPA	NA	
IK Rating	IK08	
IP Rating	IP65	
Category of corrosion	C3	

* The tolerance for weight is ±6%.

Lifespan and Warranty

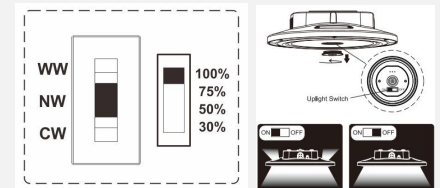
Operating Temperature(°C/°F)	-30 to + 50 / (-22 to +122)	-30 to + 45/ (-22 to +113)
Operating Temperature of Emergency Solution(°C/°F)	0 to + 40 / (32 to +104)	
Lifespan of LED @Ta=25°C(hours)	L80-91000 L70-153000	
Warranty (years)	5	

Applications

- Indoor parking area
- Garage
- Basement

New Features

- 3 CCT available.
- Power selectable, available for 30%, 50%, 75% and 100%.
- External emergency back up optional.
- Up light switch as standard.
- PIR / microwave sensor only work for lighting fixture with 100% power output

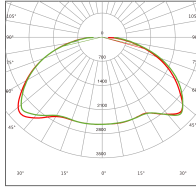
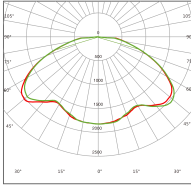


* Please consult us for details.

Photometry

25W/40W/60W beam angle

80W/100W beam angle



U00C09

U00C07

Mounting Options



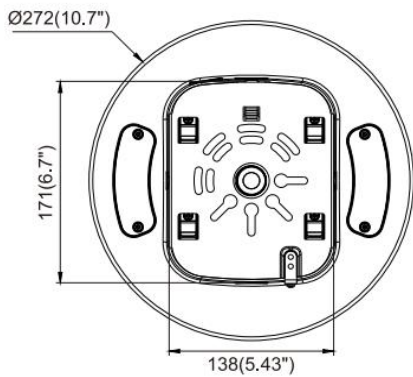
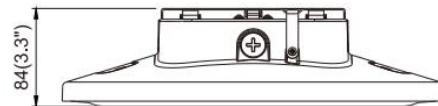
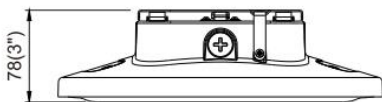
Surface mounting



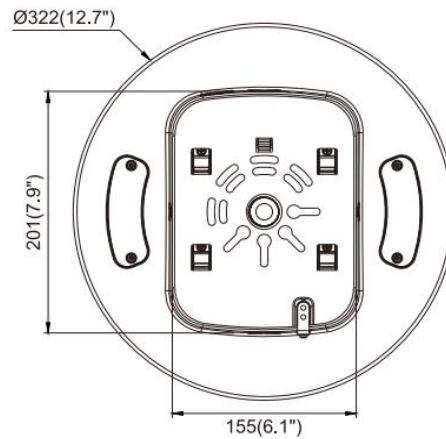
Conduit mounting

Dimensions

Unit:mm/inch



25W/40W/60W



80W/100W

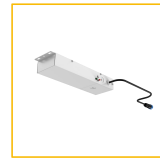
Accessories



Motion sensor
PC
Φ52*20mm
Code: SR-H30-01



PIR sensor
PC
Φ61*28mm
Code: HN074-01VRPH



Emergency kit
SPCC
8W1.5H emergency backup
Operating Voltage: 120-277V
IP Rating:IP20
Code: EM-C02-01



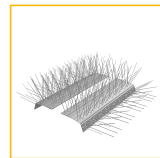
Emergency kit
SPCC
8W1.5H emergency backup
Operating Voltage: 120-347V
IP Rating:IP20
Code: EM-C02-02



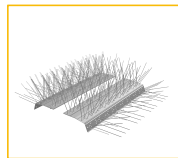
Visor for CP02 (big)
AL1060
Code: CP02-L161



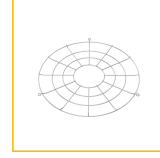
Visor for CP02 (small)
AL1060
Code: CP02-L135



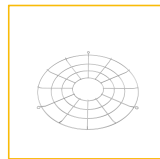
Bird Spikes for CP02 (big)
SPCC
Code: BS-C02-01



Bird Spikes for CP02 (small)
SPCC
Code: BS-C02-02



Protective wire mesh for CP02 (big)
SUS304
Code: BS-C02-03



Protective wire mesh for CP02 (small)
SUS304
Code: BS-C02-04