



Item No.

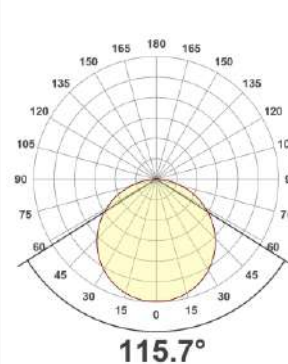
CIP-2835-N-P-D25mm-W/B-5/10w-240-24-W/RGB

- Color Option
- Power Option
- Body Color (white/black)

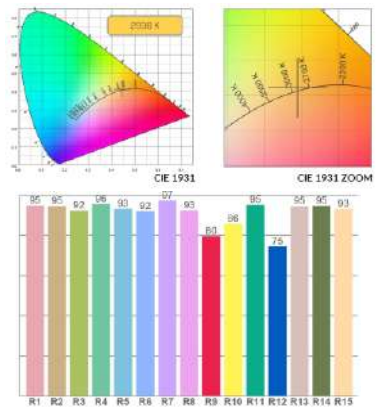
**Description**

Simply divide into two categories - horizontal & vertical bending  
 40mm-300mm bending radius. R/G/B/W/ multiple color  
 and digital colors. Standard 24VDC, 12VDC option. The material  
 of housing and body are made by silicone material which is special  
 designed used in harsh environment. Various shapes (flat, dome or  
 rounded surfaces) are available in this series, and they are also  
 waterproof (Ip67), ideal for lighting up interior and exterior.

**Beam angle**

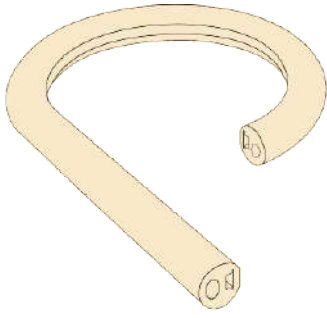


**Colour details**



CIP-2835NP-D25mm10W-24024-30K

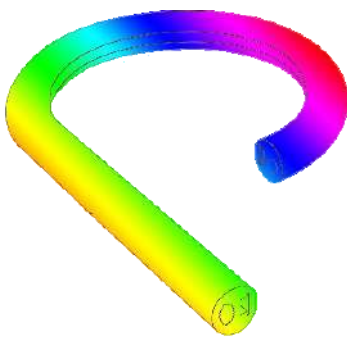




Model:	CIP-2835NP-D25mm5W-24024-W	Color & Output
Input voltage:	DC24V	● 2400K 272LM/M
Power/m:	5W	● 2700K 276LM/M
LED Type:	EPISTAR SMD2835	● 3000K 284LM/M
LED Qty / meter:	240LEDs	● 3500K 306LM/M
Working Mode:	PWM CV	● 4000K 298LM/M
Max Length:	5m	● 5000K 309LM/M
Cut Length:	50mm	● 6000K 302LM/M



Model:	CIP-2835NP-D25mm10W-24024-W	Color & Output
Input voltage:	DC24V	● 2400K 525LM/M
Power/m:	10W	● 2700K 517LM/M
LED Type:	EPISTAR SMD2835	● 3000K 529LM/M
LED Qty / meter:	240LEDs	● 3500K 600LM/M
Working Mode:	PWM CV	● 4000K 556LM/M
Max Length:	5m	● 5000K 604LM/M
Cut Length:	50mm	● 6000K 586LM/M



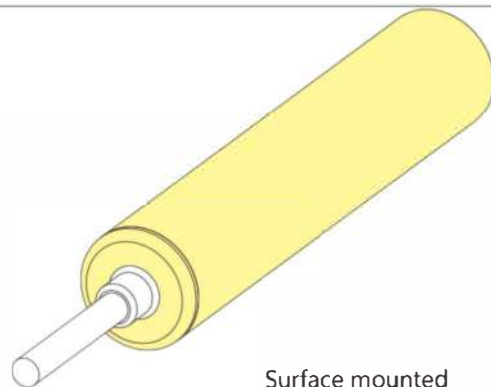
Model:	CIP-2835NP-D25mm5/10W-24024-RGB	Color & Output
Input voltage:	DC24V	●●● TBD
Power/m:	5/10W	
LED Type:	EPISTAR SMD2835	
LED Qty / meter:	240LEDs	
Working Mode:	PWM CV	
Max Length:	5m	
Cut Length:	50mm	

## Installation & Accessories

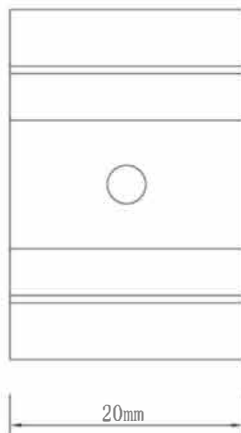
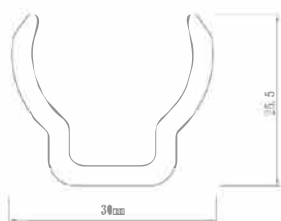
**-SM**



- transparent clip



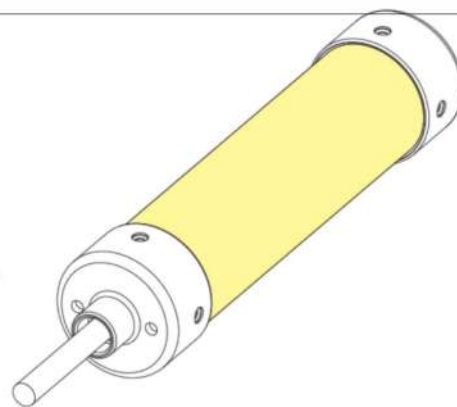
Surface mounted



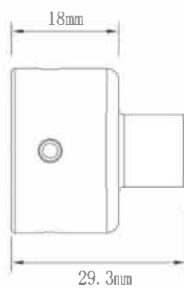
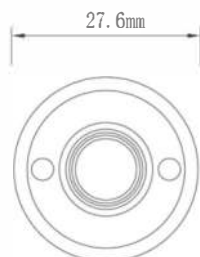
**-SUS**



- Suspension wire



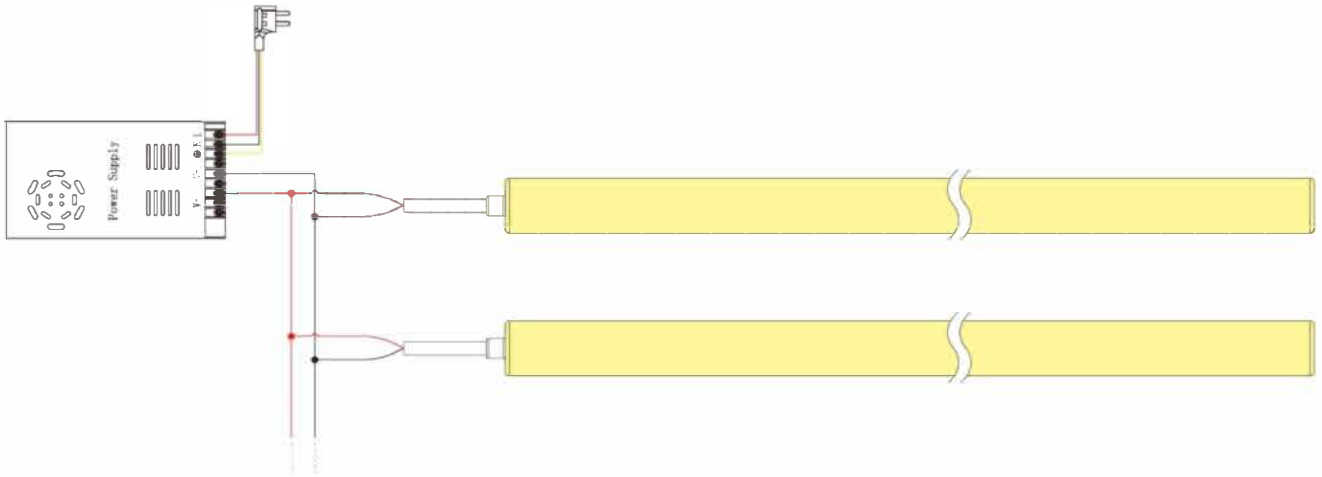
Suspension mounted



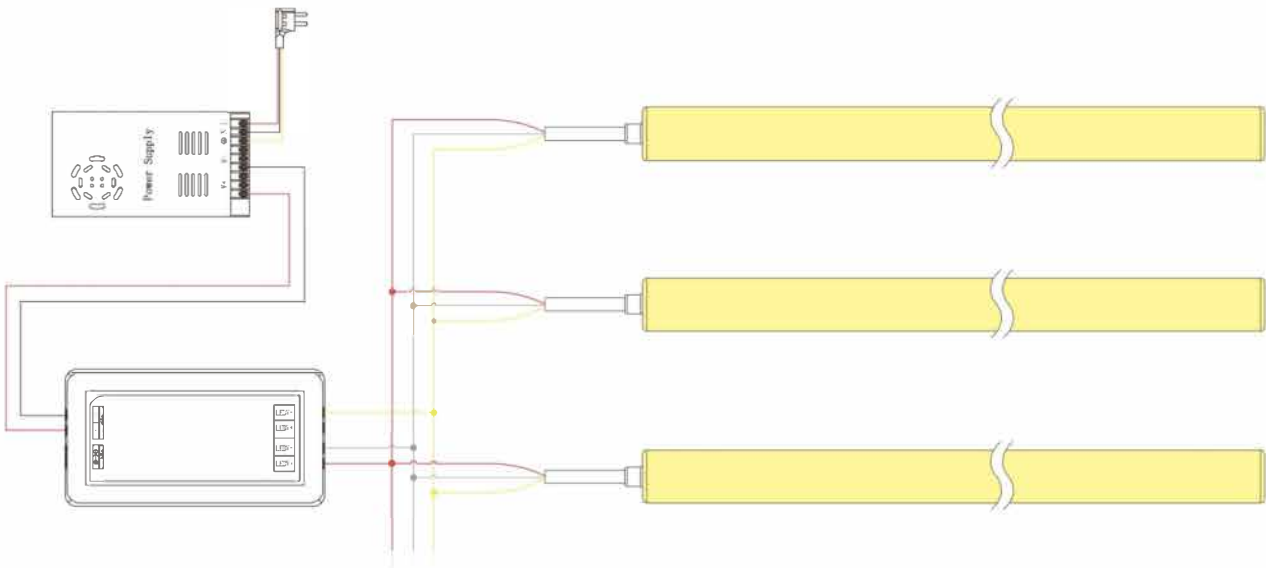
## Connection Drawing

---

- Single Color



- Color temperature type



## Cautions

- Unused products and unused products after unpacking should be sealed in packaging bags to avoid exposure for a long time
- Use DC24V isolated constant voltage switching power supply with ripple voltage less than 5%. Use of other types of power supply may damage the product or cause other safety risks
- In practical applications, the power supply should be reserved with a 20% margin (it is recommended to use only 80% power) to ensure the stability of the power supply
- It is recommended that the power wiring be connected by professional personnel. Power connection is strictly prohibited to avoid electric shock
- Pay attention to the positive and negative ends of the power cord, do not connect wrong; Is the voltage of the power supply consistent with that of the product to avoid damage to the product
- If the actual application length exceeds the specified use length, it will lead to the phenomenon of overload, heating and uneven brightness
- Please avoid scratching, twisting and irregular bending of the product during the installation process, otherwise it may cause irreparable damage to the product
- In order to ensure the life and reliability of the lamp belt, please do not bend in the radian below 200mm in diameter, too small bending radius will damage the product itself
- In order to avoid eye damage, try to avoid staring at the glowing side of the lighting bar for a long time
- Non-professionals are prohibited from installing, disassembling and maintaining the product
- Do not use any acidic or alkaline adhesives to fix products (including but not limited to glass adhesives)
- Different IP levels of products have different usage scenarios, and IP65 is not suitable for water immersion environment
- Different sizes and specifications of the product under the same color temperature value due to structural differences, the final color of the product slightly deviated, before use need to make a good confirmation
- Do not cut the product to avoid damage caused by improper operation of the lamp body

