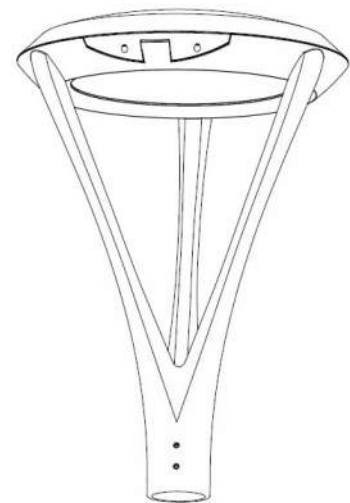
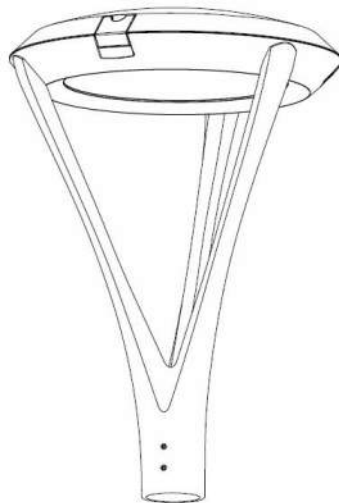
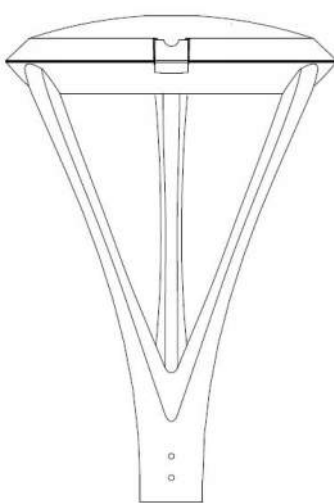
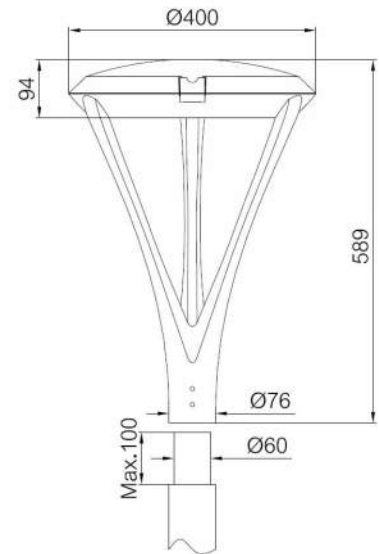


The Breakthrough You've Been Waiting For

CIP - CitySoft® area and site luminaire is an innovative solution that delivers an excellent combination of performance and visual comfort. It brings architectural style to area/site and pedestrian scale applications. Its day-form appearance brings a desired organic look into the urban environment, and the LED Optics provide a uniform pixelation free image, managing glare while providing high levels of visibility. This approach results in a high level of uniformity and vertical foot candles that enhances safety in the application environment



Net weight: 9.0Kg EPA: 0.83 (Sq. Ft.)



Applications

City centers, Villa areas, Commercial districts, Parks and Plazas, Urban landscape, Urban green belt, Rural road, Riverside, Lakeside, Residential areas, Pathway, building wall mounts etc.,

Features

The CitySoft® Amazing is designed to the highest standards of excellence and quality with attention focused on the finest details to aid light performance and maintenance

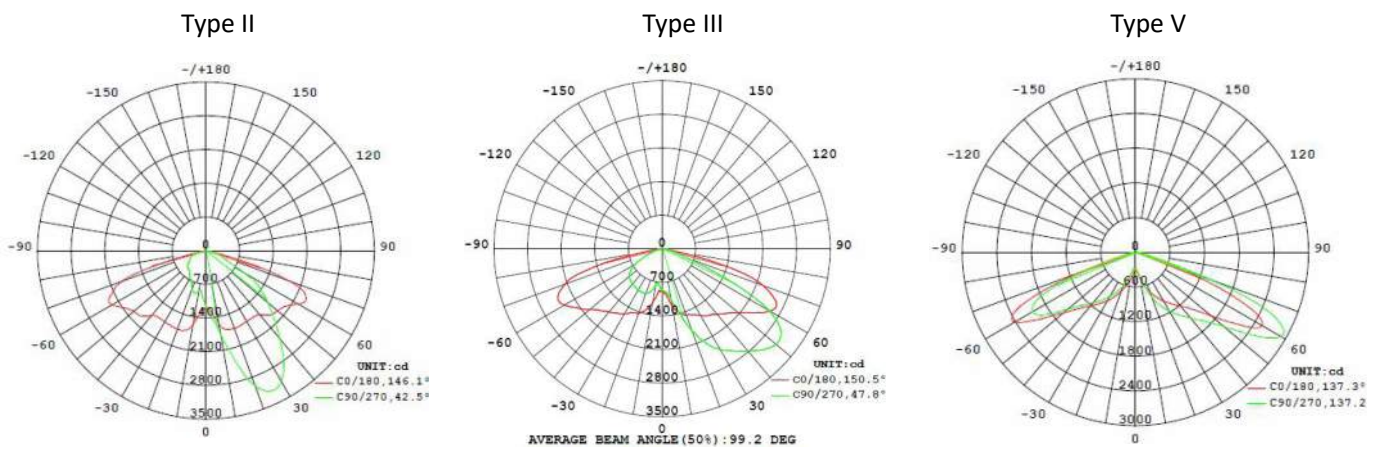
- Multiple options of light distribution to cover all the road lighting application requirements
- Internal hidden rotating axis structure design allows opening the fixture without compromising the exterior design
- Integrated molded 3-arm bracket achieves to Seamless appearance of the entire luminaire
- Dynamic thermal regulation protects LEDs and electronics under extreme temperatures
- Body designed to prevent fitting from water, dust, and bird droppings etc.,
- Self-cleaning and Tool free entry
- Replaceable driver unit and control gear
- 0-10V & 1-10V dimmable, DALI Control gear, Timer control, Zigbee control for Smart City management
- Photo sensor control 3P 5P 7P NEMA Socket & Twist-lock Receptacle
- Attached Microwave Motion Sensor available
- Common mode surge protection 6KV and Customized achievable up to 10KA and 20KA for option
- Die-cast aluminum optical assembly, lid, body and arms, thickness 3.0~3.5mm
- An integrated Urban Styling lighting toolbox designed for many different urban applications
- Future-proof
- City-attractive, welcoming, convenient and safe

Specifications

Nominal Wattage	Distribution	2700K CRI>80					4000K CRI>70					5000K CRI>70				
		Lumen	BUG Rating			lm/w	Lumen	BUG Rating			lm/w	Lumen	BUG Rating			lm/w
			B	U	G			B	U	G			B	U	G	
25.0W	Type II					3133	1	2	1	125						
	Type III					2800	1	2	1	112						
	Type IV					2750	1	2	1	110						
	Type V					3380	2	2	2	135						
36.0W	Type II					4180	1	2	1	116						
	Type III					3888	1	2	1	111						
	Type IV					3810	1	2	1	106						
	Type V					4536	2	2	2	119						
60.0W	Type II					7380	1	2	1	123						
	Type III					6960	1	2	1	116						
	Type IV					6821	1	2	1	114						
	Type V					7600	2	2	2	127						
79.0W	Type II					9150	1	2	1	116						
	Type III					8816	1	2	1	113						

	Type IV					8639	1	2	1	109	
	Type V					9816	2	2	2	126	
98.0W	Type II					10700	1	2	1	109	
	Type III					10290	1	2	1	105	
	Type IV					10084	1	2	1	103	
	Type V					11638	2	2	2	119	

Light distribution curve



Construction & Housing

- IP66 Rated housing is cast from corrosion resistant aluminum, maintaining strength and precision to sustain long term dayform appearance and service life
- IK09 rated enclosure protects electrical equipment against external mechanical impacts
- Build-in Aluminum profile heat sink directly connected with external housing for better heat transfer
- Aluminum die-casting is designed as one-piece with internal cooling fins
- Stable mechanical system prevents damage from installation generated vibration
- Molded silicone gasket throughout insures the sealing and provides ingress protection
- Body designed to prevent fitting from water、 dust、 bird droppings etc., and reachable with Self-cleaning
- Tool-less opening

Finish

- Utilizes premium ultra-weatherable **AKZO** polyester powder coatings to withstand extended outdoor exposure, providing excellent resistance to corrosion, ultraviolet degradation and abrasion under **10 years lifetime**
- Good film appearance combined with excellent mechanical and exterior exposure qualities display greater than twice as much gloss retention
- **Special Seaside application finishing with 10 years guarantee** is provided at MOQ 200pcs
- Finish is compliant with 1500hrs salt spray. **3000hrs salt spray is provided** at MOQ 500pcs
- Standard color includes Dark Bronze (RAL8019), Anthracite Grey (RAL7016) and Anthracite RAL7016, Black (RAL9005)
- RAL & Customized color available with MOQ 200pcs

Optic

- Built-in PC optical lens with exterior tempered glass
- Type II, Type III, Type IV and Type V offered as standard
- A variety of optics to meet full of different roads and strict street lighting requirements except for above standards

Light Performance

- SDCM≤3
- Luminaire output efficacy up to 135 LPW
- CCT 2200K, 2700K, 4000K, 5000K and 6000K offered as standard. **Amber color offered as customized**
- 2200K and 2700K at Minimum CRI 80; 4000K, 5000K and 6000K at Minimum CRI 70. **Customized CRI is Provided**
- EPA (Effective Projected Area): 0.83 (Sq. Ft.)

Electrical

- LED modular and heat sink are directly mounted to upper housing thermal pad for optimal thermal performance
- Protection Class I offered as standard. **Class II offered as customized**
- Input voltage 100-277Vac 50/60Hz. 347V-480Vac 60Hz contact manufacturer for availability
- PF>0.92 at full load. THD<10% at full load.
- Integral 6KV surge protection offered as standard (80W&90W are 10KV). **10KA 20KA SPD offered as customized**
- Replaceable driver unit and control gear
- Powered off automatically when opening the fixture

Dimming and Controls

- 0-10V & 1-10V dimmable, dimming range from 10% to 100%
- DALI Control gear dim-to-off
- Timer dimmable with 3 timer modes: Self Adapting-Midnight; Self Adapting-Percentage and Traditional timer
- 3P NEMA Socket, traditional on/off photoelectric control
- 5P NEMA Socket, wireless photoelectric control for added dimming feature
- 7P NEMA Socket, wireless photoelectric control for dimming and additional I/O connections for customer use
- Wireless Controls: On-Fixture Module with 7P NEMA Socket as Zigbee communication
- Integrated Microwave Motion sensor--on/off
- Detached dimming and occupancy Microwave Motion sensor for added dimming feature
- **Osram OPTOTRONIC driver offered as customized 4DIM in one device (StepDIM, AstroDIM, MainsDIM, DALI)**

Mountings

- 76mm (3.0") Post-top mount for 60mm (2-3/8") OD Tenon
- 89mm (3.5") Post-top mount for 76mm (3") OD Tenon
- Flush mount 60mm (2-3/8") O.D. Pole
- Flush mount 76mm (3.0") O.D. Pole

Installations and Maintenance

- Operating temperature Suggested at -30°C to 35°C (Extreme operating temperature at 45°C)
- Suggested installation height 2.5m(8ft) to 6.0m(20ft)
- Pole-top installation on poles with ending part Ø60mm and Ø76mm
- Tool-less opening and Easy maintenance on-site

- All external screws are in AISI 304 stainless steel. Screw connection block or as option an external IP connector
- 0.5m outlet Input cable offered as standard and customized cable length is acceptable
- Body designed to prevent fitting from water, dust, and bird droppings etc.,
- Self-cleaning

Lumens maintenance and Warranty

Ambient temperature	TM-21 Lumen Maintenance (60,000 Hours)	Calculated L80 (Hours)	Warranty time
25°C	>93%	>60,000	7 Years
30°C	>88%	>60,000	7 Years
35°C	>81%	>50,000	5 Years

CAUTION

Fixtures must be grounded in accordance with national, state and/or local electrical codes. Failure to do so may result in serious personal injury