



LED Troffer Light

BRIGHTEN YOUR LIFE

NEW LED TECHNOLOGY THAT ALLOWS THE COEXISTENCE OF ENVIRONMENTAL PROTECTION AND ENERGY SAVING

Benefits

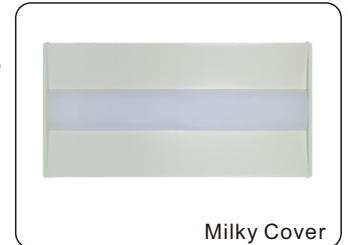
- Luminaire destined to send more fluorescent fixtures down the tubes.
- Class-leading performance up to 130 LPW for maximum energy savings – up to 60% less than similar fluorescent solutions.
- Troffer qualifies for DLC which enables enhanced rebates nationwide.
- Remarkably priced for a typical payback of less than one years.
- Choose between 80+ and 90 CRI to enhance the look of any space.
- Ultra-thin height and lightweight design effectively targets a broad range of plenum spaces.
- Smart Technology intelligent light solution or continuous 0-10V dimming to 5% along with up to 130 LPW efficacy enables compliance with most nationwide energy codes.
- Creates a soft, comfortable lighting experience by utilizing a matte finish design which reduces glare and enables perfect vertical and horizontal light distribution.



CIP-RTGD-XXX-A-XX-D

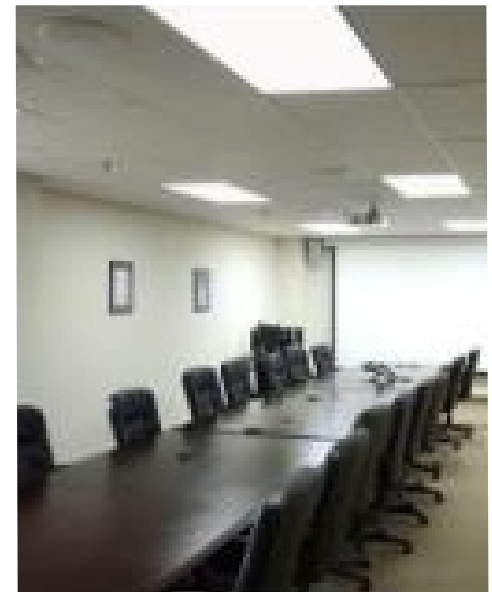
Features

1. Beam angle:120 degrees.
2. Aluminum die-casting heat sinks is good for heat dissipation.
3. It's major to replace the CFL/MH/HID/HPS.
4. Green, energy saving, long and reliable life of 50,000 hours.
5. No RF interference, No IR/UV radiation ,no mercury pollution.
6. Wide colour availability in degrees Kelvin(K),2700-6700K.
7. Streamline exterior design, beautiful appearance.
8. Environment friendly ,energy saving (70~80%).
9. Special circuit design, each LED work separately, avoiding the single broken LED influence problem.



Application

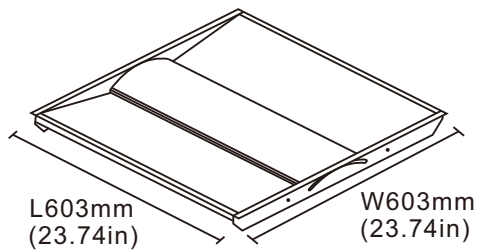
1. Office Lamp.
2. Library Lamp.
3. Factory Lamp.
4. Meeting room Lamp.



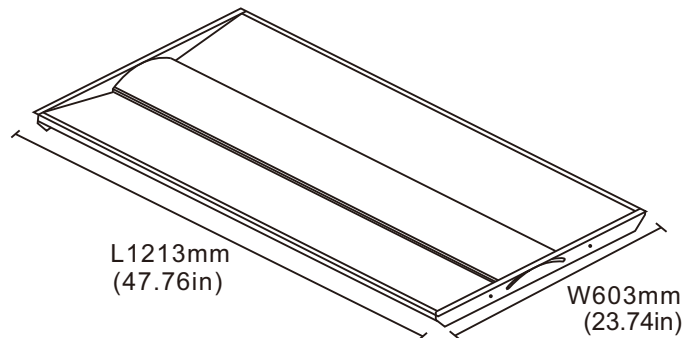
SPECIFICATIONS

Power	25W	40W	25W	40W	35W	50W
Model	CIP-RTGD-25W-A-22-D	CIP-RTGD-40W-A-22-D	CIP-RTGD-25W-A-14-D	CIP-RTGD-40W-A-14-D	CIP-RTGD-35W-A-24-D	CIP-RTGD-50W-A-24-D
Luminous Flux	3250lm	5200lm	3250lm	5200lm	4550lm	6500lm
Replacement	HPS 75W	HPS 120W	HPS 75W	HPS 120W	HPS 100W	HPS 180W
DLC certification	Pending	Y	Pending	Y	Pending	Y
Dimension	603*603*45mm		1213*303*50mm		1213*603*45mm	
Light Source	SMD LED					
Luminous Efficacy	>130lm/w					
Operation Temp.	-40 to +45°C					
CCT	2700K SW / 3000K WW / 4100K NW / 5000K DW / 5700K CW					
CRI	80 standard / CRI90 available					
Life Span	50,000 hours at 25°C					
Voltage	100-277VAC/50-60HZ 200-480VAC available					
Driver	UL listed power supply					
Emergency Module	Available					
Dimming	Available					
Sensor	PIR sensor Dailight sensor Microwave motion available					
Beam Angle	120°					
PF	>0.95					
Warranty	5Years					

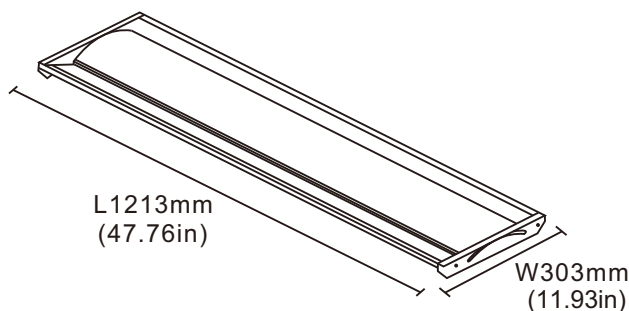
DIMENSIONAL DRAWING



CIP-RTGD-25W\40W-A-22-D



CIP-RTGD-35W\50W-A-24-D

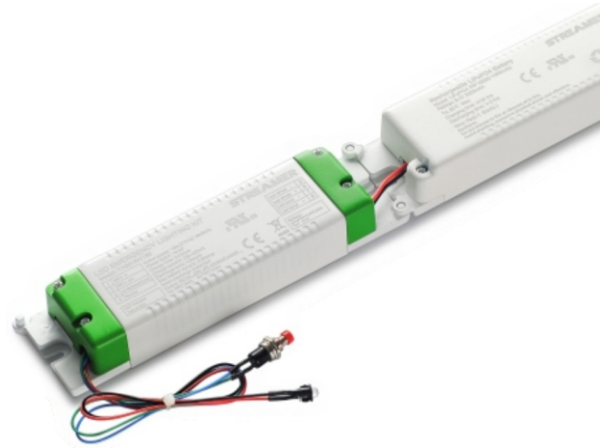


CIP-RTGD-25W\40W-A-14-D

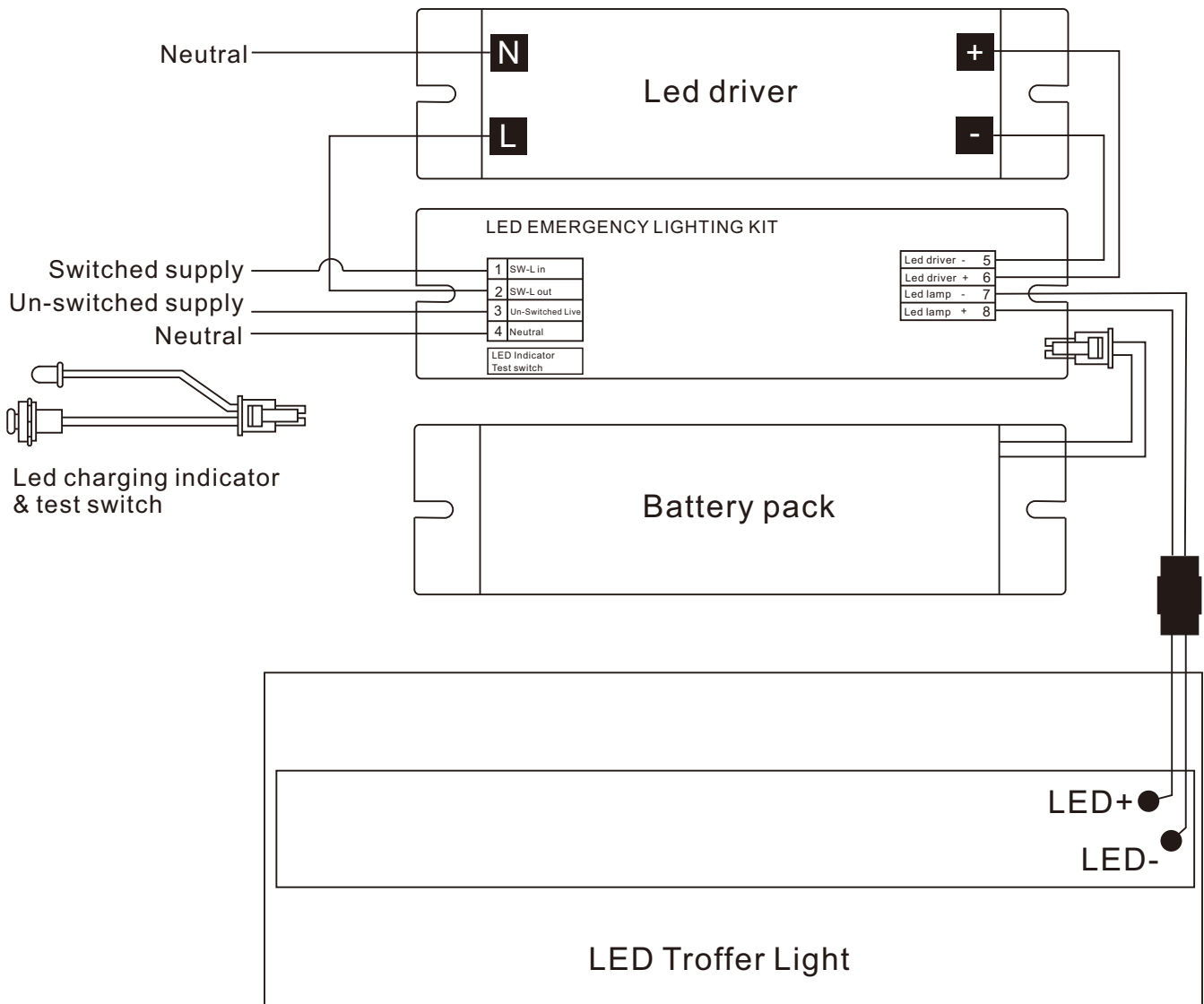
EMERGENCY MODULE

LED Emergency Light Kit

1. Working with battery packs lifePO4 6.4V 1500MAH.
2. DC constant Current Output at Emergency Mode.
3. Over-Discharge Protection.
4. Additional Relay taht can control LED Driver.
5. our product complied with UL924 Standards.
6. Start working @ 90minuts after power off.



Wiring



SENSOR MODULE

There are three sensors for you to choose which meet your requirements, as follow:

PIR Sensor

Dimming Function:

1. on @ night light
2. off @ day light
3. 100% on when motion detected (in night). hold time 40" (typical). if no new motion trigger.

Note: 1 sensor @ 1 lamp only.



Daylight Sensor

It supplies a simple and effective solution for daylight harvesting. Connecting to 1-10V interface and using photocell to measure ambient lux level and automatically calculate how much artificial light is needed, and then convert the amount of light to 1-10V dimmable control gears (ballasts or LED drivers). 1-10V dimmable control gears adjust the lighting output according to the signal from the daylight sensor.

Note: 1 sensor @ 20 lamps Max



Microwave Motion Sensor

1. As built-in daylight sensor can read brightness value, the sensor does not switch on the light if with sufficient natural light.
2. Switch on the light on detection of movement, and switch off after a hold time when there is no motion detected.

Note: 1 sensor @ 10 lamps Max



INSTALLATION

T-BAR CEILING MOUNTING

STEP 1:

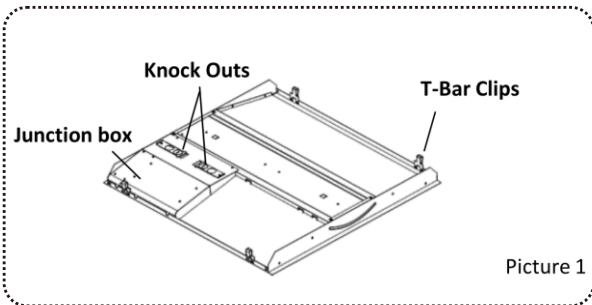
Install the(4) supplied T-Bar clips onto the mounting bracket on the outside of the housing. See picture 1.

STEP 2:

Put the troffer into the T-Bar Ceiling panel and attach the clips on the housing onto the T-Bar.

STEP 3:

Fix the safety cable at the back side of the house to the ceiling incase the troffer drop down.



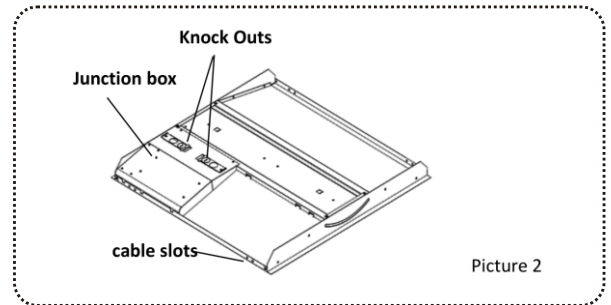
SUSPENDED MOUNTING

STEP 1:

Attach customer supplied cables to the(2) cable slots on each corner of the troffer housing. See picture 2.

STEP 2:

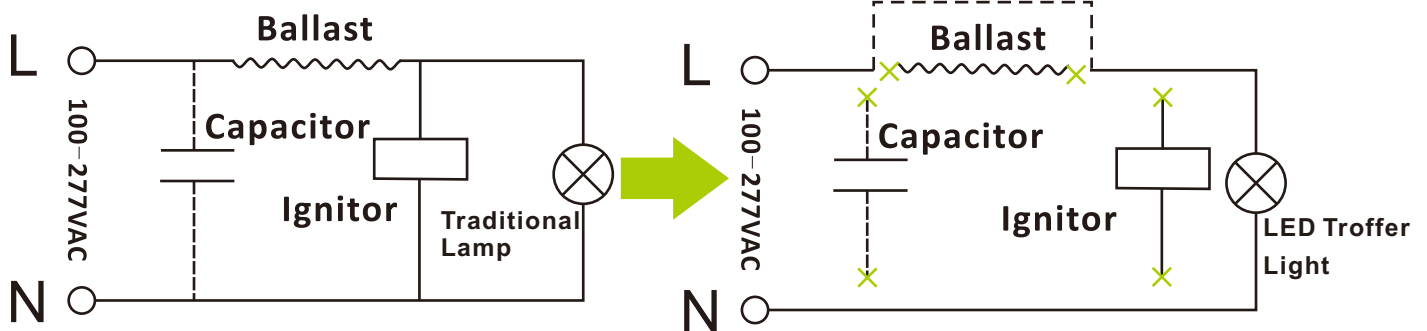
Attach customer supplied cables to mounting surface using customer supplied hardware. Ensuring that mounting surface can support the luminaire.



WIRING

Normally, The Traditional Tube Light has the ballast or capacitor or ignitor.

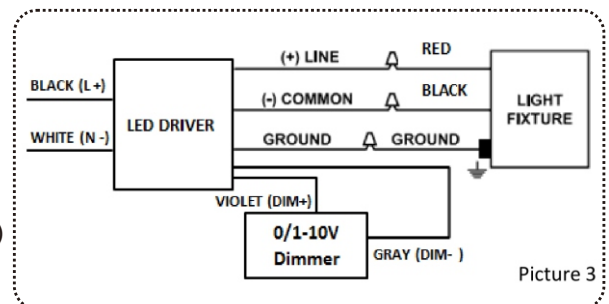
Replace Traditional Tube Light



1. Remove the Ballast, Capacitor, Ignitor.
2. Only need to put the L(live wire), N(null line) connected to the external power supply.

1. Connect the RED fixture lead to LINE(+) supply lead.
2. Connect the BLACK fixture lead to the COMMON(-) supply lead.
3. Connect the GREEN/YELLOW GROUND wire from fixture to supply ground.
4. If any, connect VIOLET to 0/1-10V SIGNAL(DIM+) supply lead and GRAY to EUTRAL/REFERENCE(DIM-) supply lead. (see picture 3)

**REMARKS: All unused leads must be capped and insulated.



PACKING INFO



Item	Packaging unit	Carton Size(mm) (L*W*H)	N.W	G.W	Volume weight
22-D	1pc/CTN	650*100*655mm	5kg	6.5kg	11.6kg
14-D	1pc/CTN	1260*100*355mm	5kg	6.5kg	11.5kg
24-D	1pc/CTN	1260*100*655mm	6kg	7.5kg	22.5kg