

Sensor Based Back-lit LED panel light



Wattages: 20W,25W,30W,35W,40W,46W

WATT/CCT
SELECTABLE



1X4'
FIXTURE

2X4'
FIXTURE

2X2'
FIXTURE

The Sensor Based Back-lit LED panel Lighting Series can be widely used for Indoor Excellent for Offices, Hallways, Multipurpose Rooms , Office Buildings, Conference Rooms,super market, store and many other applications.

Lighting controls meet design lights consortium (DLC) networked lighting control system technical requirements, LLLC, Energy Monitoring and High End Trim function.



Features

- Energy efficient: save up to 80% in energy costs
- High lumen output
- Mercury-free
- Instant-on light
- 50,000 hours at 70% lumen maintenance rated life
- 5 years manufacturer warranty
- Compatible with most Lutron and Leviton dimmers
- **12Vdc auxiliary dimming**
- **The 0-10V Dimming type is continuous**

14LPZ202530W27-3545K-G2

Packaging information

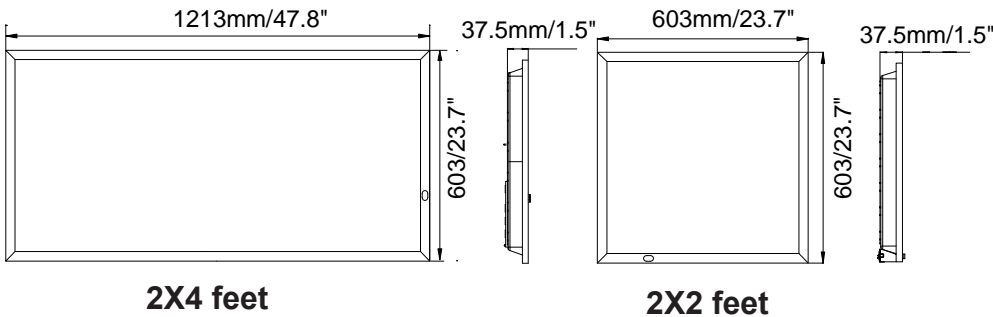
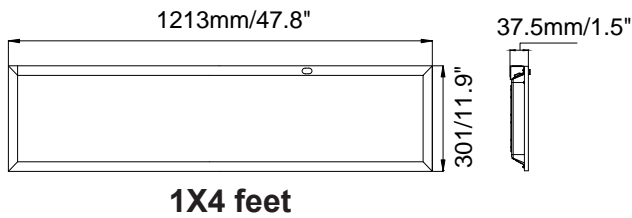
- ❖ **CIP-14LPZ202530W27-3545K-G2**
1271MMX224MMX358MM (4 Pcs/CTN)
(50.0" X8.8" X14.09")
- ❖ **CIP-22LPZ202530W27-3545K-G2**
664MMX224MMX658MM (4 Pcs/CTN)
(26.1" X8.8" X25.9")
- ❖ **CIP-24LPZ354046W27-3545K-G2**
1271MMX224MMX658MM (4 Pcs/CTN)
(50.0" X8.8" X25.9")

SPECIFICATION			
TYPE	CIP-14-LPZ-202530W-3545K-G2	CIP-22-LPZ-202530W-3545K-G2	CIP-24-LPZ-354046W-3545K-G2
WATTAGE	20W/25W/30W	20W/25W/30W	35W/40W/46W
LUMEN	2760 lm/3250 lm/3910lm	2660 lm/3350 lm/3810lm	4650 lm/5200 lm/5942lm
15W EMERGENCY LUMEN	1725lm (EMLY15W27-XX)		
EFFICACY	> 130 lm/W		
CCT	3500K,4000K,5000K		
CRI	> 80		
INPUT VOLTAGE	AC120-277V		
FACTORY SETTINGS	30W & 4000K		46W & 4000K
LED TYPE	SMD2835		
LIGHTING ANGLE	113		
PF	> 0.98		
DRIVER EFFICIENCY	> 90%		
PROTECTION LEVEL	Damp		
LIFE TIME	> 75000 hours		
OPERATING TEMPERATURE	-20°C~50°C(-4°F~122°F)		
IC RATING	Type IC		
WARRANTY	5 year limited		

Sensor Based Back-lit LED panel light

Wattages: 20W,25W,30W,35W,40W,46W

DIMENSION



Specifications

LPZ -14

Length:1213MM(47.8")
Width: 301MM (11.9")
Depth:37.5MM (1.5")
Weight:4.43(lbs)

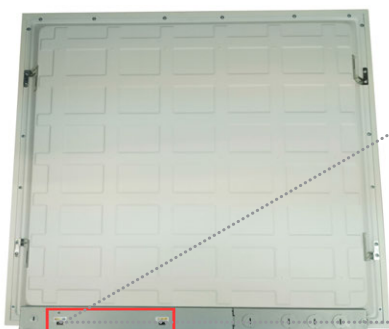
LPZ -22/24

Length:603MM/1213MM (23.7"/47.8")
Width: 603MM (23.7")
Depth:37.5MM (1.5")
Weight:5.78/9.22(lbs)

Mounting

- ❖ Surface Mounting.
- Recessed lighting fixture

CONTROL MODULE



WATT/CCT
SELECTABLE



Enlarge your space

Low profile, optimized packaging allows more container loading.



Each product is packed in PE bags



4 EPE corner protector(6 for 2x4)

Multiple sensor solutions ready

- Quick and easy in-field installation of sensors.



- Integrated occupancy and daylight controls.

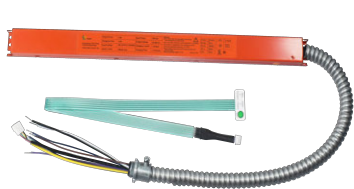


The sensor receptacle is pre-embedded in the profile frame.

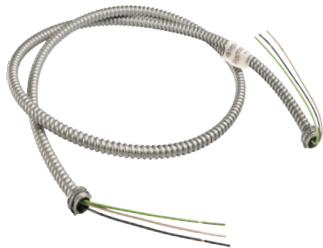
Sensor Based Back-lit LED panel light

Wattages: 20W,25W,30W,35W,40W,46W

ACCESSORIES (ACCESSORIES NEED TO PURCHASED SEPARATELY)



EMLY15W27-XX
15W Emergency Backup
Battery LED Driver



6FTPRWG-3/8-3PIN
6FTPRWG-3/8-5PIN
6FTPRWG-3/8-6PIN
6FT 3/8 inch Metal Flexible
Conduit



Cable Suspended Mounting
for 1x4 Panel Light



Cable Suspended Mounting
for 2x2 / 2X4 Panel Light



PANEL2X2-KIT
2X2 feet SURFACE MOUNT KIT



CIP-PANEL2X4-KIT-G2
2X4 feet SURFACE MOUNT KIT



PANEL1X4-KIT
1X4 feet SURFACE MOUNT KIT

CONTROL (SOLD SEPARATELY)



Bluetooth
NLC-BT-PIR-SR-001
PIR Bluetooth
Microwave Sensor For
Silvair Systems
(Silvair Bluetooth)



Bluetooth
NLC-BT-PIR-GE-001
PIR Bluetooth
Microwave Sensor For
GEBC Systems
(GEBC Bluetooth)

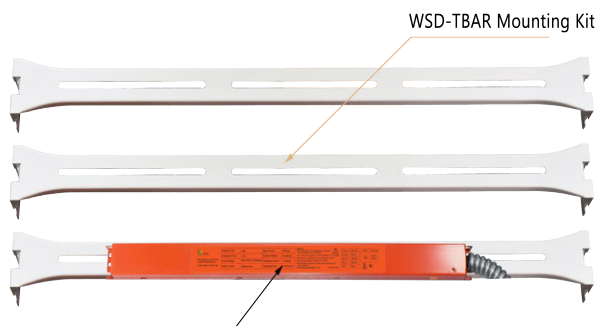


NLC-PIR-SQ-001
Bi-Level PIR
Infrared Sensor



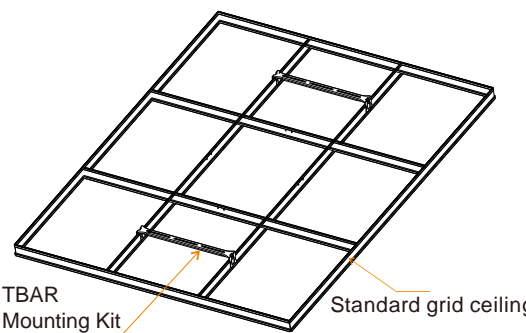
RC100(With ANT-1P-4T
use) Remote Controller

CIP-TBAR Mounting Kit (Sold Separately)



Emergency LED Driver

TBAR
Emergency Backup
Battery LED Driver Mounting Kit



TBAR
Mounting Kit

Standard grid ceiling

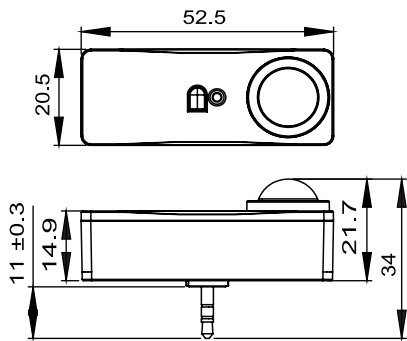
TBAR Mounting Kit for Emergency LED Driver When emergency led drivers can not be installed on the LED lights such as LED downlights, LED panel lights&LED troffer. We can install the emergency led drivers on the TBARs and TBARs are installed on the grid ceiling.

Sensor Based Back-lit LED panel light

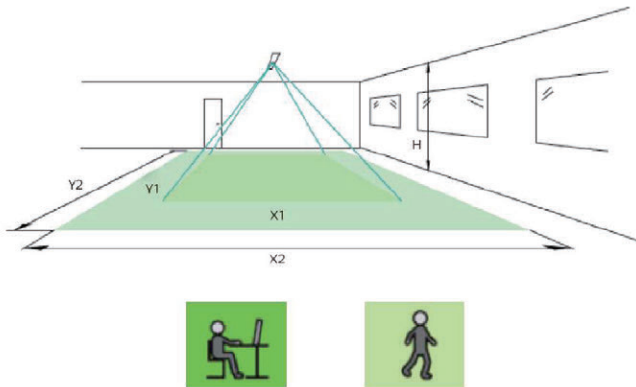
Wattages: 20W,25W,30W,35W,40W,46W



DIMENSION



COVERAGE



Height H	Minor Movement		Major Movement	
	Y1	X1	Y2	X2
8'/2.4m	10'/2.9m	9'/2.7m	15'/4.5m	9'/2.9m
10'/3m	12'/3.6m	11'/3.4m	18'/5.4m	12'/3.6m

Note: Longer dimension of detection area (Y1, Y2) is parallel to longer dimension.

ANT-1P-4T-BLE-SR

Plug and Play Network BLE Nodes and Sensor

The ANT-1P-4T-BLE-SR uses PIR motion detector architecture and passive infrared (PIR) technology for improved detection coverage for high bay applications.

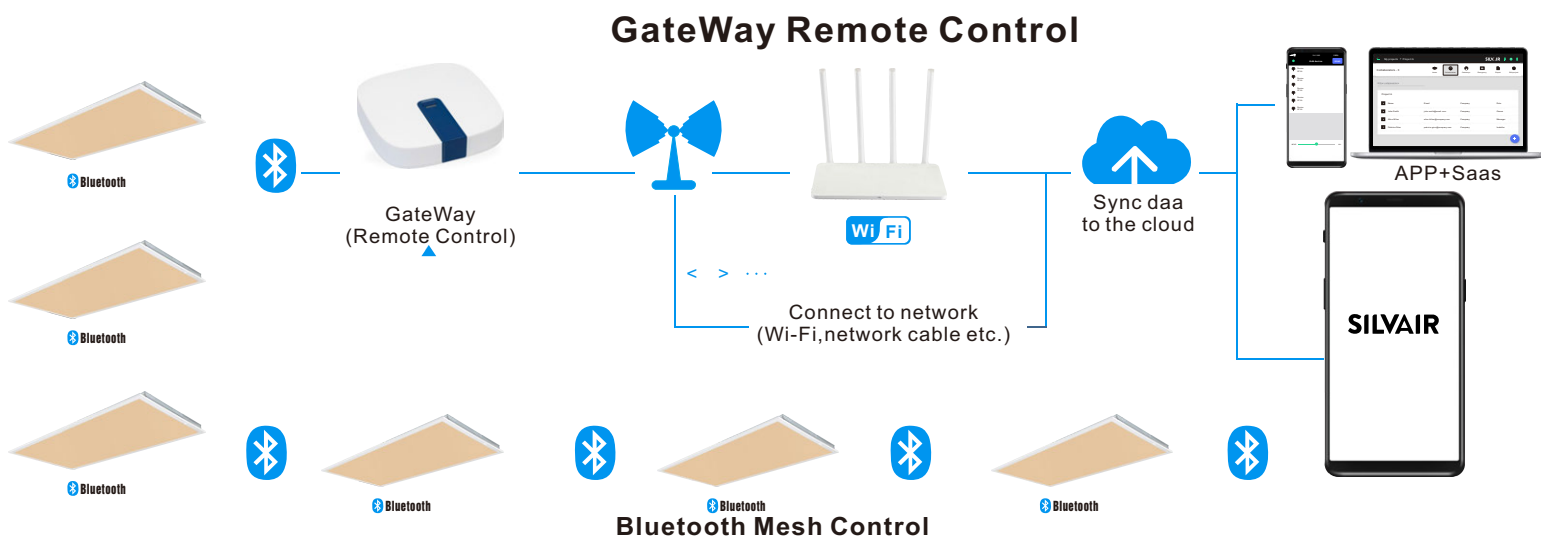
FEATURES

- Bluetooth to 0-10V signal converter, Bluetooth mesh network.
- Built-in 20mA 0-10V signal output.
- Mesh network, which has a much longer control distance, transmits received signals to neighboring devices.
- All devices on 0-10V line are broadcast controlled by mobile application
- In typical outdoor environment, the typical range for wireless communication is 60m.
- Actual range is dependent on field installation.
- Available with Magnetic reset (Touch the top part of sensor for 5 seconds).
- On-board antenna.

SPECIFICATION	
NETWORK BLE MESH	Yes
DAYLIGHT HARVESTING	Yes
MICROWAVE MOTION SENSOR	Yes
MOTION SENSOR	Passive infrared sensor
OPERATING VOLTAGE	10-14V DC
OPERATING CURRENT	>50mA
SINKING CURRENT	max. 25mA
CONTROL OUTPUT	0-10V
RADIO FREQUENCY	2.4GHz ± 75MHz
DETECTION ANGLE	360 °
PROGRAMMING	Silvair iOS App (IOS or Android)
CYBERSECURITY	UL
MOUNTING HEIGHT	12ft Max.
MAX BLUETOOTH RANGE	200ft
SAFETY	cULus Listed
FCC	FCC
OPERATING TEMP.	-20°C - +60°C
IP RATING	IP20
WARRANTY	5 year limited

Sensor Based Back-lit LED panel light

Wattages: 20W,25W,30W,35W,40W,46W



INDUSTRIAL GATEWAY

SGW-101 Smart Engineering Gateway

The Silvair Gateway connects Bluetooth mesh networks that have been commissioned using the Silvair Commissioning tools to the Silvair cloud. This allows the scheduling of events and delivery of services based on the data generated by these networks.

SPECIFICATION

POWER SUPPLY	4.5-5.5 V DC, 2 A Power over Ethernet 36-57 V DC (IEEE 802.3af)
OPERATING SYSTEM	Ubuntu Core
PROCESSOR	i.MX6ULL (Y2), 32-bit ARM 800 MHz
MEMORY	512 MB DDR3L SDRAM 8GB eMMC
COMMUNICATION PROTOCOLS	Bluetooth mesh (2.4 GHz Bluetooth Low Energy) Wi-Fi 802.11a/b/g/n/ac (2.4/5 GHz) 4G LTE Cat 1 with 2G/3G (only for Cascade-500-W and Cascade-500-X gateways)
PORTS	1 x RJ45 10/100 Ethernet 1 x USB 2.0 Type-A 2 x external dipole antenna, 5 dBi (only for Cascade-500-W and Cascade-500-X gateways)
REQUIRED AMBIENT TEMPERATURE	0°C to 60°C 32°F to 140°F
ENCLOSURE DIMENSIONS	127 mm x 127 mm x 30 mm (5 inch x 5 inch x 1.2 inch)
MOUNTING POSITION	Wall or surface mounted. As close to the geometrical center of the lighting network as possible, but as far as possible from potential sources of interference.
SECURITY	Secure boot with encrypted operating system Secure communication with the Silvair Cloud over Internet (TLS) Secure communication with devices over qualified Bluetooth mesh

Functions:

- The Silvair Gateway enables the following functions in the Silvair web app:
 - Scheduling (available by default)
 - Scheduling changes in scenes and lighting control scenarios (for example occupancy sensing, daylight harvesting) for specific times or days.
 - Energy and occupancy monitoring (additional paid service)
 - Visualizing energy use and occupancy via the Silvair web app.
 - Downloading energy and occupancy via the Silvair web app and cloud-based API.
 - Remote monitoring and control (additional paid service)
 - Low-latency monitoring of the status of devices in the network via API.
 - Low-latency control of devices in the network via API.
 - System diagnostics
 - Monitoring of the status of Bluetooth mesh networks.
 - Remote troubleshooting of networking issues.

Features:

- Future-proof Linux operating system.
- Simple commissioning using the Silvair Commissioning tools.
- Automatic connection to the Silvair cloud.
- Secure provisioning with secure IDs and encrypted keys.
- High level of hardware and software security (secure boot and encrypted file system can only be accessed with the management platform).
- Automatic security updates.
- Prompt releases of OS updates and fixes to vulnerabilities.
- Low-latency transfer of network, luminaire, and sensor status data to the Silvair cloud.
- Schedule caching.
- Automatic remote firmware updates.
- Display of gateway and network performance metrics (requires the Silvair web app).

Sensor Based Back-lit LED panel light



Wattages: 20W,25W,30W,35W,40W,46W

ORDERING INFORMATION

EXAMPLE:

CIP-14-LPZ-202530W-27-3545K-E[Blank,BLE,EC,M,ECM]-G2

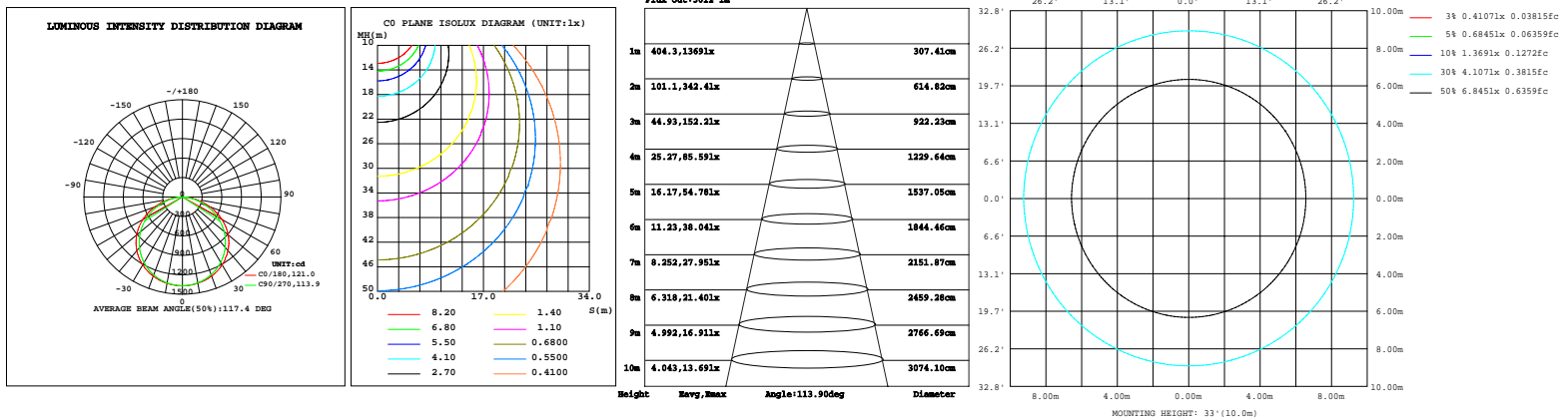
We do try to keep the highlighted in US Stock

CIP-14	LPZ	202530	27	3545K	E	G2
SIZE	PRODUCT	POWER	VOLTAGE	CCT	CONTROL	UPDATE
CIP-14 - (1X4feet) CIP-22 - (2X2feet) CIP-24 - (2X4feet)	LPZ LED Panel Lights	202530/354046 20W/25W/30W 35W/40W/46W	27 AC120-277V	3545 3500K/4000K /5000K	BLE(Bluetooth) EC(Emergency) M(Motion Sensor) ECM(Emergency+ Motion Sensor)	Second generation product

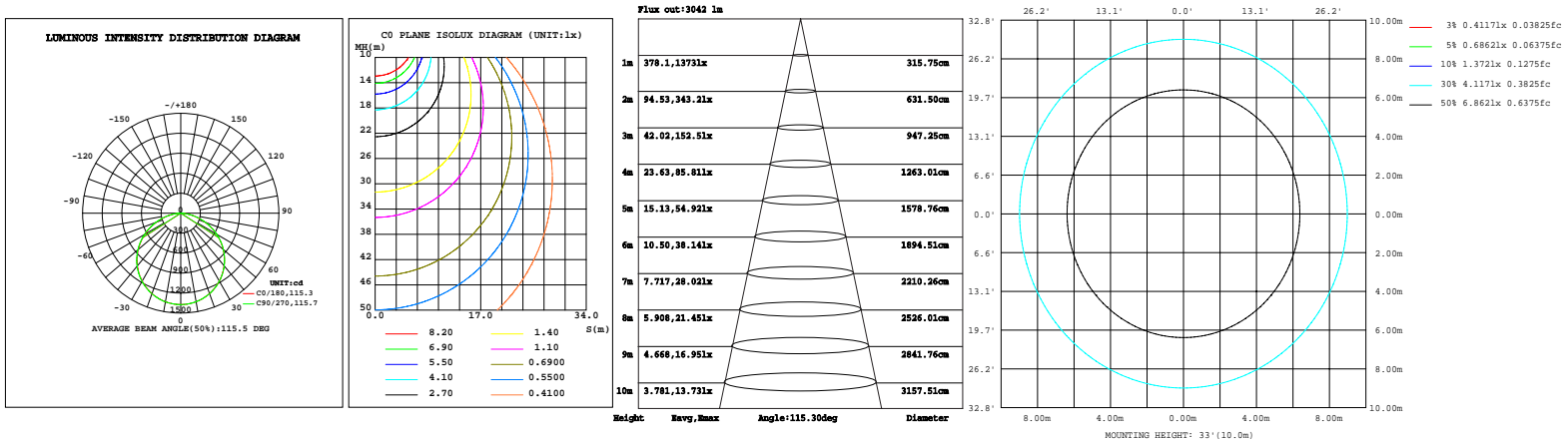
PHOTOMETRICS

For complete IES files, please visit our website.

CIP-14-LPZ-202530W-27-3545K-G2 (30W&4000K)



CIP-22-LPZ-202530W-27-3545K-G2(30W&4000K)



Sensor Based Back-lit LED panel light

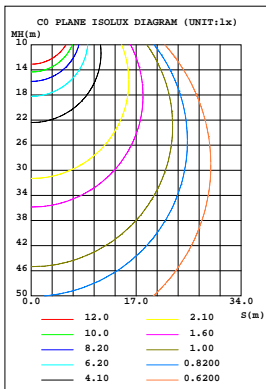
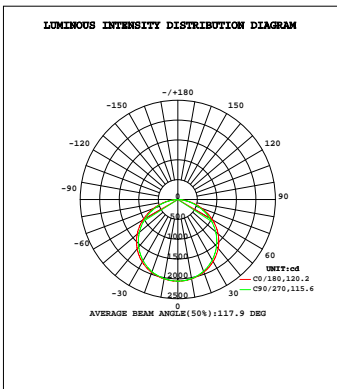


Wattages: 20W,25W,30W,35W,40W,46W

PHOTOMETRICS

For complete IES files, please visit our website.

CIP-24-LPZ-354046W-27-3545K-G2(46W&4000K)



Flux out: 4642 lm

Height	Ray, Max	Angle: 115.58deg	Diameter
1m	576.9, 2060lx		317.50cm
2m	144.2, 515.0lx		635.00cm
3m	64.10, 228.9lx		952.50cm
4m	36.06, 128.7lx		1270.00cm
5m	23.08, 82.39lx		1587.50cm
6m	16.03, 57.22lx		1905.00cm
7m	11.77, 42.04lx		2222.50cm
8m	9.014, 32.19lx		2540.00cm
9m	7.123, 25.43lx		2857.50cm
10m	5.769, 20.60lx		3175.00cm

