

**INTRODUCTION**

**FEATURE**

Ideal LED Linear Facade Lighting  
 Skilled Technology and Uniform Quality Control  
 Long Lifespan Design >50,000hours  
 Working Temperature: -30°C~50°C

**MAIN MATERIAL**

LED Brand: GUBO  
 Backpack Driver Brand: GUBO  
 Housing: Aluminum Radiator Housing  
 Optics: High Efficiency PC Lens  
 Diffuser: Clear Tempered Glass

**INSTALLATION**

Suitable for Exterior Illumination, Like Architecture, Bridge, Riverside.....  
 Projecting Distance: Max15meters  
**[FFS]:** Surface Mounted  
**[FPSR]:** Retractable Stem Pendant  
**NOTES:** Custom Installation and Accessories Referred to Another Catalogue of Fixing Kits.

**STANDARD**

Designed and Manufactured to Comply with CE/RoHS/CB/cETL/SAA/SASO Standard  
 IP67 Protection, Class I / III Electric

**OPTIONS**

LED CCT: 1,800K~10,000K/R/G/B/Y  
 [CRI]: RA80, (G)RA90, (H)RA95  
 [CFM]: Male&Female Waterproof Connector  
 Custom Housing Finish: (RAL Colors to Pantone)

WHITE RAL9010P	BLACK RAL9005P	DARK GREY RAL7016P	GREY RAL7043P	PEARL GREY RAL9022P
-------------------	-------------------	-----------------------	------------------	------------------------

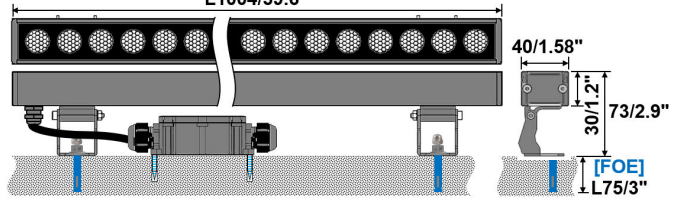
**GTG6601A-MRA40B: LED LINEAR LIGHT**

12/24/42V WARRANTY				[BGL] LOUVER			
				STANDARD			



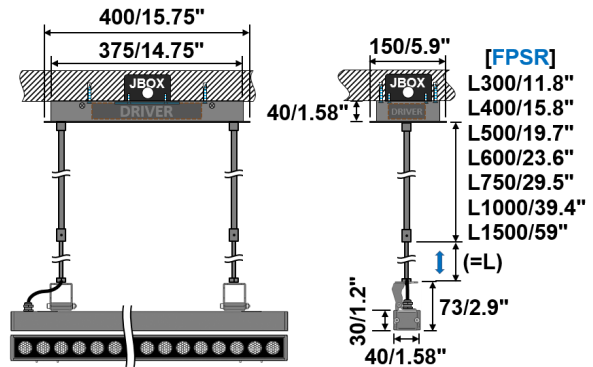
**[FFS]** DIMENSION: [UNIT: MM]

L305/12"  
 L508/20"  
 L610/24"  
 L915/36"  
 L1004/39.6"



**[FPSR]** DIMENSION: [UNIT: MM]

**CASE STUDY**



MODEL	POWER [W]	LED TYPE	CCT [K]	CRI	FLUX [LM]	POWER FACTOR	BEAM ANGLE	REMOTE CONTROL	INPUT [V]
GTG6601A-MRA40B1-L305/12"	10W [6W]	60x0.5W SMD2835	G3000K	RA90	820	> 0.9	[Frosted] BDF:120°	[+CDP]:PWM(100%)  Remote Driver [Inside Bollard]	CV DC24V [CV DC12V] [CV DC42V]
			G4000K	RA90	860				
			G6500K	RA90	850				
	2C@10W	TWG	G2700K	G6500K	RA90	770			
4C@10W	RGBW	620nm 520nm 455nm 2700K	\	770	> 0.9				
4C@10W	RGBA	620nm 520nm 455nm 590nm	\	620	> 0.9				
GTG6601A-MRA40B1-L508/20"	18W [12W]	96x0.5W SMD2835	G3000K	RA90	1530	> 0.9	[Frosted] BDF:120°	[+CDP]:PWM(100%)  Remote Driver [Inside Bollard]	CV DC24V [CV DC12V] [CV DC42V]
			G4000K	RA90	1620				
			G6500K	RA90	1590				
	2C@18W	TWG	G2700K	G6500K	RA90	1440			
4C@18W	RGBW	620nm 520nm 455nm 2700K	\	1440	> 0.9				
4C@18W	RGBA	620nm 520nm 455nm 590nm	\	1160	> 0.9				
GTG6601A-MRA40B1-L610/24"	20W [12W]	120x0.5W SMD2835	G3000K	RA90	1630	> 0.9	[Frosted] BDF:120°	[+CDP]:PWM(100%)  Remote Driver [Inside Bollard]	CV DC24V [CV DC12V] [CV DC42V]
			G4000K	RA90	1730				
			G6500K	RA90	1700				
	2C@20W	TWG	G2700K	G6500K	RA90	1540			
4C@20W	RGBW	620nm 520nm 455nm 2700K	\	1540	> 0.9				
4C@20W	RGBA	620nm 520nm 455nm 590nm	\	1240	> 0.9				
GTG6601A-MRA40B1-L915/36"	30W [18W]	180x0.5W SMD2835	G3000K	RA90	2450	> 0.9	[Frosted] BDF:120°	[+CDP]:PWM(100%)  Remote Driver [Inside Bollard]	CV DC24V [CV DC12V] [CV DC42V]
			G4000K	RA90	2600				
			G6500K	RA90	2550				
	2C@30W	TWG	G2700K	G6500K	RA90	2300			
4C@30W	RGBW	620nm 520nm 455nm 2700K	\	2300	> 0.9				
4C@30W	RGBA	620nm 520nm 455nm 590nm	\	1850	> 0.9				
GTG6601A-MRA40B1-L1000/40"	36W [24W]	192x0.5W SMD2835	G3000K	RA90	3060	> 0.9	[Frosted] BDF:120°	[+CDP]:PWM(100%)  Remote Driver [Inside Bollard]	CV DC24V [CV DC12V] [CV DC42V]
			G4000K	RA90	3240				
			G6500K	RA90	3180				
	2C@36W	TWG	G2700K	G6500K	RA90	2880			
4C@36W	RGBW	620nm 520nm 455nm 2700K	\	2880	> 0.9				
4C@36W	RGBA	620nm 520nm 455nm 590nm	\	2300	> 0.9				

**NOTE:**

All parameters are measured at 25°C ambient temperature, 35% humidity experimental environment. Tolerances of power and luminous flux are ±10%, tolerance of color rendering index is ±5.

**SPECIFICATION**

**GTG6601A-MRA40B: LED LINEAR LIGHT**

MODEL	POWER [W]	LED TYPE	CCT [K]	CRI	FLUX [LM]	POWER FACTOR	BEAM ANGLE	REMOTE CONTROL	INPUT [V]
GTG6601A-MRA40B2C-L305/12"	10W [6W]	9x2W SMD3030	G2700K	RA90	560	>0.9			
			G3000K	RA90	600				
			G3500K	RA90	600				
			G4000K	RA90	640				
			G5000K	RA90	640				
			G6500K	RA90	630				
	2C@10W	TWG	G2700K	G6500K	RA90	480			
3C@10W	RGB	620nm	520nm	455nm	\	480	>0.9		
4C@10W	RGBW	620nm	520nm	455nm	2700K	\	480	>0.9	
4C@10W	RGBA	620nm	520nm	455nm	590nm	\	480	>0.9	
GTG6601A-MRA40B2C-L508/20"	18W [12W]	18x2W SMD3030	G2700K	RA90	1040	>0.9	[Symmetric] BL15D:15° BL25D:25° BL30D:30° BL45D:45° BL60D:60° BL90D:90° BL120D:120°	+CDP]:PWM(1‰)	
			G3000K	RA90	1120				
			G3500K	RA90	1120				
			G4000K	RA90	1200				
			G5000K	RA90	1200				
			G6500K	RA90	1180				
	2C@18W	TWG	G2700K	G6500K	RA90	890			
3C@18W	RGB	620nm	520nm	455nm	\	890	>0.9		
4C@18W	RGBW	620nm	520nm	455nm	2700K	\	890	>0.9	
4C@18W	RGBA	620nm	520nm	455nm	590nm	\	890	>0.9	
GTG6601A-MRA40B2C-L610/24"	20W [12W]	18x2W SMD3030	G2700K	RA90	1110	>0.9	[Oval] BLV15x45° BLV15x60° BLV30x70°	Remote Driver [Inside Bollard]	CV DC24V [CV DC12V] [CV DC42V]
			G3000K	RA90	1200				
			G3500K	RA90	1200				
			G4000K	RA90	1280				
			G5000K	RA90	1280				
			G6500K	RA90	1260				
	2C@20W	TWG	G2700K	G6500K	RA90	950			
3C@20W	RGB	620nm	520nm	455nm	\	950	>0.9		
4C@20W	RGBW	620nm	520nm	455nm	2700K	\	950	>0.9	
4C@20W	RGBA	620nm	520nm	455nm	590nm	\	950	>0.9	
GTG6601A-MRA40B2C-L915/36"	30W [18W]	27x2W SMD3030	G2700K	RA90	1390	>0.9	[Louver] BGL LM-20%	+CDX]:DMX512(1%) +CDS]:SPI(1%)	
			G3000K	RA90	1500				
			G3500K	RA90	1500				
			G4000K	RA90	1600				
			G5000K	RA90	1600				
			G6500K	RA90	1570				
	2C@30W	TWG	G2700K	G6500K	RA90	1420			
3C@30W	RGB	620nm	520nm	455nm	\	1420	>0.9		
4C@30W	RGBW	620nm	520nm	455nm	2700K	\	1420	>0.9	
4C@30W	RGBA	620nm	520nm	455nm	590nm	\	1420	>0.9	
GTG6601A-MRA40B2C-L1000/40"	36W [30W] [24W]	36x2W SMD3030	G2700K	RA90	2080	>0.9			
			G3000K	RA90	2240				
			G3500K	RA90	2240				
			G4000K	RA90	2410				
			G5000K	RA90	2410				
			G6500K	RA90	2360				
	2C@36W	TWG	G2700K	G6500K	RA90	1780			
3C@36W	RGB	620nm	520nm	455nm	\	1780	>0.9		
4C@36W	RGBW	620nm	520nm	455nm	2700K	\	1780	>0.9	
4C@36W	RGBA	620nm	520nm	455nm	590nm	\	1780	>0.9	

**NOTE:**

All parameters are measured at 25°C ambient temperature, 35% humidity experimental environment. Tolerances of power and luminous flux are ±10%, tolerance of color rendering index is ±5.