

INFINITY LED Sports Light

CIP-FL-07-G9



INVENTRONICS

Better solutions for INFINITY LED Sports Light

- IP66 water-proof**
- AC100-277V 50/60Hz**
- Easy Installation**
- 130Lm/W**
150Lm/W

Operating Temp.: -40°C ~ +50°C **Storage Temp.:** -40°C ~ +80°C

Options

Power	CCT	Housing Color	Beam Angle
INVENTRONICS DRIVER	3000K	Black+Red	15°
	4000K	Black+Blue	30°
	5000K	Black+Green	45°
	5700K	Black+Black	80°
		Grey+Grey	



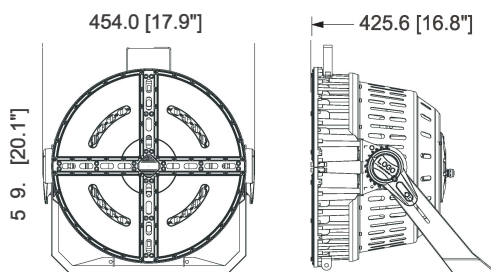
Application

Sports Lighting, Stadium lighting, Sports fields, Car parks, High mast installations Dock, railway and container yards, Ports and other large scale outdoor applications, Architectural lighting, Landscape lighting, Industrial and commercial exterior lighting Decorative lighting for holidays, tradeshows, exhibitions.

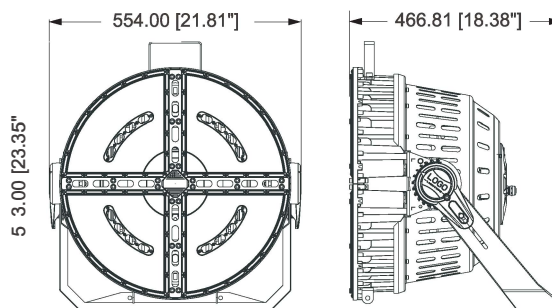
Specifications

Item	Power	Luminous Efficacy	Leds	CRI	Weight	Beam Angle
CIP-FL300W-07-G9	300W	130Lm/W 150Lm/W	SAMSUNG 3535 SMD5050	>70	17.2kg(37.9lbs)	15° 30°/45°/80°
CIP-FL400W-07-G9	400W	130Lm/W 150Lm/W	SAMSUNG 3535 SMD5050	>70	17.2kg(37.9lbs)	15° 30°/45°/80°
CIP-FL500W-07-G9	500W	130Lm/W 150Lm/W	SAMSUNG 3535 SMD5050	>70	17.2kg(37.9lbs)	15° 30°/45°/80°
CIP-FL600W-07-G9	600W	150Lm/W	SMD5050	>70	18.2kg(40.1lbs)	30°/45°/80°
CIP-FL700W-07-G9	700W	130Lm/W 150Lm/W	SAMSUNG 3535 SMD5050	>70	28.7kg(63.3lbs)	15° 30°/45°/80°
CIP-FL800W-07-G9	800W	130Lm/W 150Lm/W	SAMSUNG 3535 SMD5050	>70	28.7kg(63.3lbs)	15° 30°/45°/80°
CIP-FL1000W-07-G9	1000W	130Lm/W 150Lm/W	SAMSUNG 3535 SMD5050	>70	28.7kg(63.3lbs)	15° 30°/45°/80°
CIP-FL1200W-07-G9	1200W	150Lm/W	SMD5050	>70	28.7kg(63.3lbs)	30°/45°/80°

Dimensions(mm)

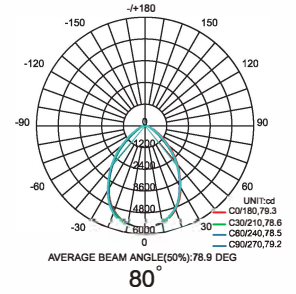
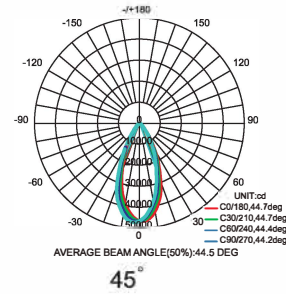
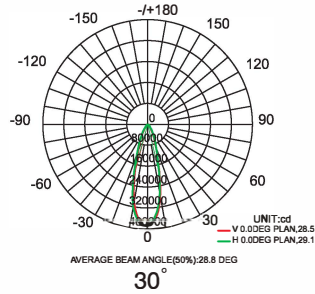
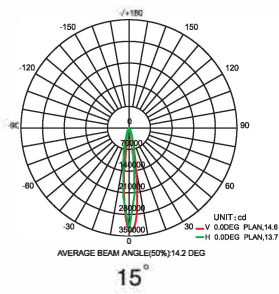


300W/400W/500W/600W-P1A



700W/800W/1000W/1200W-P1A

Photometry



Model Options



P1A -Bracket + Driver cover mounted on the lamp body



P1B -Bracket + Separate remote installation



P1C -Bracket + Driver box mounted on the lamp body



P1D -Bracket + Driver box mounted on the bracket



P2A -Base + Driver box mounted on the lamp body



P2B -Base + Separate remote installation



P2C -Base + Driver box mounted on the bracket



P3A -Slip fitter + Driver box mounted on the lamp body



P3B -Slip fitter + Separate remote installation



P4A -Bracket + Driver cover mounted on the lamp body



P4B -Bracket + Separate remote installation



P4C -Bracket + Driver box mounted on the lamp body



P4D -Bracket + Driver box mounted on the bracket

CIP-FL-07-G9 INFINITY LED Sports Light



Installation and use

Remarks	<p>Brown/Black --- L Blue/White --- N GY --- GND</p>	<p>Caution :Vertical installation is absolutely not permitted.</p>	<p>Caution :When the angle of the luminous surface exceeds 90°, the lamp power is reduced by 20%.</p>
----------------	--	---	--

P1A/P1B/P1C/P1D Bracket

<p>01</p> <table border="1"> <tr> <th>Wattage</th> <th>d1</th> <th>d2</th> <th>d3</th> </tr> <tr> <td>600W</td> <td>220mm</td> <td>25mm</td> <td>50mm</td> </tr> <tr> <td>1200W</td> <td>290mm</td> <td>40mm</td> <td>60mm</td> </tr> </table>	Wattage	d1	d2	d3	600W	220mm	25mm	50mm	1200W	290mm	40mm	60mm	<p>02</p> <p>M16 (Optional)</p>	<p>02-a Only P1D/P4D</p> <p>M8×25 2PCS(standard)</p>	<p>02-b Only P1D/P4D</p> <p>Male Plug Female Plug</p>	<p>03</p> <p>Loosen the M6 hexagon socket screws to adjust beam angle</p>
Wattage	d1	d2	d3													
600W	220mm	25mm	50mm													
1200W	290mm	40mm	60mm													
		<p>04</p> <p>Double protection chain</p>	<p>05</p> <p>Driver AC cable Waterproof connector Electric supply AC power</p>													

Packing Spec

Item	Box			Carton		
	Measurement(mm)	Gross weight	Pcs/box	Measurement(mm)	Gross weight	Pcs/box
FL300W/400W/500W/600W-07-G9-P1A/P4A	635L*525W*395H	21.8kg (48.1lbs)	1	/	/	/
FL300W/400W/500W/600W-07-G9-P1B/P1C/P2A/P2B/P3A/P3B/P4B/P4C	635L*525W*320H	16.0kg (35.3lbs)	1	/	/	/
FL700W/800W/1000W-07-G9-P1A/P1C/P2A/P3A/P4A/P4C	745L*615W*460H	32.4kg (71.4lbs)	1	/	/	/
FL700W/800W/1000W-07-G9-P1B/P2B/P3B/P4B	745L*615W*340H	23.5kg (51.8lbs)	1	/	/	/
FL700W/800W/1000W-07-G9-P1D/P2C/P4D	Lamp: 745L*615W*340H	23.5kg (51.8lbs)	1	/	/	/
	G8 Driver box: 500L*410W*260H	12.5kg (27.6lbs)	1	/	/	/

V23-II