



18mm x 10mm | Min Bend | 24V | 5/10/15W/M | DIMMABLE | Horizontal Bend | 120° Beam | IP67 | -25~60°C | RGB | CRI 90+ | CE | UL US E464546 | 3 years

Item No.

CIP-2835-N-P-10x18mm-5/10/15w-120-24-W/R/G/B/A/P

4040

5/10/15w

96

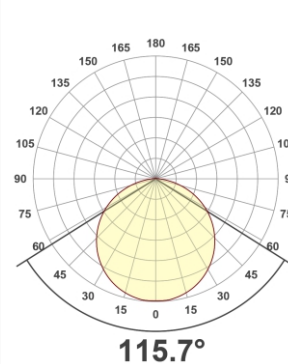
RGB

- Color Option
- LED Qty
- Power Option
- LED Type

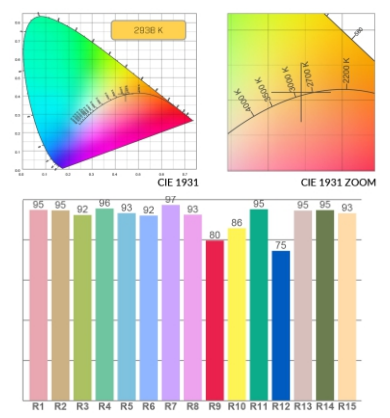
Description

Simply divide into two categories - horizontal & vertical bending
 40mm-300mm bending radius. R/G/B/W/ multiple color
 and digital colors. Standard 24VDC, 12VDC option. The material
 of housing and body are made by silicone material which is special
 designed used in harsh environment. Various shapes (flat, dome or
 rounded surfaces) are available in this series, and they are also
 waterproof (Ip67), ideal for lighting up interior and exterior.

Beam angle



Colour details



CIP-2835NP-10x18mm10W-12024-30K



LIGHT COLOR MODE

Cool White

6000K

Natural White

4000K

Warm White

2100K/2400K/2700K/3000K



Red



Green



Blue



Amber



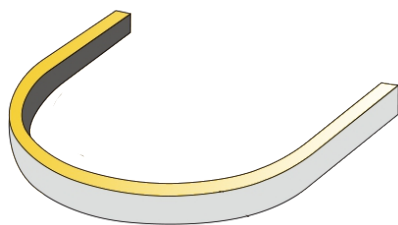
tunable
White



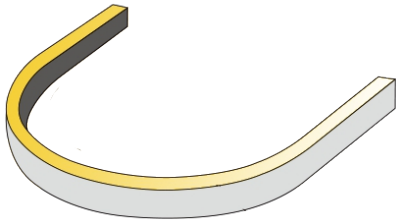
RGB+W



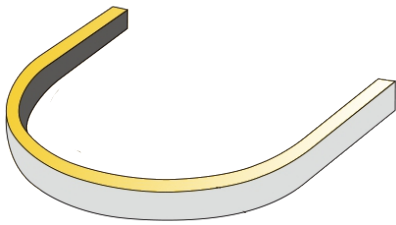
RGB



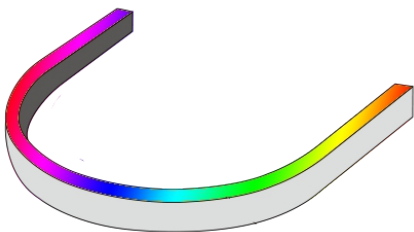
Model:	CIP-2835NP-10x18mm5W-12024-W	Color & Output
Input voltage:	DC24V	<ul style="list-style-type: none"> ● 2100K 141LM/M ● 2400K 138LM/M
Power/m:	5W	<ul style="list-style-type: none"> ● 2700K 160LM/M ● 3000K 163LM/M
LED Type:	EPISTAR SMD2835	<ul style="list-style-type: none"> ● 3500K 170LM/M ● 4000K 178LM/M
LED Qty / meter:	120LEDs	<ul style="list-style-type: none"> ● 5000K 180LM/M ● 6000K 177LM/M
Working Mode:	PWM CV/CC	<ul style="list-style-type: none"> ● Red 67LM/M ● Green 195LM/M
Max Length:	CV 10m; CC 25m	<ul style="list-style-type: none"> ● Blue 35LM/M ● Amber 15LM/M
Cut Length:	50mm	<ul style="list-style-type: none"> ● Pink 75LM/M



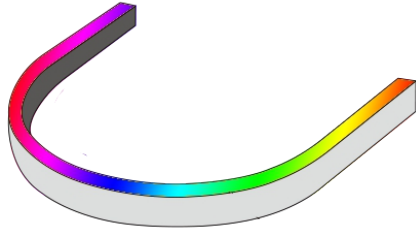
Model:	CIP-2835NP-10x18mm10W-12024-W	Color & Output
Input voltage:	DC24V	<ul style="list-style-type: none"> ● 2100K 276LM/M ● 2400K 273LM/M
Power/m:	10W	<ul style="list-style-type: none"> ● 2700K 312LM/M ● 3000K 328LM/M
LED Type:	EPISTAR SMD2835	<ul style="list-style-type: none"> ● 3500K 327LM/M ● 4000K 356LM/M
LED Qty / meter:	120LEDs	<ul style="list-style-type: none"> ● 5000K 346LM/M ● 6000K 353LM/M
Working Mode:	PWM CV/CC	<ul style="list-style-type: none"> ● Red 145LM/M ● Green 370LM/M
Max Length:	CV 10m; CC 17m	<ul style="list-style-type: none"> ● Blue 65LM/M ● Amber 30LM/M
Cut Length:	50mm	<ul style="list-style-type: none"> ● Pink 148LM/M



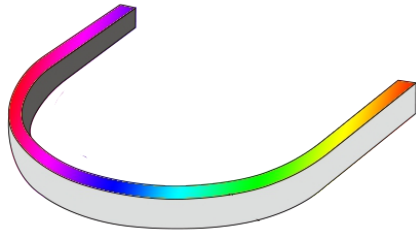
Model:	CIP-2835NP-10x18mm15W-12024-W	Color & Output
Input voltage:	DC24V	<ul style="list-style-type: none"> ● 2100K 376LM/M ● 2400K 371LM/M
Power/m:	15W	<ul style="list-style-type: none"> ● 2700K 420LM/M ● 3000K 440LM/M
LED Type:	EPISTAR SMD2835	<ul style="list-style-type: none"> ● 3500K 452LM/M ● 4000K 484LM/M
LED Qty / meter:	120LEDs	<ul style="list-style-type: none"> ● 5000K 484LM/M ● 6000K 468LM/M
Working Mode:	PWM CV/CC	<ul style="list-style-type: none"> ● Red 192LM/M ● Green 466LM/M
Max Length:	CV 10m; CC 13m	<ul style="list-style-type: none"> ● Blue 93LM/M ● Amber 37LM/M
Cut Length:	50mm	<ul style="list-style-type: none"> ● Pink 195LM/M



Model:	CIP-4040NP-10x18mm5W-9624-RGB	Color & Output
Input voltage:	DC24V	● RGB 16.8LM/M
Power/m:	5W	● RGB 50LM/M
LED Type:	SMD4040	● RGB 9LM/M
LED Qty / meter:	96LEDs	● RGB 77LM/M
Working Mode:	PWM	
Max Length:	CV 5m	
Cut Length:	62.5mm	



Model:	CIP-4040NP-10x18mm10W-9624-RGB	Color & Output
Input voltage:	DC24V	RGB 35.7LM/M
Power/m:	10W	RGB 90.4LM/M
LED Type:	SMD4040	RGB 20.3LM/M
LED Qty / meter:	96LEDs	RGB 152.4LM/M
Working Mode:	PWM	
Max Length:	CV 5m	
Cut Length:	62.5mm	



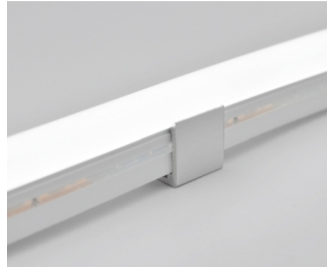
Model:	CIP-4040NP-10x18mm15W-9624-RGB	Color & Output
Input voltage:	DC24V	RGB 51.7LM/M
Power/m:	15W	RGB 108LM/M
LED Type:	SMD4040	RGB 21.3LM/M
LED Qty / meter:	96LEDs	RGB 108LM/M
Working Mode:	PWM	
Max Length:	CV 5m	
Cut Length:	62.5mm	

PROFILES (FIXTURES)



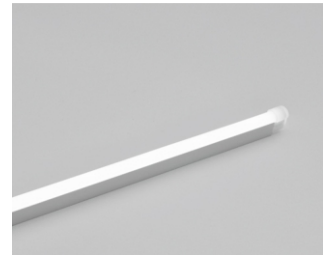
Stainless steel mounting clips
18x10.7x16.7mm

-SS



Aluminium Profile
1000x13x17.5mm

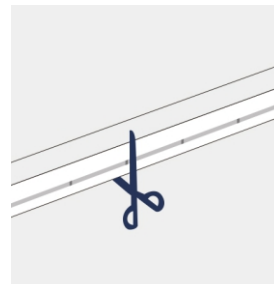
-AL



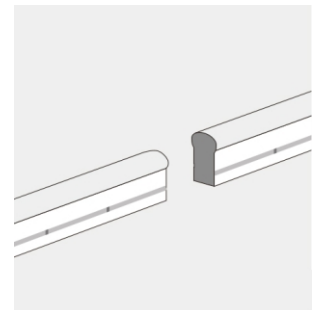
END CAP -EC



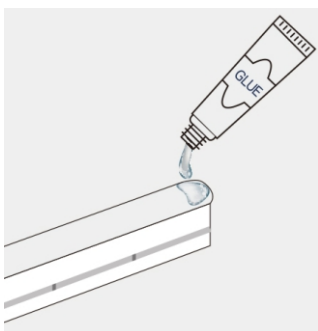
It is feasible to cut along the black point on the side of led strip. Do not cut optionally to avoid damage to led strip..



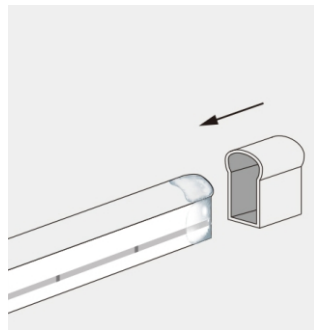
Cut the appropriate place



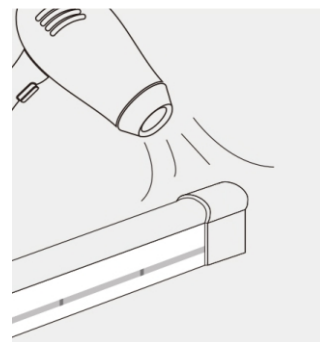
Finished the cutting



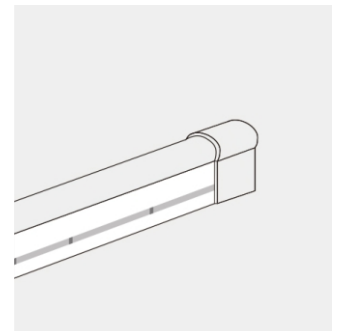
Coat the section with glue uniformly after cutting



Insert the section into the plug according to direction of arrow



Dry the plug with hot wind or natural wind until make sure the installation is firm



The effect of finished plug installation