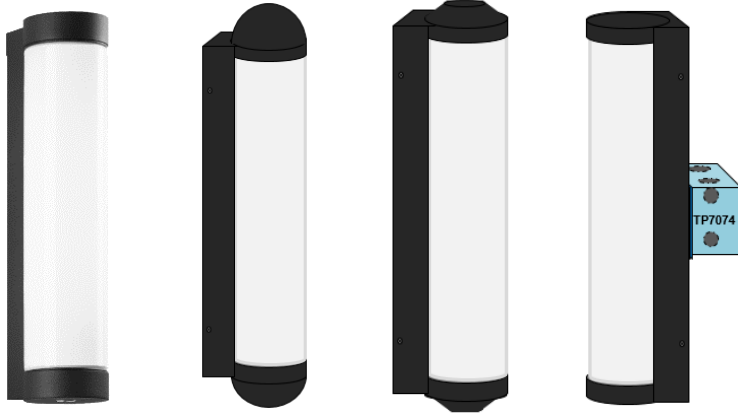


**GTG1208A-MCA95A: LED BULKHEAD LIGHT**

<b>(MCA95A)-[FFS]</b>							
[MTF] Flat Top	[MTD] Dome Top	[MTT] Tilt Top	[FJP]				



**INTRODUCTION**

**FEATURE**

Durable Optimized LED Lighting  
 Skilled Manufacturing Technology  
 Long Lifespan >50,000hours  
 Working Temperature: -30°C~50°C

**MAIN MATERIAL**

LED Brand: SMD (LM80)  
 Driver Brand: GUBO  
 Housing: Pure Aluminum Profile  
 Diffuser: Antiglare Opal PC Diffuser

**INSTALLATION**

[FFS] Surface Mounted: Ceiling, Wall  
 [FJP]: Mounting Plate on Outlet Box  
 Suitable for Architecture Illumination, Like Balcony, Veranda, External Wall...

**STANDARD**

Designed and Manufactured to Comply with  
 TUV/CB/CE/RoHS/SA/Erp/cETL/FCC

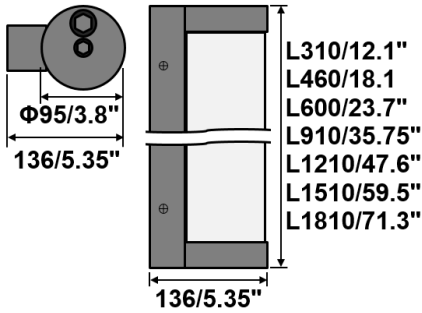
IP65 Protection, Class I & II Electrical

**OPTION**

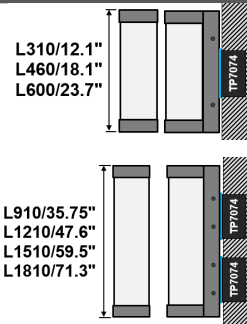
LED CCT: 1,800K~10,000K/R/G/B/Y  
 [CRI]: [E] RA80, [G] RA90, [H] RA97  
 F1: Custom Housing Finish Colors by RAL Code

<b>WHITE</b> RAL9010P	<b>BLACK</b> RAL9005P	<b>DARK GREY</b> RAL7016P	<b>GREY</b> RAL7043P	<b>PEARL GREY</b> RAL9022P
--------------------------	--------------------------	------------------------------	-------------------------	-------------------------------

**DIMENSION: [UNIT: MM]**



**[FJP] TP7074**



**CASE STUDY: (L600)**



MODEL	POWER [W]	LED TYPE	CCT [K]	CRI	FLUX [LM]	POWER FACTOR	BEAM ANGLE	OPTIONAL DIMMING	INPUT [V]
GTG1208A-MCA95A-L310	20W [12W]	180x0.5W SMD2835	H3000K	RA97	1800	>0.9	180°	[CDT]: TRIAC(15%) [CDV]: 0/1~10V(8%) [CDV0]: 0~10V(1%) [CDV1]: 1~10V(15%) [CDX]: DMX512(1%) [CDA]: DALI(1%) [CRZ]: ZIGBEE(1%) [CRF]: 2.4G RF (1%) [CDP]: PWM(1%)	AC100~277V [AC220~240V] [AC100~240V] [AC100~347V] 50/60Hz
			H4000K	RA97	1900				
			H6500K	RA97	1900				
	2C@20W	TWH	H2700K	H6500K	RA97	1800			
4C@20W	RGBW	620nm 520nm 460nm H2700K	\	1800	>0.9				
GTG1208A-MCA95A-L460	30W [20W]	240x0.5W SMD2835	H3000K	RA97	2520	>0.9			
			H4000K	RA97	2660				
			H6500K	RA97	2660				
	2C@30W	TWH	H2700K	H6500K	RA97	2520			
4C@30W	RGBW	620nm 520nm 460nm H2700K	\	2520	>0.9				
GTG1208A-MCA95A-L600	40W [30W]	300x0.5W SMD2835	H3000K	RA97	3600	>0.9			
			H4000K	RA97	3800				
			H6500K	RA97	3800				
	2C@40W	TWH	H2700K	H6500K	RA97	3600	>0.9		
4C@40W	RGBW	620nm 520nm 460nm H2700K	\	3600	>0.9				
GTG1208A-MCA95A-L910	60W [40W]	480x0.5W SMD2835	H3000K	RA97	5400	>0.9			
			H4000K	RA97	5720				
			H6500K	RA97	5720				
	2C@60W	TWH	H2700K	H6500K	RA97	5400	>0.9		
4C@60W	RGBW	620nm 520nm 460nm H2700K	\	5400	>0.9				
GTG1208A-MCA95A-L1210	80W [60W]	600x0.5W SMD2835	H3000K	RA97	7200	>0.9			
			H4000K	RA97	7600				
			H6500K	RA97	7600				
	2C@80W	TWH	H2700K	H6500K	RA97	7200	>0.9		
4C@80W	RGBW	620nm 520nm 460nm H2700K	\	7200	>0.9				
GTG1208A-MCA95A-L1510	100W [80W]	720x0.5W SMD2835	H3000K	RA97	9000	>0.9			
			H4000K	RA97	9500				
			H6500K	RA97	9500				
	2C@100W	TWH	H2700K	H6500K	RA90	9000	>0.9		
4C@100W	RGBW	620nm 520nm 460nm H2700K	\	9000	>0.9				
GTG1208A-MCA95A-L1810	120W [80W]	960x0.5W SMD2835	H3000K	RA97	10800	>0.9			
			H4000K	RA97	11440				
			H6500K	RA97	11440				
	2C@120W	TWH	H2700K	H6500K	RA97	10800	>0.9		
4C@120W	RGBW	620nm 520nm 460nm H2700K	\	10800	>0.9				

**NOTE:**

All parameters are measured at 25°C ambient temperature, 35% humidity experimental environment.  
 Tolerances of power and luminous flux are ±10%, tolerance of color rendering index is ±5.