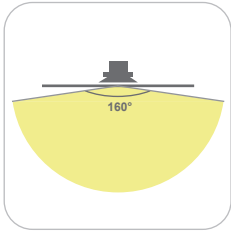




## Specifications

Product Code: CIP-PG230-(wattage)-(LED Color)

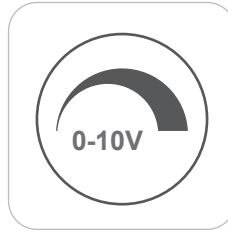
<b>Wattage</b>	30W / 50W(Main) (60W/70W available if in need)
<b>LED Chip</b>	SMD 2835,Samsung or other LED Chips
<b>Driver Brand</b>	Meanwell / SOSEN/ Other Brand
<b>CCT</b>	3000K / 4000K / 5000K / 6000K
<b>Efficiency</b>	130lm/w-140lm/w
<b>AC Input Voltage</b>	100~277V
<b>Light Distribution</b>	160°
<b>Emergency Driver</b>	EM Battery Backup Available
<b>Ambient Temperature</b>	-40°C ~ 45°C(-40°F~113°F)
<b>Dimming</b>	0~10V
<b>Sensors</b>	Microwave sensor (Smart control) Available
<b>Total Harmonic Distortion</b>	<20%
<b>Lifetime</b>	50,000H
<b>IP Rating</b>	IP65
<b>Warranty</b>	5 years



Beaming angle 160°



Anti-glare



0-10V Dimming

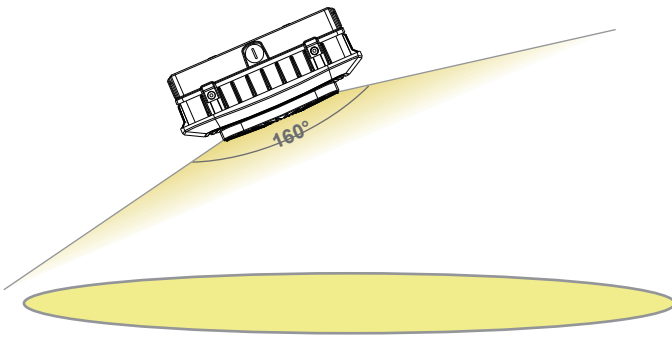


Microwave Sensor

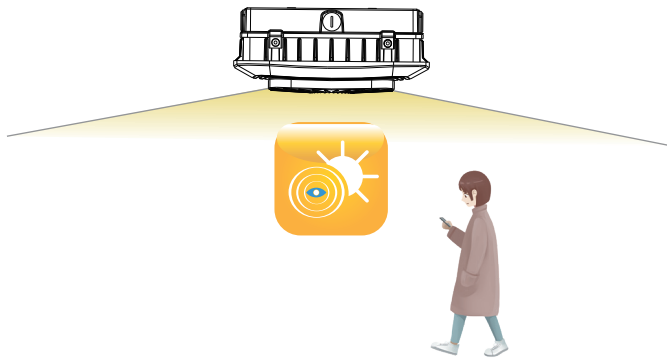


ADC12 Die casting

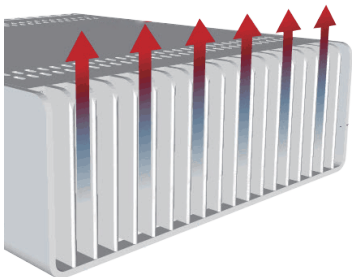
160° light distribution angle, larger irradiation area



Anti-glare, reducing the light pollution and be friend to human eyes



6030 aluminum die casting, fine heat dissipation



**Applications**



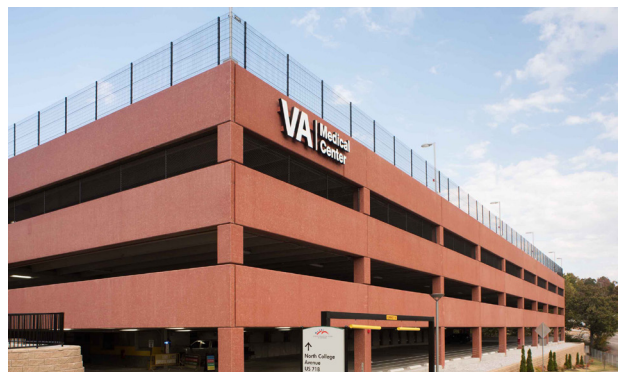
Gas Station



Parking Garage



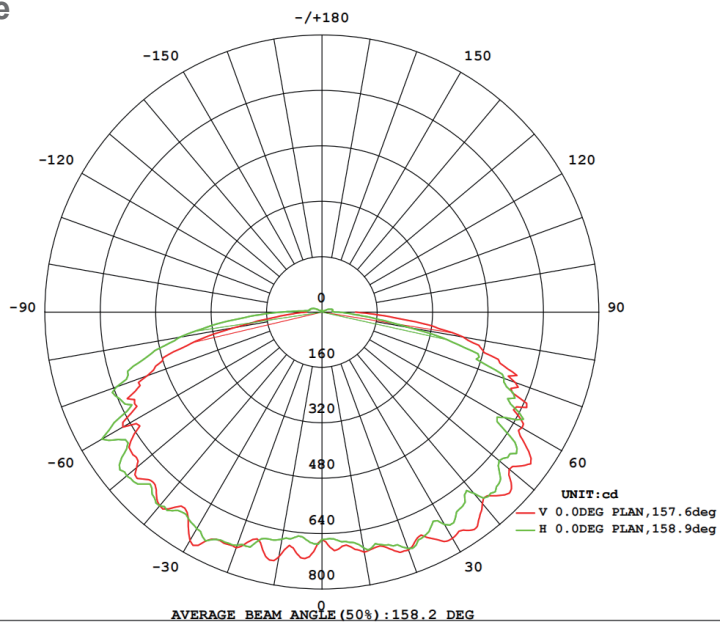
Multi-Level Parking



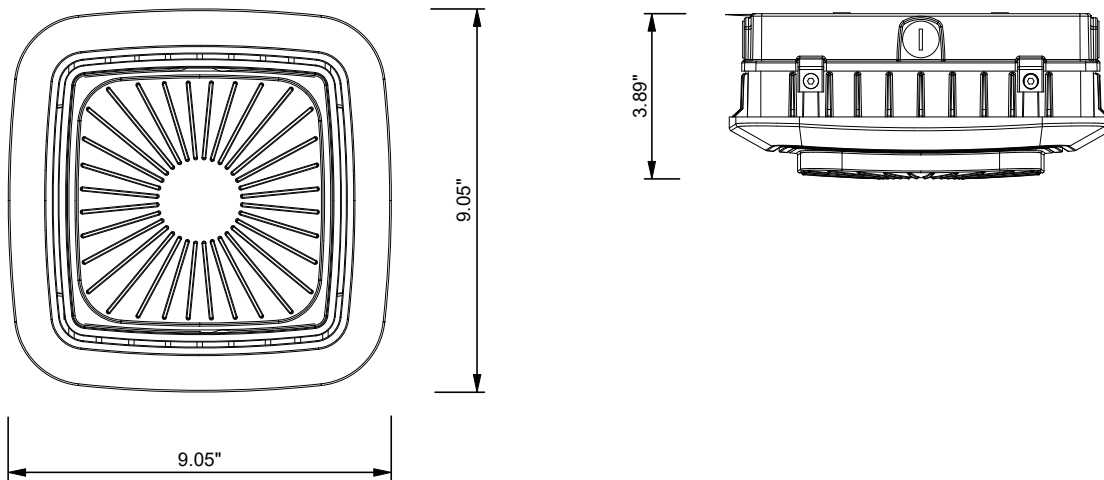
Multi-Level Parking

**Light Distribution**

160 degree

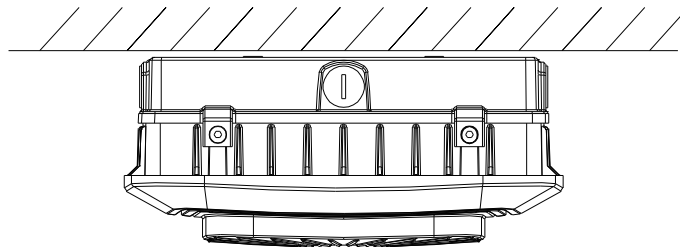


## Product Size

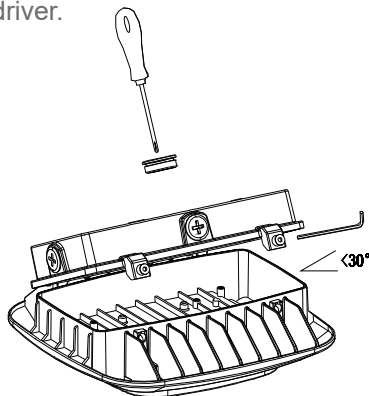


## Installation

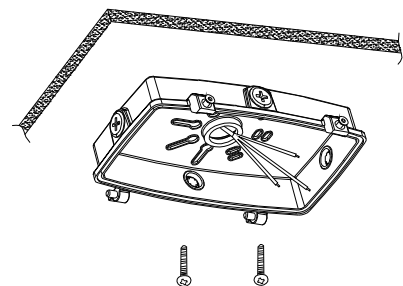
### Ceiling Mounting



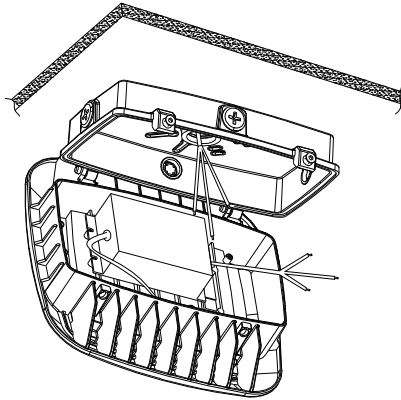
1. Open driver box, separate the back part (driver box cover) from the front part (lamp body), loose 3/4 inch plug on the driver box cover with a screwdriver.



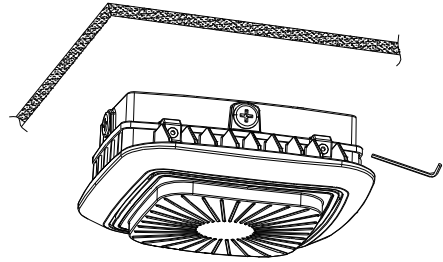
2. Get supply cord through the 3/4 inch hole, then attach driver box cover to ceiling and fix it with customer supplied hardware, take relevant waterproof measures to make sure no water leakage.



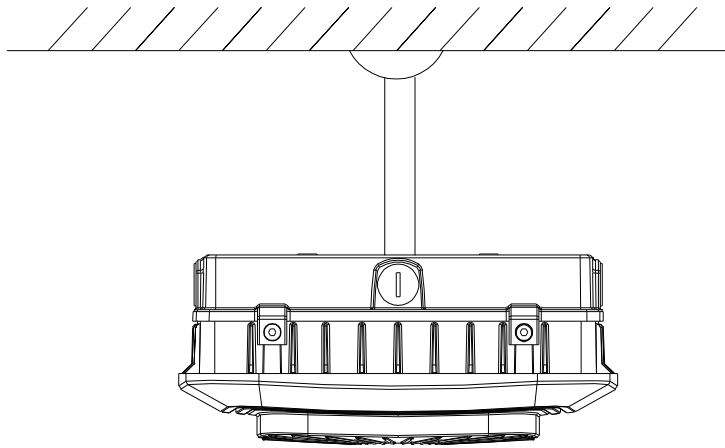
3. Hang the lamp to the driver box cover ,then let it fall naturally , connect the cord to the supply wiring . Set the dimming motion sensor if there is one.



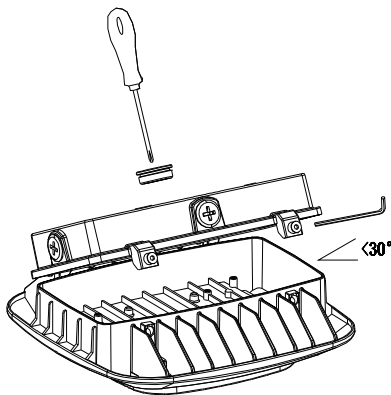
4. Close the fixture and fix the two parts with Allen wrench



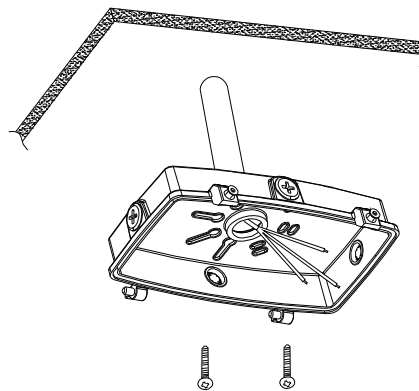
### Pendant Mounting



1. Open driver box, separate the back part (driver box cover) from the front part (lamp body) , loose 3/4 inch plug on the driver box cover with a screwdriver.

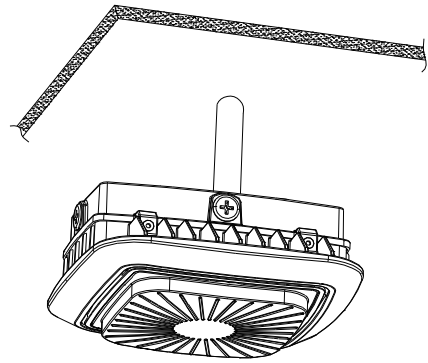
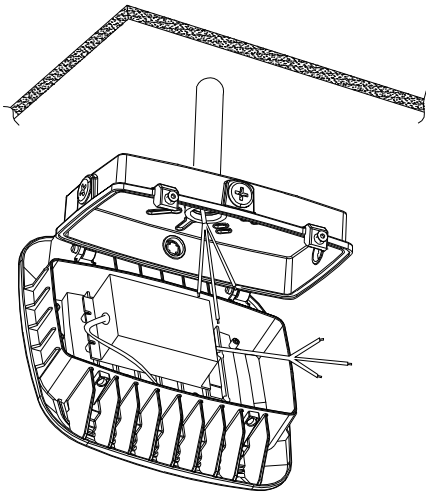


2. Feed power cord thru customer supplied pendant kit, then attach driver box cover to pendant kit , rotate the pendant kit unit it is tighten and locks securely



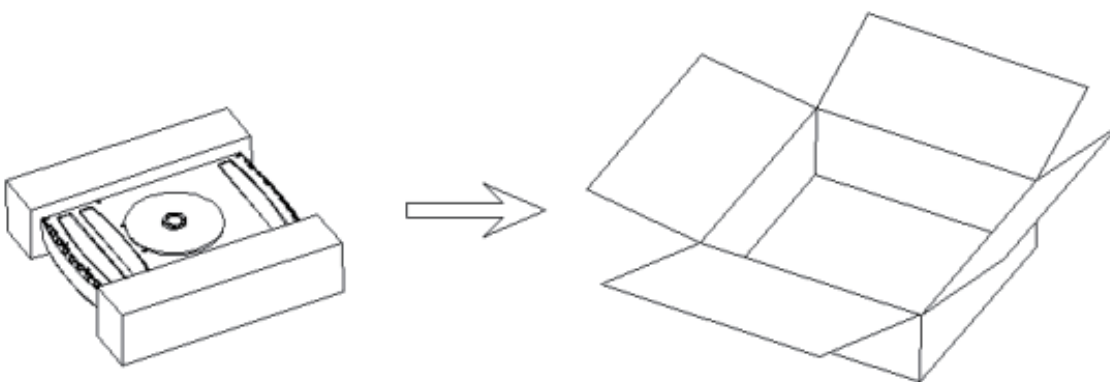
3. Hang the lamp to the driver box cover ,then let it fall naturally , connect the cord to the supply wiring. Set the dimming motion sensor if there is one.

4. Close the fixture and fix the two parts with Allen wrench



## Packaging information

Wattage	Product Dimension(mm/in)	Carton Box Dimension	N.W (Kg/lb)	G.W (Kg/lb)	One Carton
30W	230 x 230 x 98.5 mm 9.06 x 9.06 x 3.88 in	560 x 265 x 280 mm 22.05 x 10.43 x 11.02 in	10.5Kg(23.15lb)	11.2Kg(24.69lb)	1 PCS
50W	230 x 230 x 98.5 mm 9.06 x 9.06 x 3.88 in	560 x 265 x 280 mm 22.05 x 10.43 x 11.02 in	10.9Kg(24.03lb)	11.7Kg(25.79lb)	1 PCS



CIP Lighting 803-766-0243 info@ciplighting.com www.ciplighting.com

roy