



Item No.

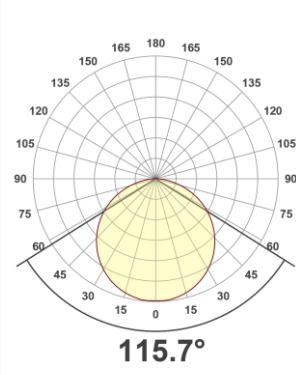
CIP-2835-N-P-12x25mm-5/10/15w-120-24-W/R/G/B/A/P  
 4040 5/10/15w 96 RGB  
 5060 5/10/15w 96 RGBW

- Color Option
- LED Qty
- Power Option
- LED Type

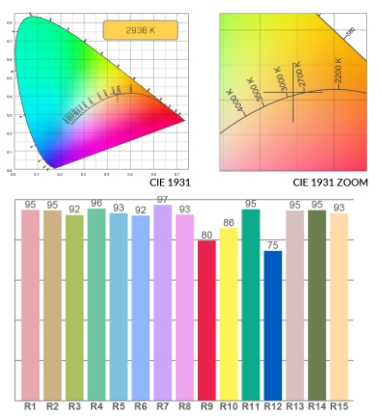
### Description

Simply divide into two categories - horizontal & vertical bending  
 40mm-300mm bending radius. R/G/B/W/ multiple color  
 and digital colors. Standard 24VDC, 12VDC option. The material  
 of housing and body are made by silicone material which is special  
 designed used in harsh environment. Various shapes (flat, dome or  
 rounded surfaces) are available in this series, and they are also  
 waterproof (Ip67), ideal for lighting up interior and exterior.

### Beam angle



### Colour details





# LIGHT COLOR MODE

## Cool White

6000K

## Natural White

4000K

## Warm White

2100K/2400K/2700K/3000K



Red



Green



Blue



Amber



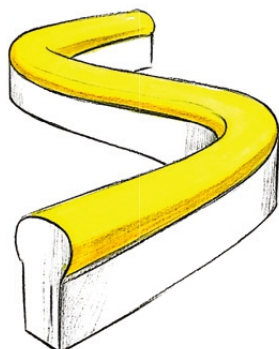
tunable  
White



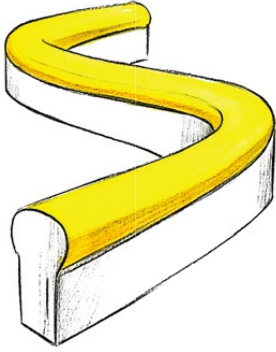
RGB+W



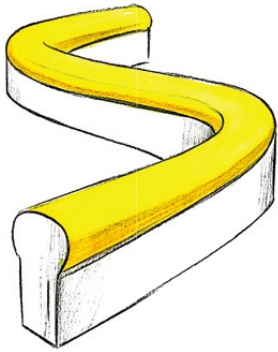
RGB



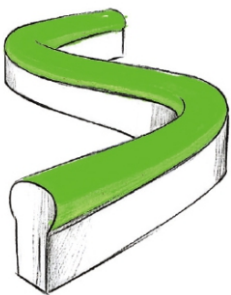
Model:	CIP-2835NP-12x25mm5W-12024-W	Color & Output
Input voltage:	DC24V	<ul style="list-style-type: none"> <li>● 2100K 124LM/M</li> <li>● 2400K 139LM/M</li> </ul>
Power/m:	5W	<ul style="list-style-type: none"> <li>● 2700K 146LM/M</li> <li>● 3000K 144LM/M</li> </ul>
LED Type:	EPISTAR SMD2835	<ul style="list-style-type: none"> <li>● 3500K 153LM/M</li> <li>● 4000K 160LM/M</li> </ul>
LED Qty / meter:	120LEDs	<ul style="list-style-type: none"> <li>● 5000K 153LM/M</li> <li>● 6000K 159LM/M</li> </ul>
Working Mode:	PWM CV/CC	<ul style="list-style-type: none"> <li>● Red 56LM/M</li> <li>● Green 181LM/M</li> </ul>
Max Length:	CV 10m; CC 27m	<ul style="list-style-type: none"> <li>● Blue 32LM/M</li> <li>● Amber 50LM/M</li> </ul>
Cut Length:	50mm	<ul style="list-style-type: none"> <li>● Pink 65LM/M</li> </ul>



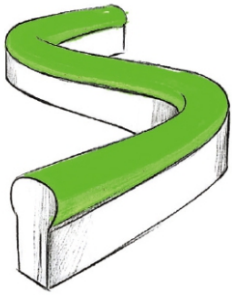
Model:	CIP-2835NP-12x25mm10W-12024-W	Color & Output
Input voltage:	DC24V	<ul style="list-style-type: none"> <li>● 2100K 237LM/M</li> <li>● 2400K 270LM/M</li> </ul>
Power/m:	10W	<ul style="list-style-type: none"> <li>● 2700K 286LM/M</li> <li>● 3000K 286LM/M</li> </ul>
LED Type:	EPISTAR SMD2835	<ul style="list-style-type: none"> <li>● 3500K 304LM/M</li> <li>● 4000K 318LM/M</li> </ul>
LED Qty / meter:	120LEDs	<ul style="list-style-type: none"> <li>● 5000K 301LM/M</li> <li>● 6000K 313LM/M</li> </ul>
Working Mode:	PWM CV/CC	<ul style="list-style-type: none"> <li>● Red 123LM/M</li> <li>● Green 340LM/M</li> </ul>
Max Length:	CV 10m; CC 17m	<ul style="list-style-type: none"> <li>● Blue 61LM/M</li> <li>● Amber 102LM/M</li> </ul>
Cut Length:	50mm	<ul style="list-style-type: none"> <li>● Pink 131LM/M</li> </ul>



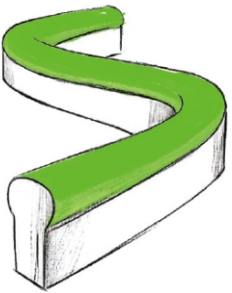
Model:	CIP-2835NP-12x25mm15W-12024-W	Color & Output
Input voltage:	DC24V	<ul style="list-style-type: none"> <li>● 2100K 332LM/M</li> <li>● 2400K 382LM/M</li> </ul>
Power/m:	15W	<ul style="list-style-type: none"> <li>● 2700K 400LM/M</li> <li>● 3000K 395LM/M</li> </ul>
LED Type:	EPISTAR SMD2835	<ul style="list-style-type: none"> <li>● 3500K 428LM/M</li> <li>● 4000K 441LM/M</li> </ul>
LED Qty / meter:	120LEDs	<ul style="list-style-type: none"> <li>● 5000K 423LM/M</li> <li>● 6000K 436LM/M</li> </ul>
Working Mode:	PWM CV/CC	<ul style="list-style-type: none"> <li>● Red 172LM/M</li> <li>● Green 426LM/M</li> </ul>
Max Length:	CV 10m; CC 14m	<ul style="list-style-type: none"> <li>● Blue 86LM/M</li> <li>● Amber 126LM/M</li> </ul>
Cut Length:	50mm	<ul style="list-style-type: none"> <li>● Pink 175LM/M</li> </ul>



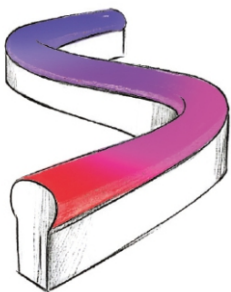
Model:	CIP-4040NP-12x25mm5W-9624-RGB	Color & Output
Input voltage:	DC24V	● RGB 13.9LM/M
Power/m:	5W	● RGB 46.8LM/M
LED Type:	SMD4040	● RGB 10LM/M
LED Qty / meter:	96LEDs	● RGB 70.4LM/M
Working Mode:	PWM	
Max Length:	CV 5m	
Cut Length:	62.5mm	



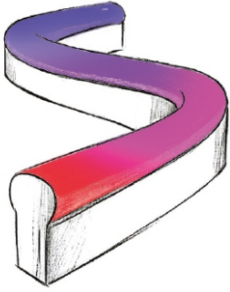
Model:	CIP-4040NP-12x25mm10W-9624-RGB	Color & Output
Input voltage:	DC24V	RGB 29.1LM/M
Power/m:	10W	RGB 86.3LM/M
LED Type:	SMD4040	RGB 16.6LM/M
LED Qty / meter:	96LEDs	RGB 131.6LM/M
Working Mode:	PWM	
Max Length:	CV 5m	
Cut Length:	62.5mm	



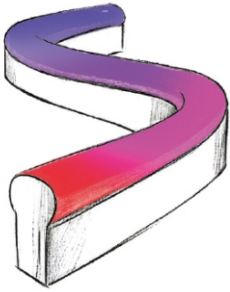
Model:	CIP-4040NP-12x25mm15W-9624-RGB	Color & Output
Input voltage:	DC24V	RGB 44.5LM/M
Power/m:	15W	RGB 102LM/M
LED Type:	SMD4040	RGB 20.2LM/M
LED Qty / meter:	96LEDs	RGB 161.2LM/M
Working Mode:	PWM	
Max Length:	CV 5m	
Cut Length:	62.5mm	



Model:	CIP-5060NP-12x25mm5W-9624-RGBW	Color & Output
Input voltage:	DC24V	RGB 9LM/M
Power/m:	5W	RGB 36.7LM/M
LED Type:	SMD5060	RGB 8.5LM/M
LED Qty / meter:	96LEDs	RGBW 38LM/M
Working Mode:	PWM	RGBW 91.7LM/M
Max Length:	CV 5m	
Cut Length:	62.5mm	



Model:	CIP-5060NP-12x25mm10W-9624-RGBW	Color & Output
Input voltage:	DC24V	RGB 16.6LM/M
Power/m:	10W	RGB 65.6LM/M
LED Type:	SMD5060	RGB 16.5LM/M
LED Qty / meter:	96LEDs	RGBW 84LM/M
Working Mode:	PWM	RGBW 180.8LM/M
Max Length:	CV 5m	
Cut Length:	62.5mm	



Model:	CIP-5060NP-12*25mm15W-9624-RGBW	Color & Output
Input voltage:	DC24V	RGB 29.5LM/M
Power/m:	15W	RGB 82.2LM/M
LED Type:	SMD5060	RGB 22.4LM/M
LED Qty / meter:	96LEDs	RGBW 112.8LM/M
Working Mode:	PWM	RGBW 254.7LM/M
Max Length:	CV 5m	
Cut Length:	62.5mm	

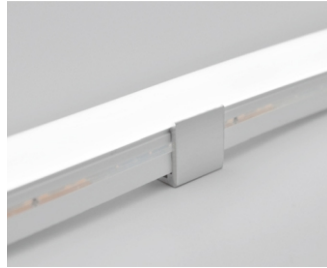
---

# PROFILES (FIXTURES)



Stainless steel mounting clips  
20x15x18.4mm

**-SS**



Aluminium Profile  
1000x15x18.4mm

**-AL**

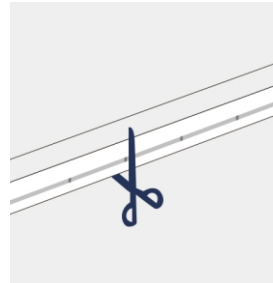


---

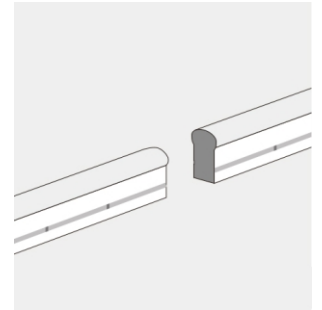
# END CAP -EC



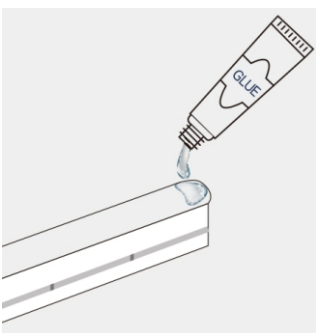
It is feasible to cut along the black point on the side of led strip. Do not cut optionally to avoid damage to led strip..



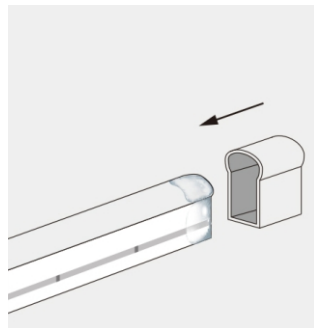
Cut the appropriate place



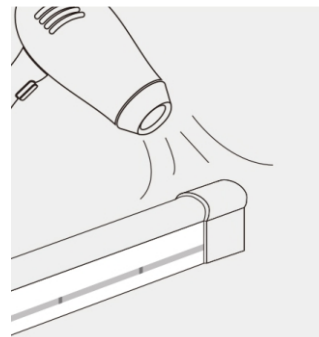
Finished the cutting



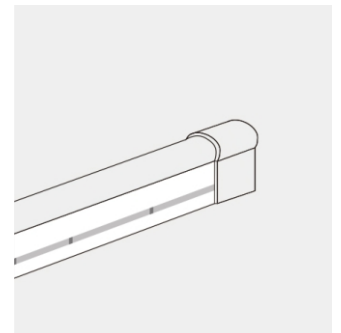
Coat the section with glue uniformly after cutting



Insert the section into the plug according to direction of arrow



Dry the plug with hot wind or natural wind until make sure the installation is firm



The effect of finished plug installation