

INTRODUCTION

GTG3611E: LED WALL LIGHT

FEATURE

Advanced LED Lighting Technology
 Create a Variety of Facade Lighting
 Fantastic Architecture Decoration
 Long Lifespan > 50,000hours

[FWA]	[FRF]	[FJP]	[FFS]				

MAIN MATERIAL

LED Brand: GUBO
 Driver Brand: GUBO
 Housing: Die-casted Aluminum Housing
 Optics: High Efficiency PC Lens

INSTALLATION

Suitable for Balcony, Veranda, External Wall.....
 [FFS]: Flush [FWA]: Wall Surface Mounted
 [FRF]: Semi flush recessed
 [FJP]: Custom Fixing Plate on Outlet Box

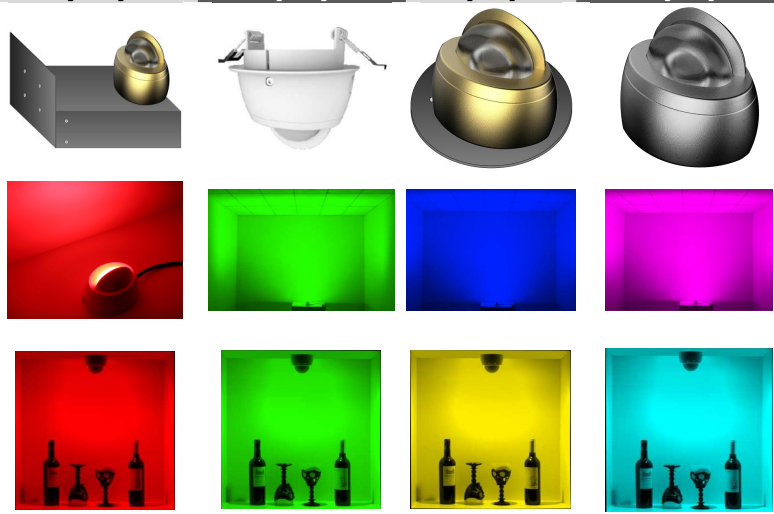
STANDARD

Designed and Manufactured to Comply with
 CE/RoHS/ETL/FCC/SAA
 IP65 Protection, Class III Electric

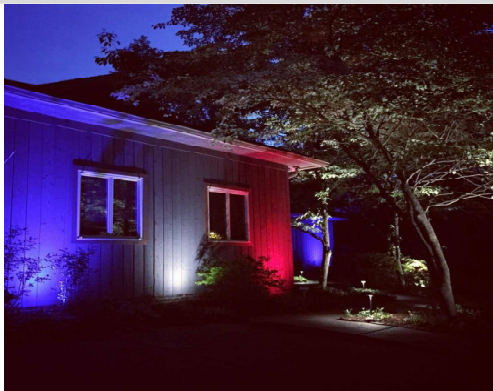
CUSTOM OPTION

LED CCT: 1,800K~10,000K/R/G/B/Y
 [CRI]: [E] RA80, [G] RA90, [H] RA97
 [PCW-FM]: Male&Female Waterproof Connector
 [SFH] Custom Housing Finish Color by RAL

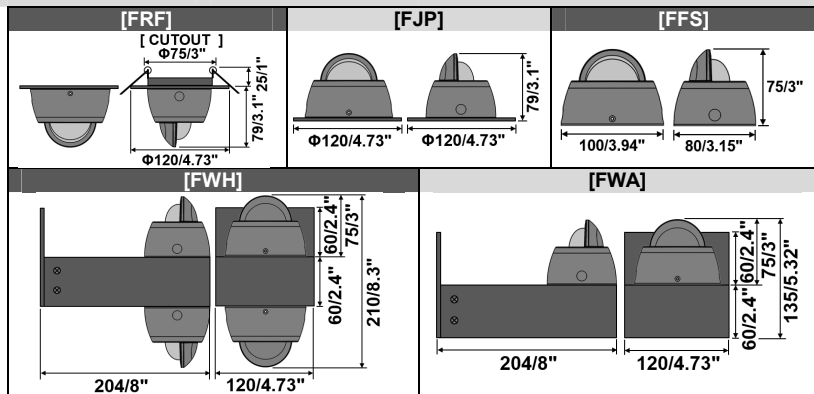
WHITE RAL9010P	BLACK RAL9005P	GREY RAL7042P	DARK GREY RAL7016P	BRASS RAL1024P
--------------------------	--------------------------	-------------------------	------------------------------	--------------------------



CASE STUDY:



DIMENSION: [UNIT: MM]



[FBB] Base Junction Box Dimensions: 135/5.32", 75/3", Φ125/4.92"	[FBB]-[FBS] Base JBox & Spike Dimensions: 135/5.32", 75/3", Φ125/4.92" L160A: 160/6.3" L210A: 210/8.3" L265A: 265/10.5" L400A: 15.8" L500A: 19.7" L600A: 23.7"	[PSA] Bollard Dimensions: 75/3", Φ125/4.92" L210/8.3" L510/20" L810/31.9" L1110/43.7" [CUSTOM]
[JUNCTION BOX IP65] JBD101A Dimensions: 100/3.94", 60/2.36", 9.5(3/8") JBD101A2: 100/3.94" (1-in and 1-out) JBD101A3: 100/3.94" (1-in and 2-out) JBD101A4: 100/3.94" (2-in and 2-out)	[JUNCTION BOX IP67] JBD201A2 Dimensions: 60/2.36", 60/2.36", 9.5(3/8") JBD201A2: 250/9.84" (1-in and 1-out)	[JUNCTION BOX IP67] JBD201[BGB] / JBD201B4 Dimensions: 100/3.94", 60/2.36", 9.5(3/8") JBD201B3: 250/9.84" (1-in and 2-out) JBD201B4: 250/9.84" (2-in and 2-out)

MODEL	POWER [W]	LED TYPE	CCT [K]		CRI	FLUX [LM]	POWER FACTOR	BEAM ANGLE	REMOTE CONTROL	INPUT [V]	
GTG3611E	6W	3x5W SMD3535	G2700K	RA90	150	> 0.9	[Polarized] BLP:20°x180°	[Following by Remote Driver]	[CDP]:PWM(1%) [CDT]:TRIAC(15%) [CDV0]:0~10V(1%) [CDX]:DMX512(1%) [CDA]:DALI(1%) [CRZ]:Zigbee(1%) [CRB]:Bluetooth(1%) [CRF]:2.4G RF(1%)	+DC24V [DC12V]	
			G3000K	RA90	160						
			G3500K	RA90	160						
			G4000K	RA90	200						
			G5000K	RA90	200						
			G5700K	RA90	200						
	2C@6W	TWG	G2700K	G6500K	RA90	150	> 0.9	[Polarized] BLP:30°x200°			
	3C@6W	RGB	620nm	520nm	455nm	\	150			> 0.9	
	4C@6W	RGBW	620nm	520nm	455nm	G2700K	\			150	> 0.9
	4C@6W	RGBA	620nm	520nm	455nm	590nm	\			150	> 0.9

NOTE:

All parameters are measured at 25°C ambient temperature, 35% humidity experimental environment.
 Tolerances of power and luminous flux are ±10%, tolerance of color rendering index is ±5.