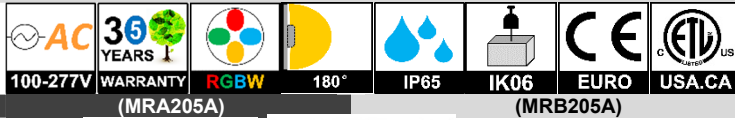


GTG1113F: LED BULKHEAD LIGHT

INTRODUCTION



FEATURE

Durable Optimized LED Lighting
 Long Lifespan >50,000hours
 Working Temperature: -30°C~50°C

MAIN MATERIAL

LED Brand: GUBO
 Driver Brand: GUBO
 Housing: Die-casted Aluminum
 Diffuser: Anti-UV Opal PC Diffuser

INSTALLATION

Surface Mounted: Ceiling, Wall, Pillar-top
 Suitable for Architecture Illumination, Like Balcony, Veranda, External Wall...

STANDARD

Designed and Manufactured to Comply with
 TUV/CB/CE/RoHS/SA/Erp/cETL/FCC
 IP65 Protection, Class I Electrical

OPTION

LED CCT: 1,800K~10,000K/R/G/B/Y
 [CRI]: [E] RA80, [G] RA90, [H] RA97
 [FJP]: Mounting Plate on Outlet Box
 [CSMD]: Bi-level Daylight Harvest Microwave Sensor
 F1: Custom Housing Finish Colors by RAL Code

| WHITE | BLACK | DARK GREY | GREY | PEARL GREY |
|----------|----------|-----------|----------|------------|
| RAL9010P | RAL9005P | RAL7016P | RAL7043P | RAL9022P |
| | | | | |



| MODEL | POWER [W] | LED TYPE | CCT [K] | CRI | FLUX [LM] | POWER FACTOR | BEAM ANGLE | OPTIONAL DIMMING | INPUT [V] |
|--------------------------|-----------------|--------------------------------|--------------------------|------|-----------|--------------|------------|--|---|
| GTG1113F-MRA205A-MRB205A | 20W [12W] | 96x0.5W SMD2835 | G2700K | RA90 | 1850 | >0.9 | 180° | [CDN]:Non-dimmable [CDT]:TRIAC(10%) [CDV]:0/1~10V(8%) [CDV0]:0~10V(1%) [CDV1]:1~10V(10%) [CDA]:DALI(1%) [+CDP]:PWM(1%) Following by Remote Driver [CDX]:DMX512(1%) [CRZ]:ZIGBEE(1%) [CRF]:2.4G RF(1%) [CRB]:Bluetooth(1%) [CDS]:SPI(1%) Following [Sensor] [CSL]: Photocell Lux Sensor [CSM]: Micro Motion Sensor [CSMD]: Bi-level Microwave Motion Sensor | AC100~277V [AC220~240V] [AC100~240V] [AC100~347V] 50/60Hz |
| | | | G3000K | RA90 | 1960 | | | | |
| | | | G3500K | RA90 | 1960 | | | | |
| | | | G4000K | RA90 | 2120 | | | | |
| | | | G5000K | RA90 | 2120 | | | | |
| | | | G5700K | RA90 | 2120 | | | | |
| | G6500K | RA90 | 2060 | | | | | | |
| | 2C@20W | TWG | G2700K G6500K | RA90 | 1850 | >0.9 | | | |
| | 3C@20W | RGB | 620nm 520nm 460nm | \ | 1360 | >0.9 | | | |
| | 4C@20W | RGBW | 620nm 520nm 460nm G2700K | \ | 1850 | >0.9 | | | |
| 5C@20W | RGBTW | 620nm 520nm 460nm G2700KG6500K | \ | 1850 | >0.9 | | | | |
| GTG1113F-MRA356A-MRB356B | 30W [20W] [12W] | 144x0.5W SMD2835 | G2700K | RA90 | 2600 | >0.9 | 180° | | [CV DC12V] [CV DC24V] [CV DC42V] |
| | | | G3000K | RA90 | 2740 | | | | |
| | | | G3500K | RA90 | 2740 | | | | |
| | | | G4000K | RA90 | 2960 | | | | |
| | | | G5000K | RA90 | 2960 | | | | |
| | | | G5700K | RA90 | 2960 | | | | |
| | G6500K | RA90 | 2890 | | | | | | |
| | 2C@30W | TWG | G2700K G6500K | RA90 | 2600 | >0.9 | | | |
| | 3C@30W | RGB | 620nm 520nm 460nm | \ | 1900 | >0.9 | | | |
| | 4C@30W | RGBW | 620nm 520nm 460nm G2700K | \ | 2600 | >0.9 | | | |
| 5C@30W | RGBTW | 620nm 520nm 460nm G2700KG6500K | \ | 2600 | >0.9 | | | | |

NOTE:

All parameters are measured at 25°C ambient temperature, 35% humidity experimental environment.
 Tolerances of power and luminous flux are ±10%, tolerance of color rendering index is ±5.

GTG1113F: LED BULKHEAD LIGHT

INTRODUCTION

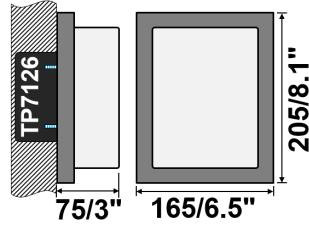
[FFS] Flush Surface Mounted Light

DIMENSION: [UNIT: MM]

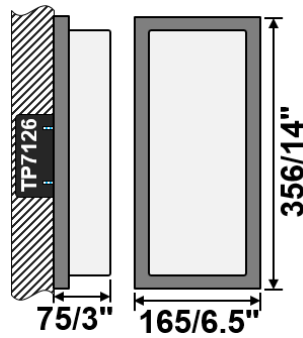
NOTES: Custom Installation and Accessories Referred to Another Catalogue of Fixing Kits.

MRA205A-[FFS]

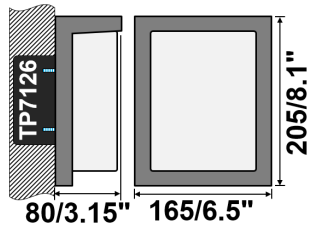
CASE STUDY:



MRA356A-[FFS]



MRB205A-[FFS]



MRB356A-[FFS]

