

GTG5027B-MS: LED GARDEN LIGHT

100-277V	WARRANTY	SMD3030	30°/60°/90°/120° T2/T3/T4/T5	IP65	IK08	EURO	USA.CA
Wall (MWA)	Bollard (MTB)	[GS] Bollard (GS-MTB)	Tall Bollard (MTB)	Post (MTP)			



INTRODUCTION

FEATURE

Upgrade Optimized Anti-glare Garden Lighting
 Easy Installation and Maintenance
 Low-glare Uniform Light Distribution
 Long Lifespan > 50,000hours
 Working Temperature: -30°C~50°C

MAIN MATERIAL

LED Brand: GUBO
 Driver Brand: GUBO
 Housing: Die-casted Aluminum
 Optics: High Efficiency PC Lens
 Diffuser: Clear Glass Diffuser

INSTALLATION

[MWA]: Wall Surface Mounted, Available on 4" JBOX
 [MTB]: Bollard, Solid Ground Mounted
 [MTP]: Post, Solid Ground Mounted
 Suitable for Road Light, like Street, Park.....

STANDARD

Designed and Manufactured to Comply with
 CE/RoHS/CB/cETL/SAA Standard
 Withstand Voltage: 3.75KV, Surge: 6KV
 IP65 Protection, Class I Electric

OPTION

LED CCT: 1700K/2200K/2700K/3500K/5000K
 [CRI]: [E] Ra80, [G] Ra90, [H] Ra97
 [CSL]: Photocell Lux Sensor
 [GS]: One Side with Glare Shield
 Custom Housing Finish: Colors by RAL Code

WHITE	BLACK	GREY	DARK GREY	BRASS
RAL9010P	RAL9005P	RAL7042P	RAL7016P	RAL1024P


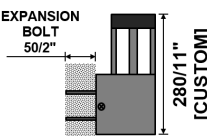

MODEL	POWER [W]	LED TYPE	CCT [K]	CRI	FLUX [LM]	POWER FACTOR	BEAM ANGLE	OPTIONAL DIMMING	INPUT [V]				
GTG5027B-MS120A-MTB-GS-MTB	12W	24x2W SMD3030	G2700K	RA90	720	> 0.9	T2M:V65xH100° T3M:V80xH100° T4M:V85xH100°	[SENSOR] [CSL]:Lux Sensor	*AC100~277V [AC100~240V] [AC100~347V] 50/60Hz [CV DC12V] [+CV DC24V] [CV DC36V] [CV DC48V]				
			G3000K	RA90	780								
			G3500K	RA90	780								
			G4000K	RA90	840								
			G5000K	RA90	840								
			G6500K	RA90	820								
	2C@12W	TWG	G2700K	G6500K	RA90	580				> 0.6			
	4C@12W	RGBWG	620nm	520nm	465nm	G2700K				\	580	> 0.5	
	4C@12W	RGBA	620nm	520nm	465nm	590nm				\	580	> 0.5	
	GTG5027B-MS160A-MTB-GS-MTB	20W	24x2W SMD3030	G2700K	RA90	1210				> 0.9	T2M:V65xH100° T3M:V80xH100° T4M:V85xH100°	[SENSOR] [CSL]:Lux Sensor	*AC100~277V [AC100~240V] [AC100~347V] 50/60Hz [CV DC12V] [+CV DC24V] [CV DC36V] [CV DC48V]
				G3000K	RA90	1300							
				G3500K	RA90	1300							
G4000K				RA90	1400								
G5000K				RA90	1400								
G6500K				RA90	1370								
2C@20W		TWG	G2700K	G6500K	RA90	1050	> 0.7						
4C@20W		RGBWG	620nm	520nm	465nm	G2700K	\	1050	> 0.6				
4C@20W		RGBA	620nm	520nm	465nm	590nm	\	1050	> 0.6				
GTG5027B-MS200A-MTB-GS-MTB		30W [20W]	48x2W SMD3030	G2700K	RA90	1820	> 0.9	T2M:V65xH100° T3M:V80xH100° T4M:V85xH100°	[SENSOR] [CSL]:Lux Sensor	*AC100~277V [AC100~240V] [AC100~347V] 50/60Hz [CV DC12V] [+CV DC24V] [CV DC36V] [CV DC48V]			
				G3000K	RA90	1960							
				G3500K	RA90	1960							
	G4000K			RA90	2100								
	G5000K			RA90	2100								
	G6500K			RA90	2060								
	2C@30W	TWG	G2700K	G6500K	RA90	1520	> 0.6						
	4C@30W	RGBWG	620nm	520nm	465nm	G2700K	\				1520	> 0.5	
	4C@30W	RGBA	620nm	520nm	465nm	590nm	\				1520	> 0.5	
	GTG5027B-MS240A-MTB-GS-MTB	40W	48x2W SMD3030	G2700K	RA90	2420	> 0.9				T2M:V65xH100° T3M:V80xH100° T4M:V85xH100°	[SENSOR] [CSL]:Lux Sensor	*AC100~277V [AC100~240V] [AC100~347V] 50/60Hz [CV DC12V] [+CV DC24V] [CV DC36V] [CV DC48V]
				G3000K	RA90	2620							
				G3500K	RA90	2620							
G4000K				RA90	2800								
G5000K				RA90	2800								
G6500K				RA90	2750								
2C@40W		TWG	G2700K	G6500K	RA90	2050	> 0.7						
4C@40W		RGBWG	620nm	520nm	465nm	G2700K	\	2050	> 0.6				
4C@40W		RGBA	620nm	520nm	465nm	590nm	\	2050	> 0.6				
GTG5027B-MS280A-MTB-GS-MTB		40W	48x2W SMD3030	G2700K	RA90	2420	> 0.9	T2M:V65xH100° T3M:V80xH100° T4M:V85xH100°	[SENSOR] [CSL]:Lux Sensor	*AC100~277V [AC100~240V] [AC100~347V] 50/60Hz [CV DC12V] [+CV DC24V] [CV DC36V] [CV DC48V]			
				G3000K	RA90	2620							
				G3500K	RA90	2620							
	G4000K			RA90	2800								
	G5000K			RA90	2800								
	G6500K			RA90	2750								
	2C@40W	TWG	G2700K	G6500K	RA90	2100	> 0.6						
	4C@40W	RGBWG	620nm	520nm	465nm	G2700K	\				2100	> 0.5	
	4C@40W	RGBA	620nm	520nm	465nm	590nm	\				2100	> 0.5	
	GTG5027B-MS320A-MTB-GS-MTB	60W [50W]	96x2W SMD3030	G2700K	RA90	3680	> 0.9				T2M:V65xH100° T3M:V80xH100° T4M:V85xH100°	[SENSOR] [CSL]:Lux Sensor	*AC100~277V [AC100~240V] [AC100~347V] 50/60Hz [CV DC12V] [+CV DC24V] [CV DC36V] [CV DC48V]
				G3000K	RA90	3960							
				G3500K	RA90	3960							
G4000K				RA90	4250								
G5000K				RA90	4250								
G6500K				RA90	4160								
2C@50W		TWG	G2700K	G6500K	RA90	2810	> 0.7						
4C@50W		RGBWG	620nm	520nm	465nm	G2700K	\	2810	> 0.6				
4C@50W		RGBA	620nm	520nm	465nm	590nm	\	2810	> 0.6				



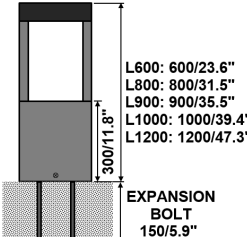

NOTE:


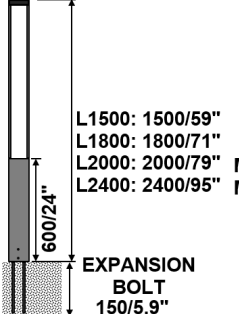

All parameters are measured at 25°C ambient temperature, 35% humidity experimental environment.
 Tolerances of power and luminous flux are ±10%, tolerance of color rendering index is ±5.


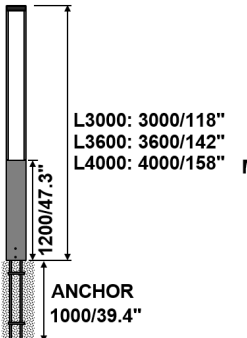
GTG5027B: LED GARDEN LIGHT

SPECIFICATION

[MWA]: Wall Light	DIMENSION [UNIT: MM]	CASE STUDY: MR150D-MWA
	 <p>MS120A:S120/4.8" MS160A:S160/6.3" MS200A:S200/7.9"</p> <p>MS120A:S150/5.9" MS160A:S200/7.9" MS200A:S250/9.8"</p>	

[MTB]: Bollard	DIMENSION [UNIT: MM]	CASE STUDY: MR120A-MTB-L1000
<p>Bollard (MTB)</p>  <p>[GS] Bollard (GS-MTB)</p> 	 <p>L600: 600/23.6" L800: 800/31.5" L900: 900/35.5" L1000: 1000/39.4" L1200: 1200/47.3"</p> <p>MS120A:S120/4.8" MS160A:S160/6.3" MS200A:S200/7.9"</p> <p>EXPANSION BOLT 150/5.9"</p>	

[MTB]: Tall Bollard	DIMENSION [UNIT: MM]	CASE STUDY:
	 <p>L1500: 1500/59" L1800: 1800/71" L2000: 2000/79" L2400: 2400/95"</p> <p>MS160A:S160/6.3" MS200A:S200/7.9"</p> <p>EXPANSION BOLT 150/5.9"</p>	

[MTP]: Post	DIMENSION [UNIT: MM]	CASE STUDY:
	 <p>L3000: 3000/118" L3600: 3600/142" L4000: 4000/158"</p> <p>MS200A:S200/7.9"</p> <p>ANCHOR 1000/39.4"</p>	