

**INTRODUCTION**

**FEATURE**

Elegance Design with Durable Quality  
 Long Lifespan Design >50,000hours  
 Working Temperature: -20°C~40°C

**MATERIALS & FINISH**

Metal Fixture: Painted Galvanized Steel  
 Fitment: E14 (Rated Power 125V 30W)  
 (MGA) Optics: Anti-UV PMMA, Smooth Surface  
 (MGB) Optics: Anti-UV PE, Fine Uneven surface

**INSTALLATION**

Suitable for Interior Lighting  
**[FFS]**: Flush Surface Mounted  
**[FPSR]**: Retractable Stem Pendant  
**[FJP]**: Fixing Plate on JBOX/Outlet Box

**NOTES:** Custom Installation and Accessories Referred to Another Catalogue of Fixing Kits.

**STANDARD**

Designed and Manufactured to Comply with TUV/CE/ROHS/GS/cUL Standard  
 IP20 Protection, Class I Electrical

**OPTION**

E14 LED Bulb:  
 ● AC120V Maxi.6W  
 ● AC240V Maxi.6W  
 LED CCT: 1,600K~10,000K/R/G/B/Y  
 [CRI]: [E] RA80, [G] RA90, [H] RA97(RG0)

WHITE RAL9010P	BLACK RAL9005P	GREY RAL7042P	DARK GREY RAL7016P	BRASS RAL1024P
-------------------	-------------------	------------------	-----------------------	-------------------

**GTF5211C: LED LIGHT FIXTURE**

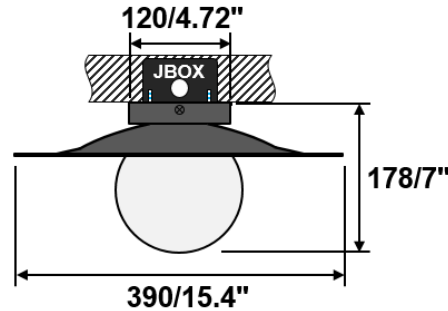
AC 100-277V	5 YEARS WARRANTY	SMD	360°	IP20	IK06	EURO	USA.CA
----------------	------------------	-----	------	------	------	------	--------

(MCA390A)-[FFS]



**CASE STUDY:**

**DIMENSION: [UNIT: MM]**



MODEL: PMMA DIFFUSER	NAME	INPUT [V]	FITMENT		LED BULB		DIFFUSER	FIXING KITS		
			TYPE	POWER	POWER	CCT	[B2]	CANOPY	STEM [FPSR]	FINISH [F1]
GTF5211C-MCA390A	Flush Fixture	AC100~277V	1Xe14	Maxi.35W						

**NOTE:**

All parameters are measured at 25°C ambient temperature, 35% humidity experimental environment.  
 Tolerances of power and luminous flux are ±10%, tolerance of color rendering index is ±5.