

LED TRI-PROOF LOW BAY

LED Tri-proof low bay is with aluminum heat sink and PC cover.
widely used for humid underground Parking lot, Frozen Warehouse, factory, supermarket, etc.

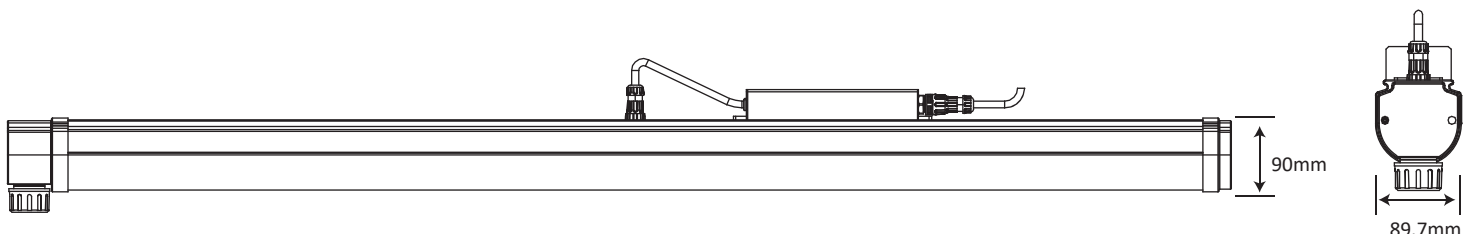


- High efficacy to 150lm/w
- From 1Ft to 8FT
- up to 160w, 24000lm
- Motion sensor, emergency type available
- IP65, IK10
- Linkable



● TECHNICAL PARAMETERS

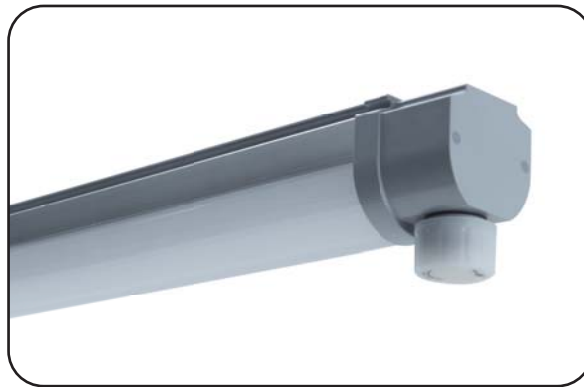
| Model | CIP-HB-1200B-45W | CIP-HB-1200B-70W | CIP-HB-1500B-70W | CIP-HB-2400B-80W | CIP-HB-2400B-100W |
|---------------------|----------------------------------|----------------------------------|--------------------------------|----------------------------------|----------------------------------|
| Length | 1199mm | 1199mm | 1499mm | 2399mm | 2399mm |
| Lumen | 7200 lm | 11200 lm | 11200 lm | 12800 lm | 16000 lm |
| Power | 45w | 70w | 70w | 80w | 100w |
| Input Voltage | AC100-277V/AC200-480V, 50/60HZ | | | | |
| Power factor | >0.95 | | | | |
| Working temperature | -25 °C ~45 °C | | | | |
| Lumen efficacy | 160 lm/w | | | | |
| Color temperature | 3000K-6500K | | | | |
| CRI | Ra>80 | | | | |
| Lifespan | 50.000 hours@L70 | | | | |
| Fixture dimension | 1199*89.7*90mm 47.2x3.5x3.5in | 1199*89.7*90mm 47.2x3.5x3.5in | 1499*89.7*90mm 59x3.5x3.5in | 2399*89.7*90mm 94.4x3.5x3.5in | 2399*89.7*90mm 94.4x3.5x3.5in |



● APPLICATIONS



● SMART SENSOR



With motion sensor

● DIFFERENT INSTALLATION

