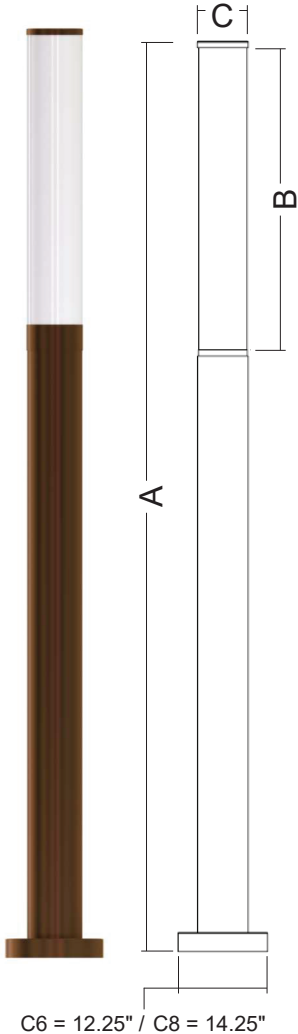


ASHTON LIGHT COLUMN SERIES

MADE IN USA



SPECIFICATIONS

Material

All parts are durable Aluminum Extruded Round Tube with .080 Round aluminum Roof Cap, with supports fabricated for maximum strength.

Lens

Standard White Frosted Premium Acrylic or Clear Frosted Premium Acrylic

LED

ALTA Long Life, high-efficiency, surface mount LEDs mounted on MPCB Aluminum Boards

Lifespan:

100,000 hour LED lifespan based on IES LM-80 results and TM-21 calculations

Driver

0-10V Dimming Driver for 120/277 volt, Constant Current, metal case, 5 year warranty

Label

ETL Listed for US and Canada for Wet Location

DELIVERED LUMENS PER WATT

2700K = 80 4100K = 110
3000K = 90 5000K = 120
3500K = 100

Mounting

Standard anchor bolts are 5/8" X 24" X 3". Bolts, nuts, and washers shall be hot dipped galvanized steel.

Warranty

We warrants POST LED products sold by us to be free from defects in material and workmanship for a period of **1 year** for metal parts, a period of **5 years** for exterior housing powdercoat finish, LED Light Engines, and LED power components (driver), from the date of sale of such goods to the buyer as specified in our shipment documents for each product.

C6 = 12.25" / C8 = 14.25"

Example: **AST-C6-144-36-60-27K-WF-AB**

MODEL	DIAMETER(C)	HEIGHT (A)	LENS HEIGHT (B)	WATT			CCT	LENS	POWDERCOAT FINISHES
AST	C6 = 6"	120"	36"	40	60	80	27K	WF = White Frosted CF = Clear Frosted	AB =Architectural Bronze TBR =Textured Bronze MBK =Matte Black GBK =Semi Gloss Black TBK =Textured Black TR =Textured Rust MW =Matte White TW =Textured White <i>Consult Factory*</i> GW =Gloss White MG =Metallic Grey BA =Brushed Aluminum adder MN =Metallic Nickel
		144"	48"	60	90	120	30K		
		168"	60"	80	120	160	35K		
	C8 = 8"	144"	48"	60	90	120	41K	<i>Consult Factory*</i> White Alabaster Honey Onyx Natural Horn Beige Alabaster Honey Swirl	
		180"	60"	80	120	160	50K		
		216"	72"	120	180	240			

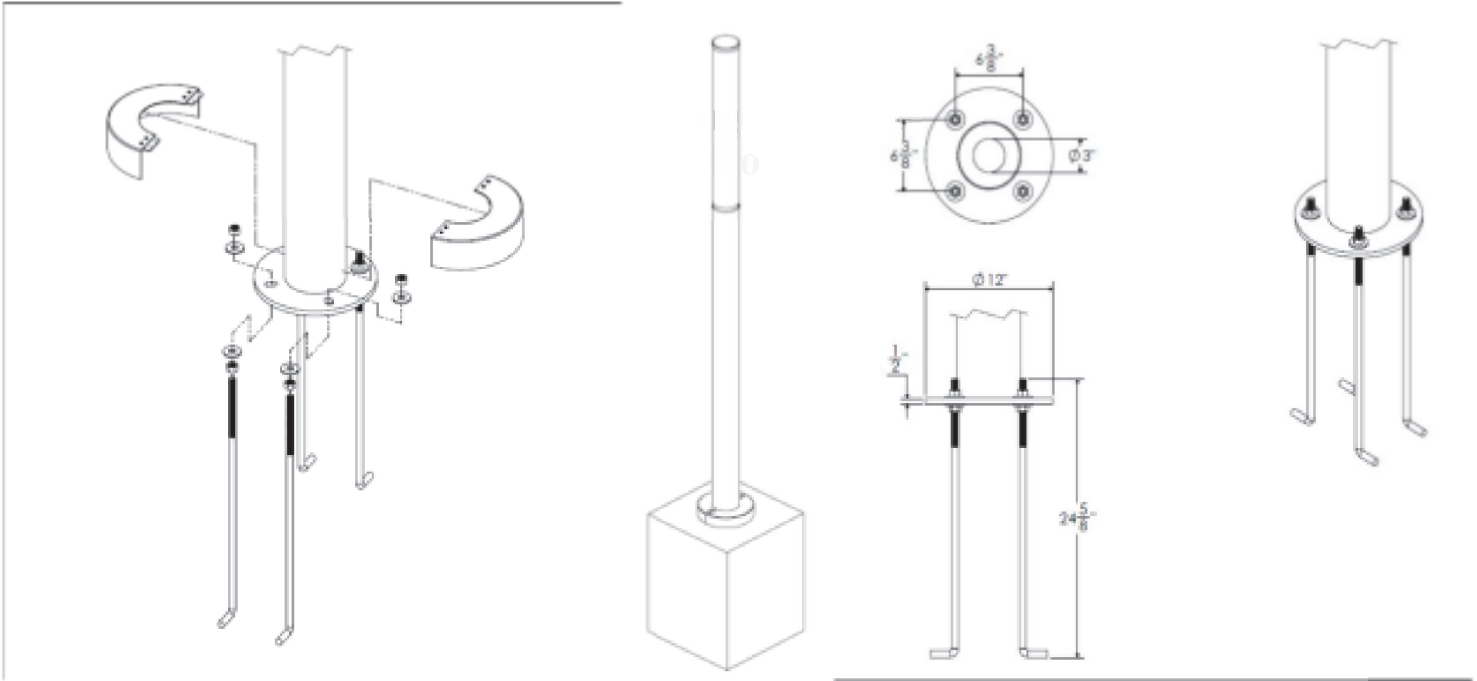
OPTIONS (Please Specified)

- LED EMR - Up to 24W
- OCC Sensors
- Photo Cell Control
- TRIAC PHASE DIMMING
- 0-10V DIMMING
- 347 VOLT FOR CANADA
- GFCI Receptacle (GFCI)*
- Dual Switching (DS)**

*GFCI duplex receptacle attached to pole with gasket, provided with weatherproof, self closing cover. located roughly 36" from base of pole. Receptacle is intended only for portable tools or other portable equipment to be connected to outlet only when attended by operating personnel. Please specify voltage if different from luminaire voltage. For use with 120V applications only. For other voltages, please consult factory for special requirements.

**LED's are divided into two (2) circuits with individual drivers, two (2) separated power feeds within the fixture.

Mounting Template 6" Round



Mounting Template 8" Round

