

Class 2 multi-channels 288W 300W
0-10V/1-10V/Potentiometer/10V PWM (4 in 1) Dimmable led driver

■ Features:

- Output constant voltage
- Range:100-305VAC, Typical: 110-277VAC
- Built-in PFC function, PF>0.95
- Efficiency > 91%
- Protections:short circuit/over voltage/over temperature
- Cooling by free air convection
- Dimming function:0-10V/ 1-10V/ 10V PWM or Resistor dimmable.
- Suitable for LED lighting and moving sign applications
- Compliance to worldwide safety regulations for lighting
- PWM output, does not change the color index
- Dimming range: 0-100%
- Suitable for dry/damp/wet locations / 7 years warranty

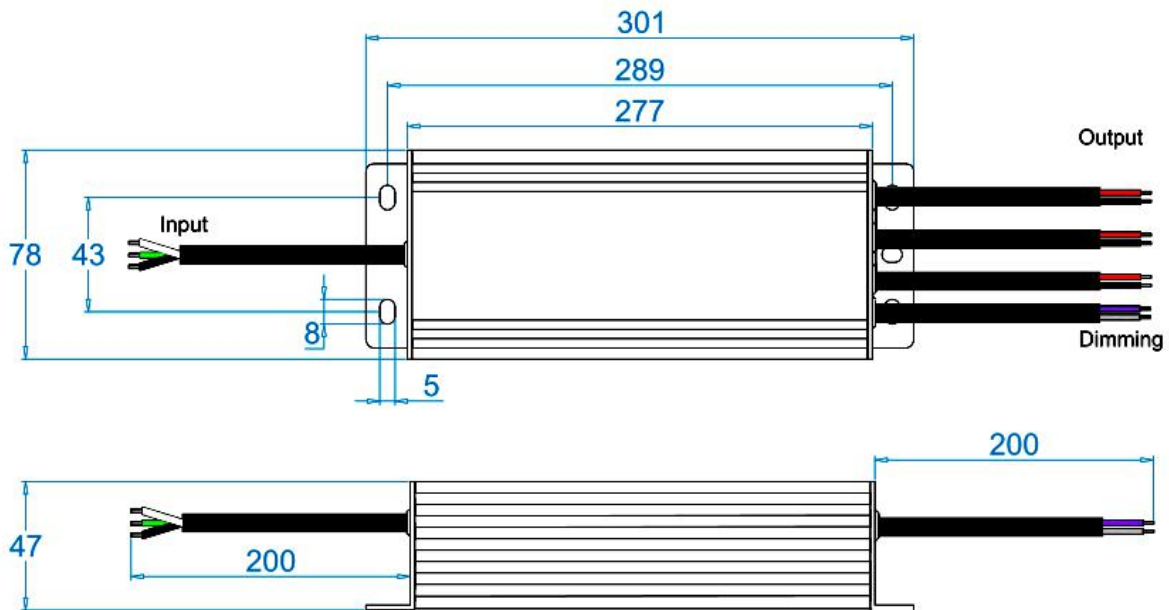
Specification

Class P Class 2 Type HL

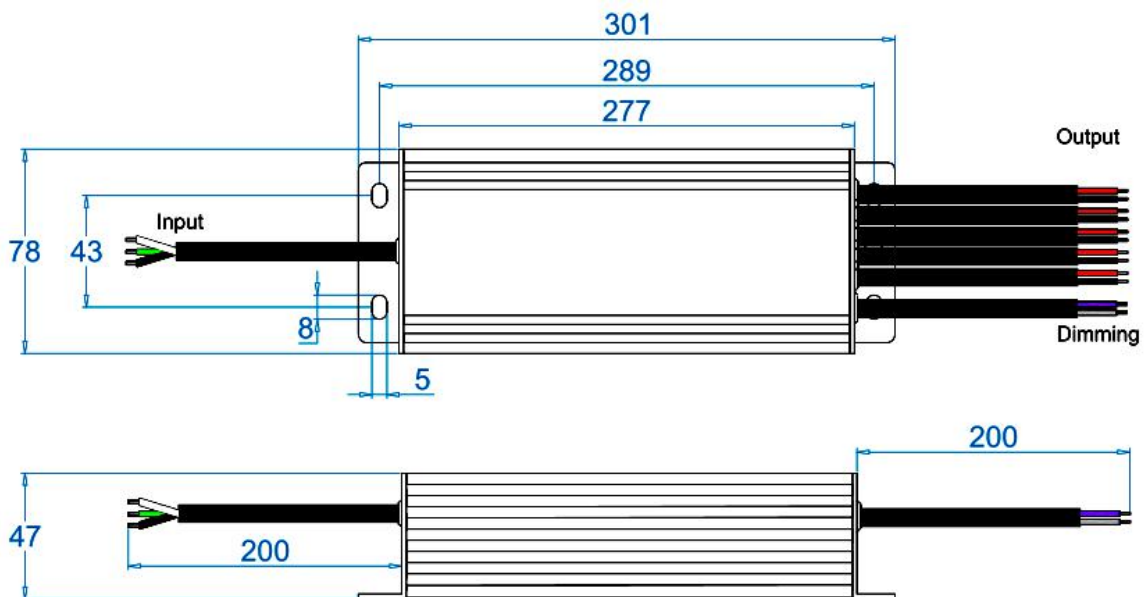
Model		CIP-SMT-012-300VDHW2	CIP-SMT-024-288VDHW2
Output	DC Voltage	12V	24V
	Voltage Tolerance	±0.5V	
	Voltage Regulation	±0.5V	
	Voltage Tolerance	±0.5%	
	Load Regulation	±1.2%	±1%
	Rated current	3*4A	5*5A
	Rated power	300W (5*60W)	288W (3*96W)
Input	Voltage Range	100-277VAC	
	Frequency Range	47~63HZ	
	Power Factor (Typ.)@ full load	0.98@120VAC 0.97@277VAC	0.98@120VAC 0.97@277VAC
	THD (Typ.) @ full load	<20%	
	Inrush Current (Typ.)	35A ,50%,960us @120VAC ; 43A,50%,1ms @277VAC	
	Full Load Efficiency (Typ.)	87%@120V 91%@277VAC	85%@120V 90%@277VAC
	AC Current (Typ.)	3.4A@100VAC	3.6A@100VAC
	Leakage current	<0.5mA	
Protection	Short Circuit	shut down o/p voltage, re-power on to recover after fault condition is removed	
	Over load	≤120% Hiccup mode ,recovers automatically after fault condition is removed	
	Over temperature	100°C±10°C shut down o/p voltage, automatically recover after cooling.	
Environment	Working TEMP.	-40~+60°C (see below derating curve)	
	Working Humidity	20~90%RH, non-condensing	
	Storage TEM.,Humidity	-40~+80°C, 10~95%RH	
	TEMP.coefficient		

	Vibration	10~500Hz, 5G 10min./1 cycle,period for 60min. each along X,Y,Z axes
Safety&EMC	Safety standards	UL8750+UL1310
	Withstand voltage	I/P-O/P:1.88KVAC
	Isolation resistance	I/P-O/P:100MΩ/500VDC/25℃/70%RH
	EMC EMISSION	FCC 47 CFR Part 15 ,Subpart B
Others	Weight	1.9Kg
	Size	303*78*47mm (L*W*H)
	packaging	10PCS/CTN
Notes	1. All parameters NOT specially mentioned are measured at 120VAC & 277vac input , rated load and 25℃of ambient temperature. 2. Tolerance:includes set us tolerance,line regulation and load regulation .	

■Mechanical Specification



CIP-SMT-024-288VDHW2



CIP-SMT-012-300VDHW2

- ※ Input wire 18AWG Black and White to be connected to AC L and N ,Green wire go ground,
- ※ Output cable 2*16AWG,Red" (+) to LED Positive side (+) , "Black"(-) to LED Negative side (-).
- Three groups output cables. of CIP-SMT-024-288VDHW2 and five groups of CIP-SMT-012-300VDHW2
- ※ Dimming cable 2*18AWG,DIM (+) Purple to 0/1-10V dimmer signal(+) ,DIM (-) Grey to 0/1-10V dimmer signal (-)
- ※ Please DO NOT connect "DIM-" to "LED-", "DIM+" to "LED+" ,or other incorrect connection.
- ※ Please make sure your connect these correctly otherwise your product will not function correctly and could be damaged.

■Dimming Operation

※Built-in 4 in 1 dimming function, I67 rated .Output constant current level can be adjusted through output cable by connection a resistance or 1-10V DC or 10V PWM signal between DIM+ and DIM-

※Reference resistance value for output current adjustment (Typical)

Resistance value	Signal driver	0Ω	10KΩ	20KΩ	30KΩ	40KΩ	50KΩ	60KΩ	70KΩ	80KΩ	90KΩ	100KΩ	OPEN
	Multiple driver	0Ω/N	10KΩ/N	20KΩ/N	30KΩ/N	40KΩ/N	50KΩ/N	60KΩ/N	70KΩ/N	80KΩ/N	90KΩ/N	100KΩ/N	——
Percentage of rated current		0%	10%	20%	30%	40%	50%	60%	70%	80%	90%	100%	102%-108%

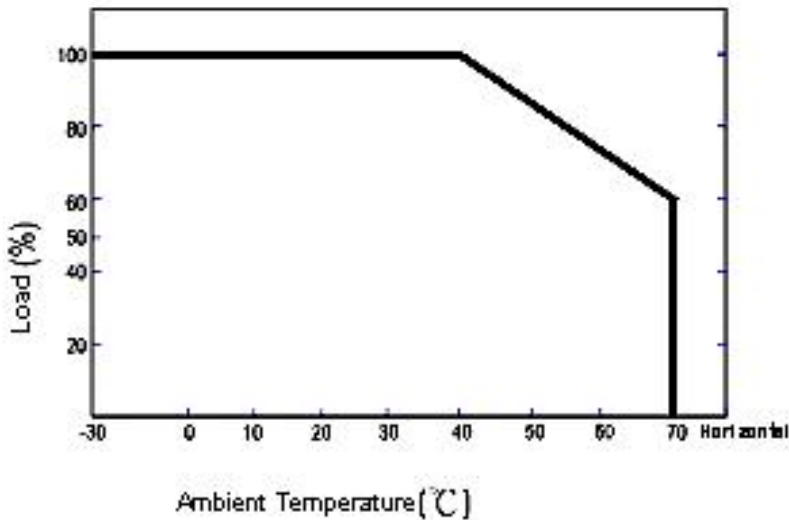
※1-10/0-10V dimmable function for output current adjustment(Typical)

Dimming value	0V	1V	2V	3V	4V	5V	6V	7V	8V	9V	10V	OPEN
Percentage of rated current	0%	10%	20%	30%	40%	50%	60%	70%	80%	90%	100%	102%-108%

※10V PWM signal for output current adjustment (Typical): Frequency range:100Hz-3KHZ

Duty value	0%	10%	20%	30%	40%	50%	60%	70%	80%	90%	100%	OPEN
Percentage of rated current	0%	10%	20%	30%	40%	50%	60%	70%	80%	90%	100%	102%-108%

■Derating Curve



※Load carried in accordance with the load derating curve, according to the ambient temperature derating, in order to extend the working life.

■ 0/1-10V / Potentiometer / 10V PWM (4 in 1) Dimmable LED Driver connecting solution:

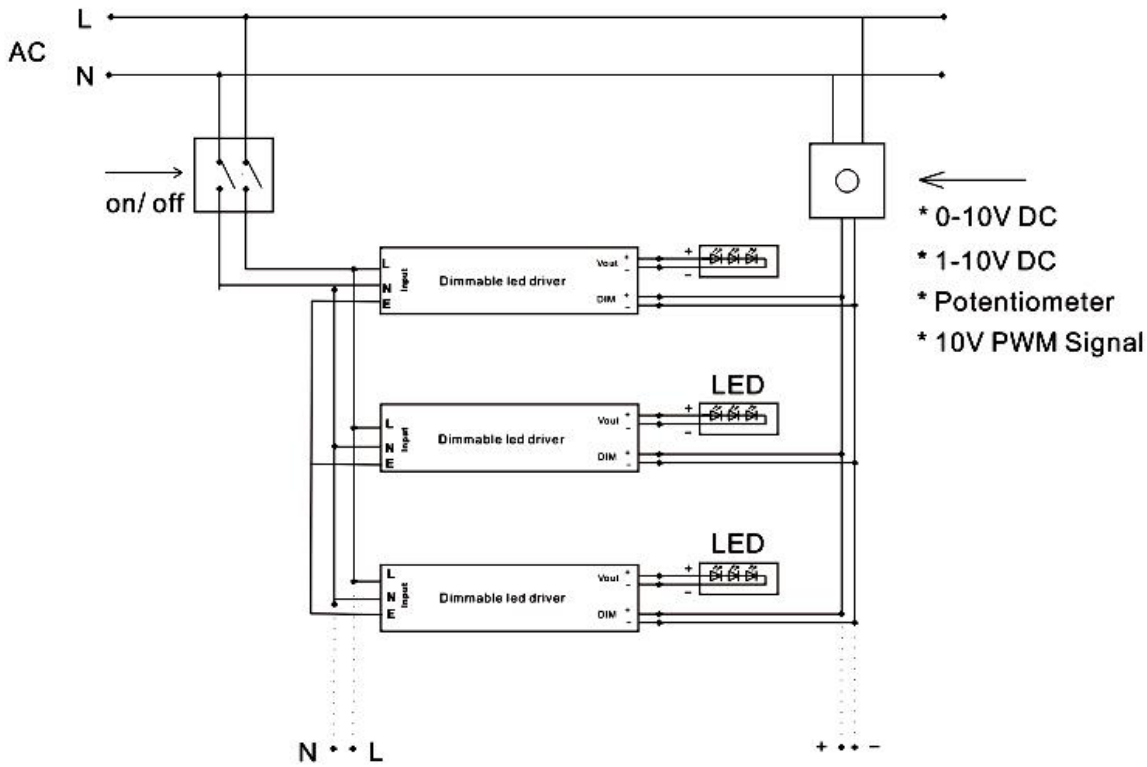


Diagram 1

Diagram 2 as below:

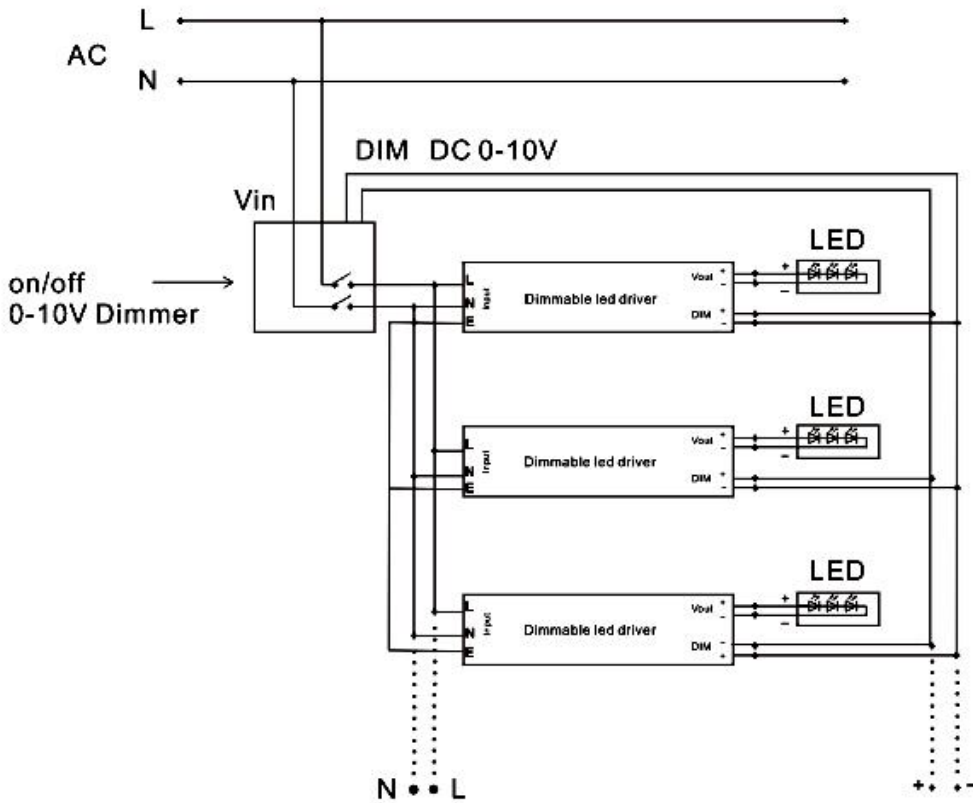


Diagram 2

■ **Instruction:**

- ※ This driver should be installed by qualified and professional person;
- ※ Please make sure the driver is installed with adequate ventilation around it to allow for heat dissipation.
- ※ Ensure that wiring is correct before test in order to avoid light and power supply damage;
- ※ If the dimmable LED drivers do not work normally, pl. don't maintain privately, but contact us.