

# ELLA DOWNLIGHT SYSTEM

## Wall Washer Series - 3" Aperture

Project :	Type:
Product Code:	Date :



Round








Square

## DESCRIPTION

ELLA-Wall washer series , can wash the wall thanks to it's asymmetric light distribution. Super modular design with round as well as square, honeycomb filter can be added to provide maximum visual comfort.

## FEATURES

- Elegant & compact in its style, versatile in its using.
- Asymmetric light distribution.
- Super modular design, replacing LED module, mounting ring, beam lens and anti-glare accessories without any needs for tools.

		EM060	
WATTAGE		10W	15W
LUMEN OUTPUT		1032lm	1386lm
BEAM OPTICS	Narrow Spot 	15°	
	Spot 	24°	
	Flood 	38°	
	Wide Flood 	55°	
LIGHT COLOR		Static White: 2700K, 3000K, 3500K, 4000K    Dim To Warm: 2000K-3000K	
COLOR QUALITY		CRI80+/90+, 3 SDCM	
INPUT WATTAGE		10W	15W
INPUT VOLTAGE		120/277V input, 50/60Hz	
POWER FACTOR		Greater than 0.9	
DIMMING TYPE		Triac dimming & 0-10V dimming range: 10%-100%	
CEILING THICKNESS:		 $\frac{3}{4}$ " - $2\frac{5}{2}$ " (1mm-20mm) Spring clip	
INSTALLATION		New Construction, Remodel, IC Rated Housing	
LISTINGS		ETL Listed to US and Canadian standards for damp locations. (IC) ETL listed for direct contact w/insulation.	
WARRANTY		5 year limited warranty	
AMBIENT OPERATING TEMPERATURE		-20°C to 40°C	
SYSTEM RATING		80% of initial lumens at 50000 hours (L80)	

1. Approximate lumen output based on 3000K performance, see photometric test results for additional information.  
2. 10W Can be **IC-Rated housing**.

Project :	Type:
Product Code:	Date :

### ORDERING INFORMATION

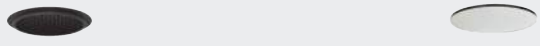
EM060	EF	6	5								
LED Module	Trim	Dimensions of Trim	Application	Trim Shape	Trim Style	Flangeless Trim	Safety Standard	Voltage	Lumen Output	Dimming Methods	Including Housing
EM060	EF	6 Nominal size: 60mm	5 Wall Washer	RF Round fixed  SF Square fixed	01 Standard	F Flangeless Trim	A American standard	SV 120V  MV 120-277V	L08 800lm  L12 1200lm	V 0-10V  T Triac  X 0-10V/Triac	C New Construction  R Remodel  H Housing

### ACCESSORIES (TO BE ORDERED SEPARATELY) FOR INSTALLATION CONSULT THE INSTRUCTION SHEET

**OPTICAL ACCESSORY**

**HONEYCOMB FILTER**  
EM060-H

**SOFT LENS**  
EM060-L



### LUMEN MULTIPLIERS

CCT	MULTIPLIER	CRI	MULTIPLIER	STANDARD TRIM	MULTIPLIER
2700K	0.95	80+	1.23	EF65RF01 (Round fixed)	0.98
3000K	1.00	90+	1.00	EF65SF01 (Square fixed)	1.00
3500K	1.03				
4000K	1.06				

### Applying Lumen Multipliers to Calculate Delivered Lumens

Base Fixture Delivered Lumens (from PHOTOMETRIC DATA)	x	CCT Multiplier	x	CRI Multiplier	x	TRIM Multiplier	=	Delivered Lumens for Desired Fixture
<b>STANDARD TRIM Example: EM060-EF65RF01 3500K 80+</b>								
1000.6 lm	x	1.03	x	1.23	x	0.98	=	1242.3 lm

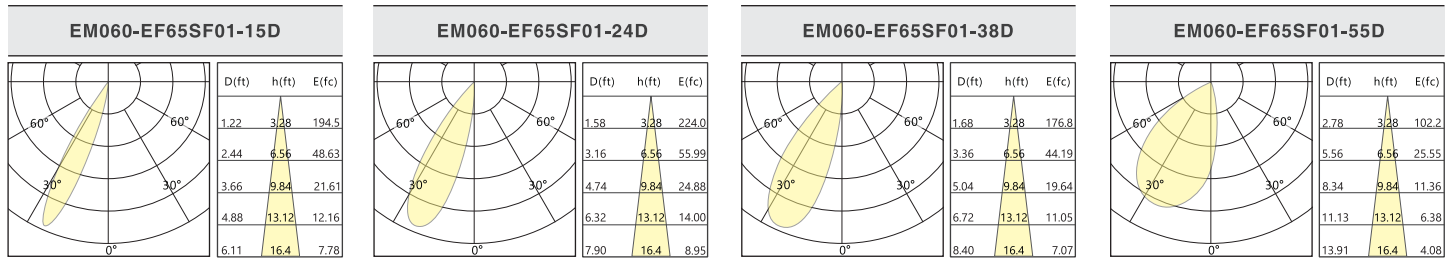
Project :	Type:
Product Code:	Date :

PHOTOMETRIC DATA (NON-DIMMING)

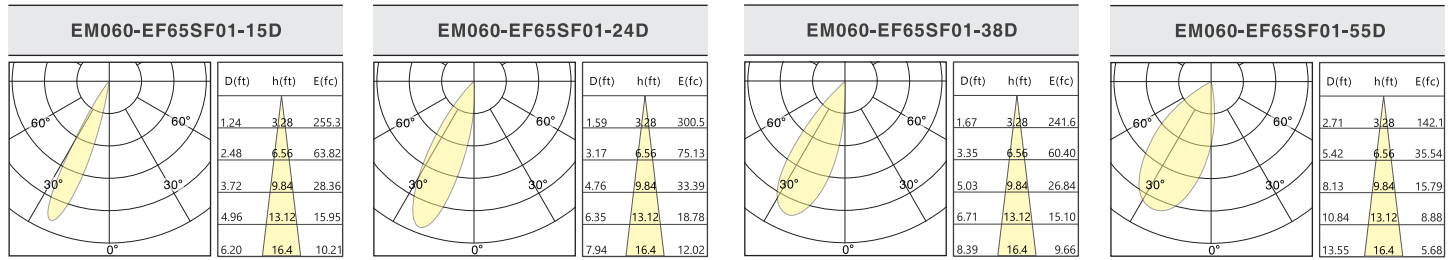
CCT (K)	CRI	LOAD (W)	BEAM OPTIC	LUMENS (lm)	EFFICACY (lm/w)	MAX CANDELA (cd)
3000K	90	10W	15°	1000	99	4388
			24°	1032	103	2989
			38°	1027	102	2247
			55°	999	99	1260
		15W	15°	1307	95	5790
			24°	1381	100	3894
			38°	1386	100	3006
			55°	1356	98	1692

Above test data is based on Square Fixed trim with 3000K 90CRI LED.

EM060-EF65SF01 10W

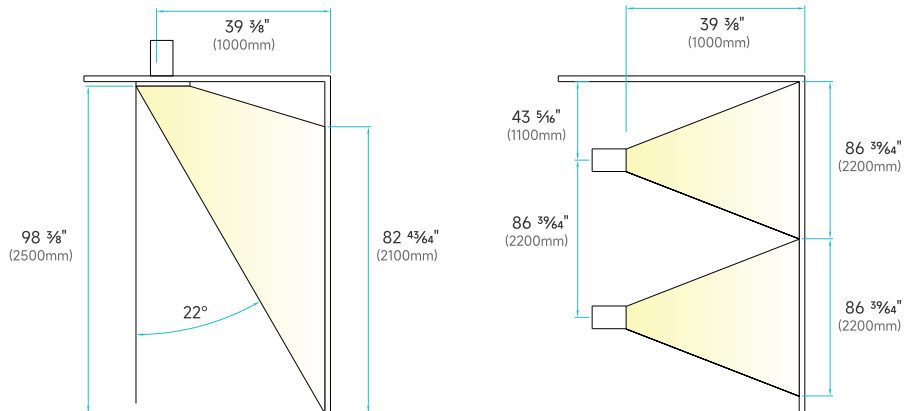


EM060-EF65SF01 15W



Above test data is based on Square Fixed trim with 3000K 90CRI LED.

WALL WASHING SUGGESTED SPACING AND WALL DISTANCE



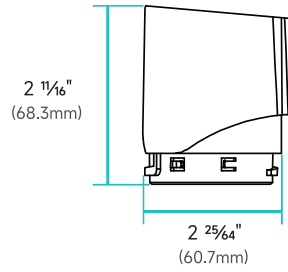
# ELLA DOWNLIGHT SYSTEM

## Wall Washer Series - 3" Aperture

Project :	Type:
Product Code:	Date :

### DIMENSION

#### LED Module



#### Trim For Wall Washer Series



# ELLA DOWNLIGHT SYSTEM

## Wall Washer Series - 3" Aperture

Project :	Type:
Product Code:	Date :

### INSTALLATION

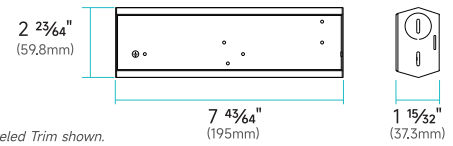


### REMODEL

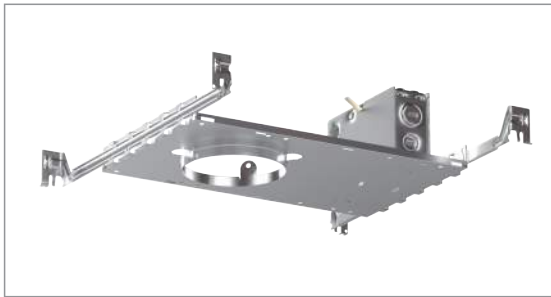
#### INSTALLATION

1. Direct connection with installed housing.
2. Operation temperature: -20°C - 40°C.

#### DIMENSION FOR REMODEL MOUNTED DRIVER



Note: Total height varies depending on trim, Beveled Trim shown.  
 Minimum height: 3 6/64" (100.3mm)  
 Maximum height: 3 6/64" (100.3mm)

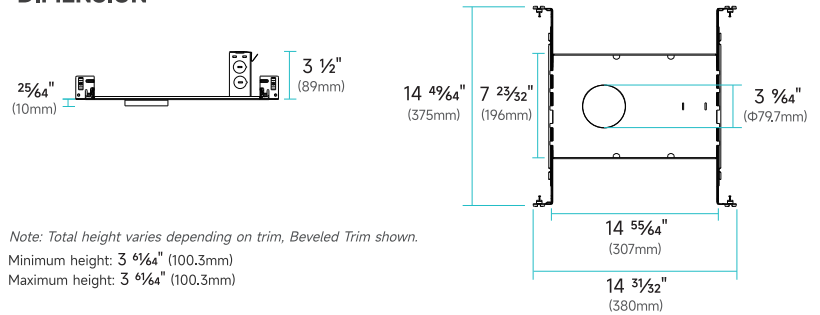


### PLATE

#### INSTALLATION

1. Non-IC rated housings must be kept at a minimum of 3" away from insulation.
2. Fixture includes adjustable bar hangers (14"-25") for wood joist or t-bar ceiling installations.
3. Bar hangers can be installed in either direction.
4. Operation temperature: -20°C - 40°C.

#### DIMENSION



Note: Total height varies depending on trim, Beveled Trim shown.  
 Minimum height: 3 6/64" (100.3mm)  
 Maximum height: 3 6/64" (100.3mm)



### IC RATED HOUSING

#### INSTALLATION

1. ETL Listed for direct contact with insulation.
2. Fixture includes adjustable bar hangers (14"-25") for wood joist or t-bar ceiling installations.
3. Bar hangers can be installed in either direction.
4. Operation temperature: -20°C - 40°C.

#### DIMENSION

