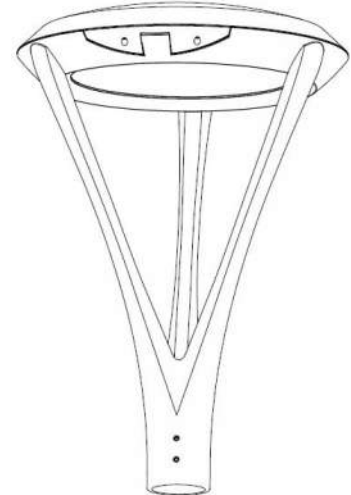
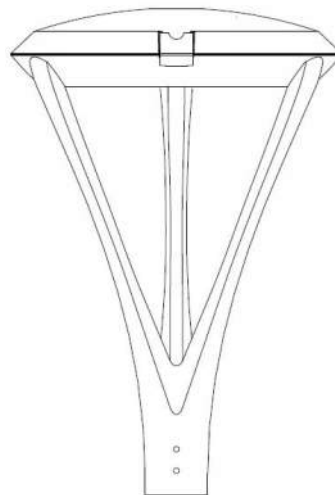
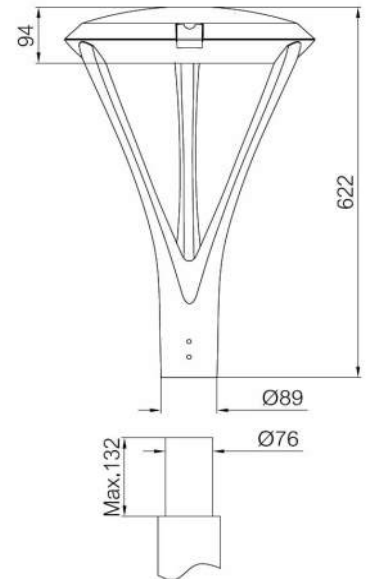


A New Benchmark in Visual Comfort

Performance with Aesthetics

CitySoft® Amazing presents a new paradigm that takes urban street lighting mainstream to a new benchmark in Visual Comfort. It's a groundbreaking creation that delivers unparalleled design freedom, maximum energy efficiency and unrivaled optical and brightness control. In addition to the striking form of seamless construction, CitySoft® blends high performance optics, controls, scalability and mounting options to cover more applications and enhance the environment they occupy



Net weight: 9.0Kg      EPA: 0.99 (Sq. Ft.)



## Applications

City centers, Commercial districts, Parks and Plazas, Urban landscape, Urban green belt, Rural road, Riverside, Lakeside, Residential areas, Pathway etc.,

## Features

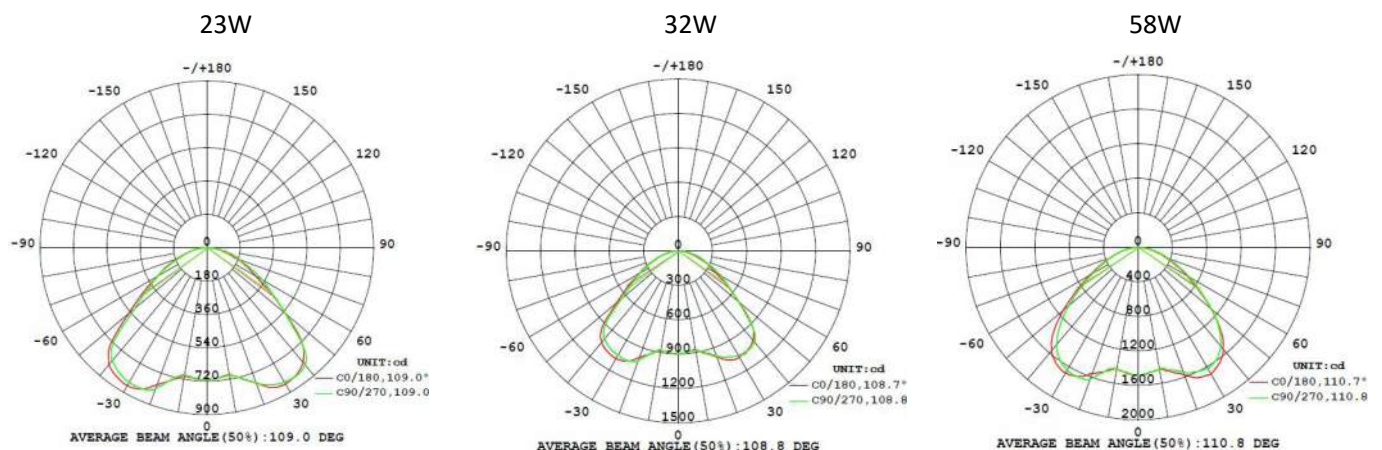
The CitySoft® Amazing is designed to the highest standards of excellence and quality with attention focused on the finest details to aid light performance and maintenance

- Uniform and Soft light distribution delivers High visual comfort
- Body designed to prevent fitting from water、 dust、 and bird droppings etc.,
- Self-cleaning and Tool free entry
- Replaceable driver unit and control gear
- 0-10V & 1-10V dimmable、 DALI Control gear、 Timer control、 Zigbee control for Smart City management
- Photo sensor control 3P 5P 7P NEMA Socket & Twist-lock Receptacle
- Attached Microwave Motion Sensor available
- PIR Motion Sensor with Bi-level dimming and as option Bluetooth add-on enables remote sensor programming
- Common mode surge protection 6KV and Customized achievable up to 10KA and 20KA for option
- An integrated Urban Styling lighting toolbox designed for many different urban applications
- Future-proof
- City-attractive, welcoming, convenient and safe

## Specifications

Nominal Wattage	Distribution	2700K CRI>80				4000K CRI>70				5000K CRI>70						
		Lumen	BUG Rating			lm/w	Lumen	BUG Rating			lm/w	Lumen	BUG Rating			lm/w
			B	U	G			B	U	G			B	U	G	
23.0W	Type V					2220	1	1	1	96.5						
32.0W	Type V					3216	1	1	1	100.5						
58.0W	Type V					5800	2	1	1	100.0						

## Light distribution curve



### Construction & Housing

- IP66 Rated housing is cast from corrosion resistant aluminum, maintaining strength and precision to sustain long term dayform appearance and service life
- IK08 rated enclosure protects electrical equipment against external mechanical impacts
- Aluminum die-casting is designed as one-piece with internal cooling fins
- Stable mechanical system prevents damage from installation generated vibration
- Molded silicone gasket throughout ensures the sealing and provides ingress protection
- Body designed to prevent fitting from water, dust, bird droppings etc., and reachable with Self-cleaning
- Tool-less opening

### Finish

- Utilizes premium ultra-weatherable **AKZO** polyester powder coatings to withstand extended outdoor exposure, providing excellent resistance to corrosion, ultraviolet degradation and abrasion under **10 years lifetime**
- Good film appearance combined with excellent mechanical and exterior exposure qualities display greater than twice as much gloss retention
- **Special Seaside application finishing with 10 years guarantee** is provided at MOQ 200pcs
- Finish is compliant with 1500hrs salt spray. **3000hrs salt spray is provided** at MOQ 500pcs
- Standard color includes Dark Bronze (RAL8019), Anthracite Grey (RAL7016) and Black (RAL9005)
- RAL & Customized color available with MOQ 200pcs

### Optic

- Specifically designed for pedestrian applications
  - Optical PMMA LGP plus high-degree diffusion outdoor PC lens produces symmetric Type V light distribution.
- The LGP is manufactured from precision injection molded PMMA resulting in a pixelation free optical image for
- improved glare control and visual comfort

### Light Performance

- High Visual comfort and Glare Free. SDCM<3
- Soft and uniform light distribution. Symmetric 110° Soft Uniform Anti-glare
- Luminaire output efficacy up to 100 LPW
- CCT 2200K, 2700K, 4000K, 5000K and 6000K offered as standard. **Amber color offered as customized**
- 2200K and 2700K at Minimum CRI 80; 4000K, 5000K and 6000K at Minimum CRI 70. **Customized CRI is Provided**
- EPA (Effective Projected Area): 0.99 (Sq. Ft.)

### Electrical

- LED driver & electric parts are directly mounted to upper housing thermal pad for optimal thermal performance
- Protection Class I offered as standard. **Class II offered as customized**
- Input voltage 100-277Vac 50/60Hz. 347V-480Vac 60Hz contact manufacturer for availability
- PF>0.92 at full load. THD<10% at full load.
- Integral 6KV surge protection offered as standard (DALI version 10KV). **10KA 20KA SPD offered as customized**
- Replaceable driver unit and control gear

- Powered off automatically when opening the fixture

**Dimming and Controls**

- 0-10V & 1-10V dimmable, dimming range from 10% to 100%
- DALI Control gear dim-to-off
- Timer dimmable with 3 timer modes: Self Adapting-Midnight; Self Adapting-Percentage and Traditional timer
- 3P NEMA Socket, traditional on/off photoelectric control
- 5P NEMA Socket, wireless photoelectric control for added dimming feature
- 7P NEMA Socket, wireless photoelectric control for dimming and additional I/O connections for customer use
- Wireless Controls: On-Fixture Module with 7P NEMA Socket as Zigbee communication
- Integrated Microwave Motion sensor--on/off
- Detached dimming and occupancy Microwave Motion sensor for added dimming feature
- PIR Motion Sensor with Bi-level dimming and as option Bluetooth add-on enables remote sensor programming
- **Osram OPTOTRONIC driver offered as customized 4DIM in one device (StepDIM, AstroDIM, MainsDIM, DALI)**

**Mountings**

- 76mm (3.0'') Post-top mount for 60mm (2-3/8'') OD Tenon
- 89mm (3.5'') Post-top mount for 76mm (3'') OD Tenon
- Flush mount 60mm (2-3/8'') O.D. Pole
- Flush mount 76mm (3.0'') O.D. Pole

**Installations and Maintenance**

- Operating temperature Suggested at -30°C to 35°C
- Suggested installation height 2.5m(8ft) to 6.0m(20ft)
- Pole-top installation on poles with ending part Ø60mm and Ø76mm
- Tool-less opening and Easy maintenance on-site
- All external screws are in AISI 304 stainless steel. Screw connection block or as option an external IP connector
- 0.5m outlet Input cable offered as standard and customized cable length is acceptable
- Body designed to prevent fitting from water、dust、and bird droppings etc.,
- Self-cleaning

**Lumens maintenance and Warranty**

Ambient temperature	TM-21 Lumen Maintenance (60,000 Hours)	Calculated L85 (Hours)	Warranty time
25°C	>93%	>60,000	5 Years
30°C	>88%	>60,000	5 Years
35°C	>80%	>50,000	3 Years

**CAUTION**

Fixtures must be grounded in accordance with national, state and/or local electrical codes. Failure to do so may result in serious personal injury