

GTG5026A-MRA: LED GARDEN LIGHT

100-277V	WARRANTY	RGBW	120°	IP65	IK06	EURO	USA.CA

(MRA340A)-[PSA]



INTRODUCTION

FEATURE

Custom Modular Make Pleasantly Garden Lighting Suitable for Flexible and Diverse Garden Style. Custom Fixing Meet Various Installation Smoothly Long Lifespan >50,000hours Working Temperature: -30°C~50°C

MAIN MATERIAL

LED Brand: GUBO
Driver Brand: GUBO
Housing: Aluminum Profile
Optics: Nano Opal PC Lens
[BDC]: Anti-UV PC Clear Cage Diffuser

INSTALLATION

Suitable for Garden, Park, Plaza.....
[FWA]: Wall Surface Mounted
[FJP]: Fixing Plate on JBOX/Outlet Box
[PSA]: Aluminum Straight Bollard

NOTES: Custom Installation and Accessories Referred to Another Catalogue of Fixing Kits.

STANDARD

Designed and Manufactured to Comply with CE/RoHS/TUV/CB/cETL/SAA Standard IP65 Protection, Class I Electric

CUSTOM OPTION

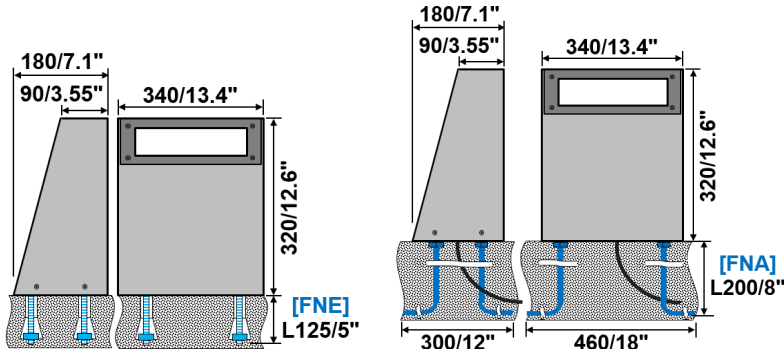
LED CCT: 1,600K~10,000K/R/G/B/Y
[CRI]: [E] RA80, [G] RA90, [H] RA97(RG0)
[WM40C]: Working Temperature -40°C~50°C
[SFH]: Custom Housing Finish by RAL Code

WHITE	BLACK	DARK GREY	GREY	PEARL GREY
RAL9010P	RAL9005P	RAL7016P	RAL7043P	RAL9022P

DIMENSION: [UNIT: MM]

[FWA]-[FNE]

[FWA]-[FJP]



CASE STUDY:



MODEL	POWER [W]	LED TYPE	CCT [K]	CRI	FLUX [LM]	POWER FACTOR	BEAM ANGLE	CUSTOM DIMMING	INPUT [V]
GTG5026A-MRA340A	12W	96x0.5W SMD2835	G1800K	RA90	330	>0.9	120°	[CDN]: Non-dim [CDT]: TRIAC(10%) [CDV]: 0/1~10V(8%) [CDV0]: 0~10V(1%) [CDV1]: 1~10V(10%) [CDA]: DALI(1%) [CRZ]: ZIGBEE(1%) [CRF]: 2.4G RF(1%) [CRB]: Bluetooth(1%) [+CDP]: PWM(1%) [+CDX]: DMX512(1%) [+CDS]: SPI(1%)	AC100~277V [AC100~240V] [AC100~347V] 50/60Hz
			G2200K	RA90	370				
			G2500K	RA90	410				
			G2700K	RA90	460				
			G3000K	RA90	480				
			G3500K	RA90	480				
			G4000K	RA90	520				
			G5000K	RA90	520				
			G5700K	RA90	520				
	G6500K	RA90	520						
	2C@12W	TWG	G2700K	G6500K	RA90	460	>0.9		
	2C@12W	RGBW	620nm 520nm 465nm G2700K	\	460	>0.9			
	30W [20W]	96x0.5W SMD2835	G1800K	RA90	770	>0.9	120°	[CSL]: Photocell Lux Sensor [CSMD]: Big-level Microwave Motion Sensor 	[+CV DC12V] [+CV DC24V] [+CV DC42V]
			G2200K	RA90	860				
			G2500K	RA90	950				
			G2700K	RA90	1060				
			G3000K	RA90	1120				
			G3500K	RA90	1120				
G4000K			RA90	1270					
G5000K			RA90	1270					
G5700K			RA90	1270					
G6500K	RA90	1270							
2C@30W	TWG	G2700K	G6500K	RA90	1060	>0.9			
2C@30W	RGBW	620nm 520nm 465nm G2700K	\	1060	>0.9				

NOTE:

All parameters are measured at 25°C ambient temperature, 35% humidity experimental environment. Tolerances of power and luminous flux are ±10%, tolerance of color rendering index is ±5.