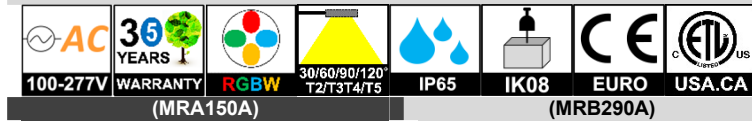


GTG5122A-MR: LED GARDEN LIGHT



INTRODUCTION

FEATURE

- Low-glare Garden Lighting
- Easy Installation and Maintenance
- Long Lifespan >50,000hours
- Working Temperature:-30°C~50°C [CUSTOM -40°C]

MAIN MATERIAL

- LED Brand: GUBO
- Driver Brand: GUBO
- Housing: Die-casted Aluminum
- Optics: High Efficiency PC Lens
- Diffuser: Clear Glass Diffuser

INSTALLATION

- Suitable for Road Light, like Street, Park.....
- [FFS]: Flush Surface Mounted
- [FWA]: Wall Surface Mounted
- [FSC]: Slip Fitter Mounted
- [PSA]: Aluminum Straight Bollard

NOTES: Custom Installation and Accessories Referred to Another Catalogue of Fixing Kits.

STANDARD

- Designed and Manufactured to Comply with CE/RoHS/CB/cETL/SAA Standard
- Withstand Voltage: 3.75KV, Surge: 6KV
- IP65 Protection, Class I Electric

OPTION

- LED CCT: 1700K/2200K/2700K/3500K/5000K
- [CRI]: [E] RA80, [G] RA90, [H] RA97(RG0)
- F1: Custom Housing Finish Colors by RAL Code

WHITE RAL9010P	BLACK RAL9005P	DARK GREY RAL7016P	GREY RAL7043P	PEAL GREY RAL9022P
-------------------	-------------------	-----------------------	------------------	-----------------------




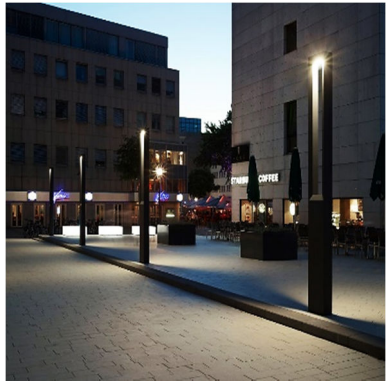
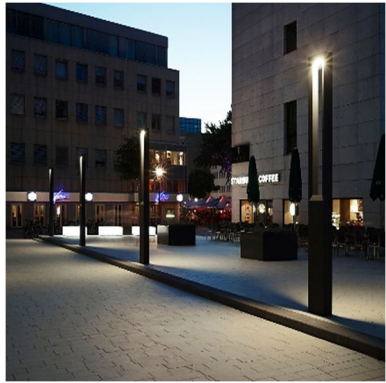
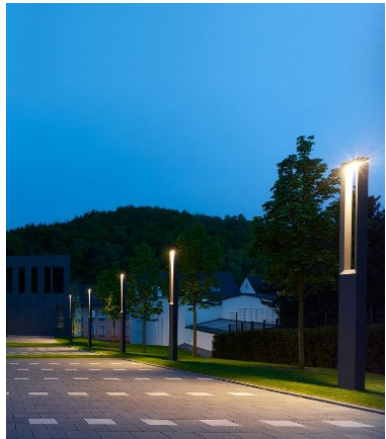
MODEL	POWER [W]	LED TYPE	CCT [K]	CRI	FLUX [LM]	POWER FACTOR	BEAM ANGLE	OPTIONAL DIMMING	INPUT [V]		
GTG5122A-MRA150A2B	20W [15W] [10W]	24x2W SMD3030	G2500K	RA90	1130	>0.9		Following by Remote Driver [Inside Bollard]			
			G2700K	RA90	1190						
			G3000K	RA90	1290						
			G3500K	RA90	1290						
			G4000K	RA90	1380						
			G5000K	RA90	1380						
			G5700K	RA90	1380						
G6000K	RA90	1350									
2C@20W	TWG	G2700K	G6000K	RA90	1190	>0.9	[Symmetric] BL30D:30° BL60D:60° BL90D:90° BL120D:120°	[CDN]:Non-dimmable			
4C@20W	RGBWG	620nm	520nm	465nm	G2700K	\				1190	>0.9
4C@20W	RGBA	620nm	520nm	465nm	590nm	\				1190	>0.9
GTG5122A-MRA250A2B	40W [30W] [25W] [20W]	48x2W SMD3030	G2500K	RA90	2270	>0.9		Following [Sensor]	AC100~277V [AC100~240V] [AC100~347V] 50/60Hz		
			G2700K	RA90	2380						
			G3000K	RA90	2570						
			G3500K	RA90	2570						
			G4000K	RA90	2760						
			G5000K	RA90	2760						
			G5700K	RA90	2760						
G6000K	RA90	2700									
2C@40W	TWG	G2700K	G6000K	RA90	2380	>0.9	[CSL]: Photocell Lux Sensor				
4C@40W	RGBWG	620nm	520nm	465nm	G2700K	\			2380	>0.9	
4C@40W	RGBA	620nm	520nm	465nm	590nm	\			2380	>0.9	
GTG5122A-MRB290A2B	80W [60W] [50W] [40W]	72x2W SMD3030	G2500K	RA90	4530	>0.9		Following [Sensor]	[CV DC12V] [CV DC24V] [CV DC42V]		
			G2700K	RA90	4770						
			G3000K	RA90	5140						
			G3500K	RA90	5140						
			G4000K	RA90	5520						
			G5000K	RA90	5520						
			G5700K	RA90	5520						
G6000K	RA90	5400									
2C@80W	TWG	G2700K	G6000K	RA90	4770	>0.9	[CSPD]: Big-level PIR Motion Sensor				
4C@80W	RGBWG	620nm	520nm	465nm	G2700K	\			4770	>0.9	
4C@80W	RGBA	620nm	520nm	465nm	590nm	\			4770	>0.9	
GTG5122A-MRB400A2B	120W [100W] [80W] [60W] [50W]	120x2W SMD3030	G2500K	RA90	6800	>0.9		Following by Remote Driver [Outside Bollard]	[CDX]:DMX512(1%) [CDS]:SPI(1%) [CRZ]:ZIGBEE(1%) [CRF]:2.4G RF(1%) [CRB]:Bluetooth(1%)		
			G2700K	RA90	7160						
			G3000K	RA90	7160						
			G3500K	RA90	7720						
			G4000K	RA90	7720						
			G5000K	RA90	8280						
			G5700K	RA90	8280						
G6000K	RA90	8100									
2C@120W	TWG	G2700K	G6000K	RA90	7160	>0.9	[Asymmetric] T2M:V65xH145° T3M:V80xH150° T4M:V85xH150°				
4C@120W	RGBWG	620nm	520nm	465nm	G2700K	\			7160	>0.9	
4C@120W	RGBA	620nm	520nm	465nm	590nm	\			7160	>0.9	


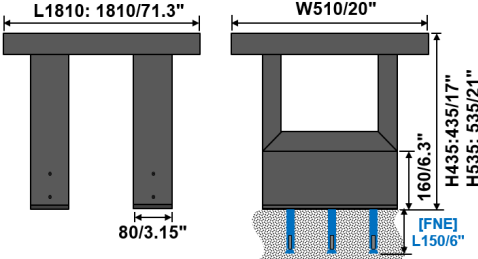

NOTE:


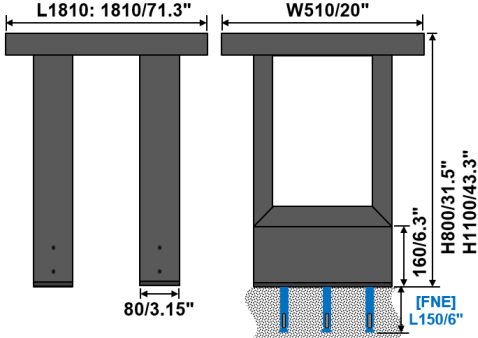
All parameters are measured at 25°C ambient temperature, 35% humidity experimental environment. Tolerances of power and luminous flux are ±10%, tolerance of color rendering index is ±5.

[FWA] WALL SCONE		DIMENSION: [UNIT: MM]
NOTES: Custom Installation and Accessories Referred to Another Specification Catalogue of Fixing Kits.		
(MRA150A)-[FWA]	(MRA250A)-[FWA]	CASE STUDY:

[PSA]-[FNE] Bollard with Inner Flange Fixed by Expansion Bolt		DIMENSION: [UNIT: MM]
NOTES: Custom Installation and Accessories Referred to Another Specification Catalogue of Fixing Kits.		
(MRA150A)-[PSA]-[FNE]	DIMENSION: [UNIT: MM]	CASE STUDY:
(MRA250A)-[PSA]-[FNE]	DIMENSION: [UNIT: MM]	CASE STUDY:
(MRB290A)-[PSA]-[FNE]	DIMENSION: [UNIT: MM]	CASE STUDY:
(MRB400A)-[PSA]-[FNE]	DIMENSION: [UNIT: MM]	CASE STUDY:

[PSA]-[FNA] Bollard with Inner Flange Fixed by Anchor		DIMENSION: [UNIT: MM]
NOTES: Custom Installation and Accessories Referred to Another Specification Catalogue of Fixing Kits.		
(MRA150A)-[FLC]-[PSA]-[FNA]	<p>DIMENSION: [UNIT: MM]</p> <p>80/3.15" 150/5.9"</p> <p>[FLC] L600/23.6" L900/35.4" L1200/47.3" L1500/59.1" L1800/70.9"</p> <p>[PSA] L620/24.4" L920/36.2" L1220/48" L1520/59.8" L1820/71.7"</p> <p>[FNA] L380/15"</p>	CASE STUDY: 
(MRA250A)-[FLC]-[PSA]-[FNA]	<p>DIMENSION: [UNIT: MM]</p> <p>80/3.15" 250/9.84"</p> <p>[FLC] L600/23.6" L900/35.4" L1200/47.3" L1500/59.1" L1800/70.9" L2400/94.5"</p> <p>[PSA] L620/24.4" L920/36.2" L1220/48" L1520/59.8" L1820/71.7" L2420/95.3"</p> <p>[FNA] L510/20"</p>	CASE STUDY: 
(MRB290A)-[FLC]-[PSA]-[FNA]	<p>DIMENSION: [UNIT: MM]</p> <p>140/5.51" 290/11.4"</p> <p>[FLC] L600/23.6" L900/35.4" L1200/47.3" L1500/59.1" L1800/70.9" L2400/94.5"</p> <p>[PSA] L620/24.4" L920/36.2" L1220/48" L1520/59.8" L1820/71.7" L2420/95.3"</p> <p>[FNA] L510/20"</p>	CASE STUDY: 
(MRB400A)-[FLC]-[PSA]-[FNA]	<p>DIMENSION: [UNIT: MM]</p> <p>140/5.51" 400/11.4"</p> <p>[FLC] L600/23.6" L900/35.4" L1200/47.3" L1500/59.1" L1800/70.9" L2400/94.5"</p> <p>[PSA] L620/24.4" L920/36.2" L1220/48" L1520/59.8" L1820/71.7" L2420/95.3"</p> <p>[FNA] L510/20"</p>	CASE STUDY: 

[MRA380A-STOOL]:	DIMENSION: [UNIT: MM]	CASE STUDY: L1200H435MM
 <p>Carbonized Wood Sylvestris Pinus: Thickness 30mm/1.2" Available be painted.</p>	<p>L510: 510/20" L1210: 1210: 48" L1810: 1810/71.3"</p>  <p>W510/20"</p> <p>H435: 435/17" H535: 535/21"</p> <p>[FNE] L150/6"</p>	

[MRA380A-TABLE]:	DIMENSION: [UNIT: MM]	CASE STUDY:
 <p>Carbonized Wood Sylvestris Pinus: Thickness 30mm/1.2" Available be painted.</p>	<p>L510: 510/20" L1210: 1210: 48" L1810: 1810/71.3"</p>  <p>W510/20"</p> <p>H800/31.5" H1100/43.3"</p> <p>[FNE] L150/6"</p>	