

INTRODUCTION

GTF5532A: LED LIGHT FIXTURE

FEATURE

Durable Optimized LED Lighting
 Skilled Manufacturing Technology
 Long Lifespan >50,000hours
 Working Temperature: -15°C~40°C

MAIN MATERIAL

LED Brand: GUBO
 Driver Brand: GUBO
 Housing: Galvanized Steel Fixture
 Diffuser: Antiglare Opal PE Diffuser

INSTALLATION

[MFS]: Flush Surface Mounted
 [MPW]: Wire Pendant
Available on 4" Deep Jbox
 Suitable for Interior Lighting

STANDARD

Designed and Manufactured to Comply with
 TUV/CB/CE/RoHS/SAA/Erp/cUL/FCC
 IP20 Protection, Class I & II Electrical

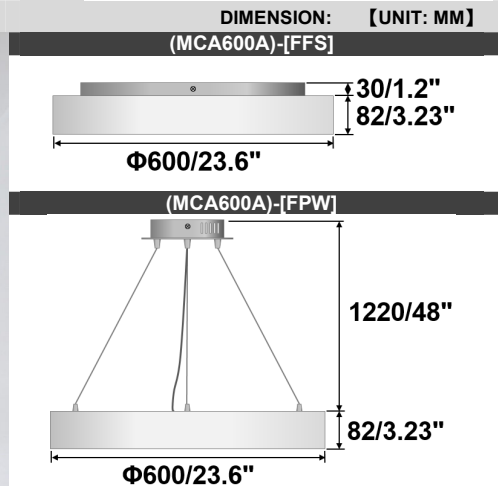
OPTION

LED CCT: 1,800K~10,000K/R/G/B/Y
 [CRI]: [E] RA80, [G] RA90, [H] RA97

100-277V	WARRANTY	SMD	120°	IP20	IK06	EURO	USA.CA
(MCA600A)-[FFS]				(MCA600A)-[FPW]			



CASE STUDY:



MODEL	POWER [W]	LED TYPE	CCT [K]		CRI	FLUX [LM]	POWER FACTOR	BEAM ANGLE	OPTIONAL DIMMING	INPUT [V]	
GTF5532A-MCA600A	30W	240x0.5W SMD2835	H2700K	H6000K	RA97	2160	>0.9	120°	[CDT]: TRIAC(10%)	AC100~277V [AC100~240V] [AC100~347V] 50/60Hz	
			H3000K		RA97	2360			[CDV]: 0/1~10V(8%)		
			H3500K		RA97	2360			[CDV0]: 0~10V(1%)		
			H4000K		RA97	2650			[CDV1]: 1~10V(10%)		
			H5000K		RA97	2650			[CDX]: DMX512(1%)		
	2C@30W	TWH	H2700K	H6000K	RA97	2160	>0.9		[CDA]: DALI(1%)	[CV DC12V]	
	4C@30W	RGBWH	620nm	520nm	460nm	H2700K	\	2160	>0.9	[CRZ]: ZIGBEE(1%)	[CV DC24V]
	5C@30W	RGBTWG	620nm	520nm	460nm	H2700K	H6000K	\	2160	>0.9	[CRB]: BLUETOOTH(1%)
									[CRF]: 2.4G RF(1%)		

NOTE:

All parameters are measured at 25°C ambient temperature, 35% humidity experimental environment.
 Tolerances of power and luminous flux are ±10%, tolerance of color rendering index is ±5.