

LED Gas Station Canopy Light

GS-01-G3



Better solutions for Led Gas Station Canopy Light

- IP65 water-proof**
- AC100-277V 50/60Hz**
- Easy Installation**
- 150Lm/w**

Operating Temp.: -40°C~+50°C **Storage Temp.:** -40°C~+80°C

Options

Power MEAN WELL DRIVER ELG series A:Standard ELG series B:Dimmable 0-10V ELG series DA:Dimmable DALI	Color 3000K 4000K 5700K
-------------------------------------------------------------------------------------------------------------------------	-----------------------------------------



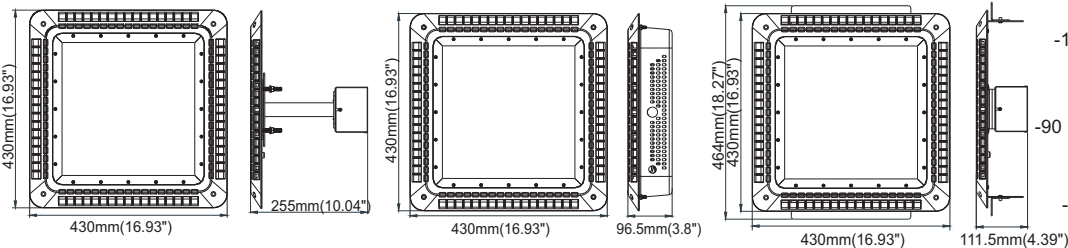
Application

The LED Gas Station Light provides a energy saving solution to a wide spectrum of applications including, but not limited to security lighting in schools, office complexes, light commercial development, apartments, parking garages, entryways, and stairwells. It also can be used in workshop, warehouse, parking lot, toll gate, gas station, supermarket, exhibition hall, gym and other places.

Specifications

Item	Power	Lumen	Leds	CRI	Weight	Beam Angle
GS60W-01-G3	60W	9000Lm	LUMILEDS 3030	> 80	7.7kg	120°
GS80W-01-G3	80W	12000Lm	LUMILEDS 3030	> 80	8.2kg	120°
GS100W-01-G3	100W	15000Lm	LUMILEDS 3030	> 80	8.6kg	120°
GS120W-01-G3	120W	18000Lm	LUMILEDS 3030	> 80	8.6kg	120°
GS150W-01-G3	150W	22500Lm	LUMILEDS 3030	> 80	9.3kg	120°
GS180W-01-G3	180W	27000Lm	LUMILEDS 3030	> 80	9.7kg	120°
GS200W-01-G3	200W	30000Lm	LUMILEDS 3030	> 80	9.7kg	120°

Dimensions(mm)

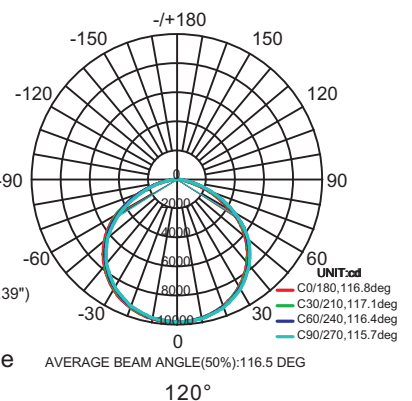


P1 Hanging installation (Standard)

P2 Surface mounting installation

P3 Recessed Installation Frame

Photometry



Model Options



P1 Hanging installation (Standard)



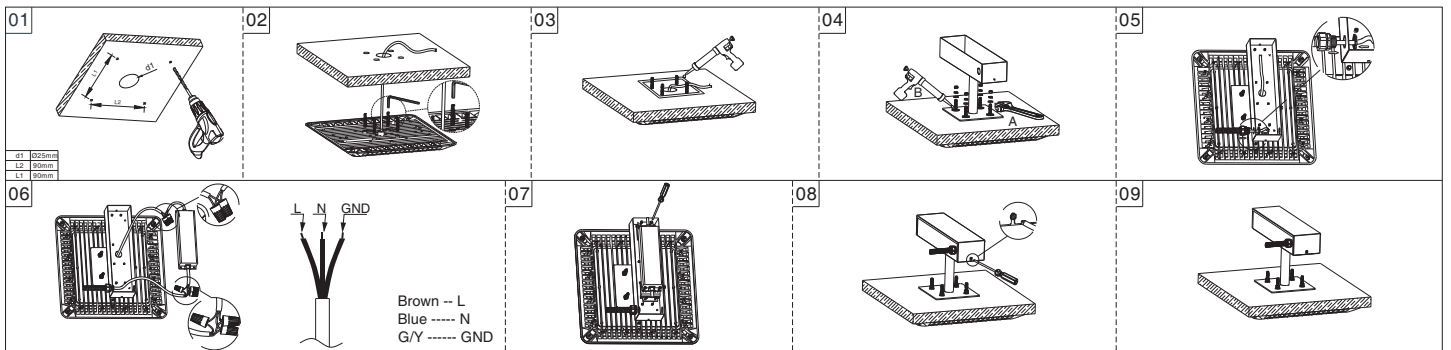
P2 Surface mounting installation



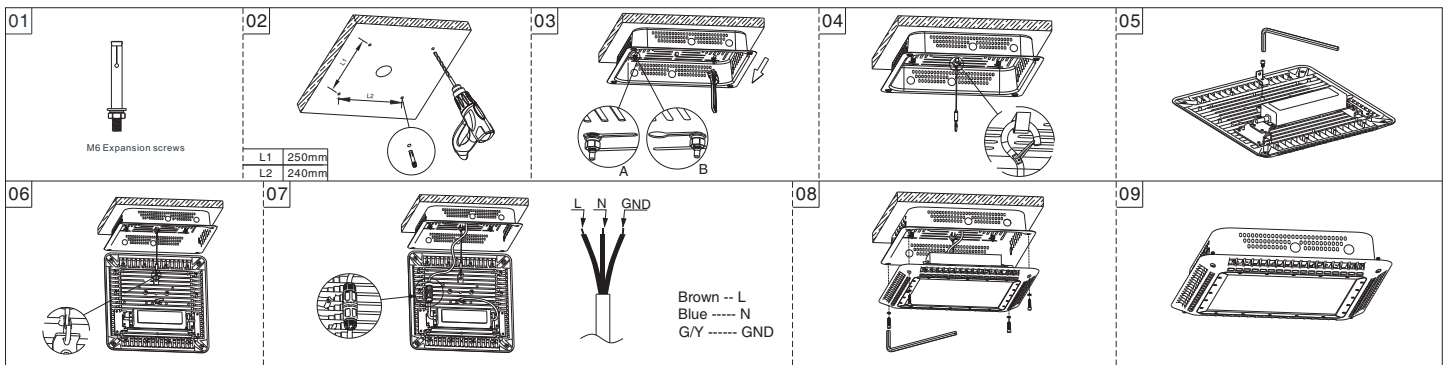
P3 Recessed Installation Frame

Installation and use

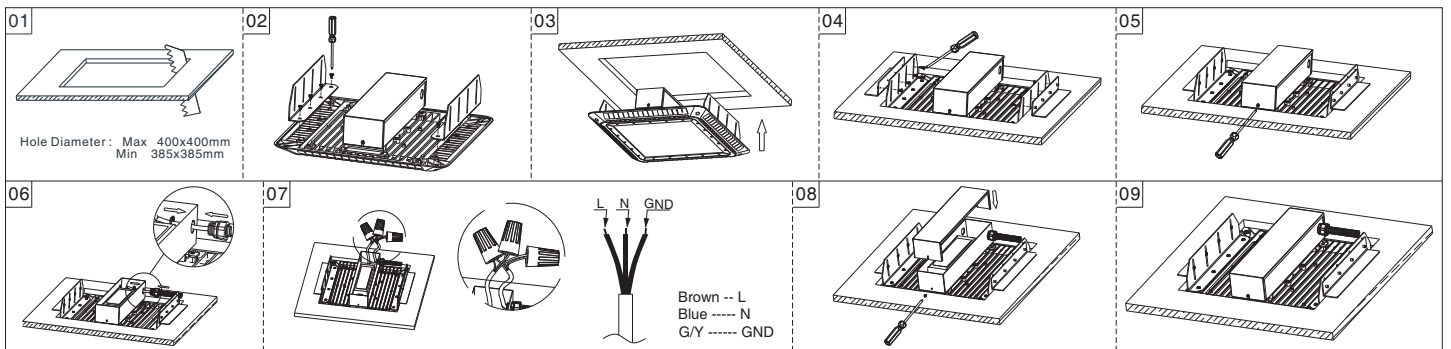
P1 Hanging installation (Standard)



P2 Surface mounting Installation



P3 Recessed Installation Frame



Packing Spec

Item	Box			Carton		
	Measurement(mm)	Gross weight	Pcs/box	Measurement(mm)	Gross weight	Pcs/box
GS60W~200W-01-G3	L500*W500*H180	8.76kg	1	/	/	/