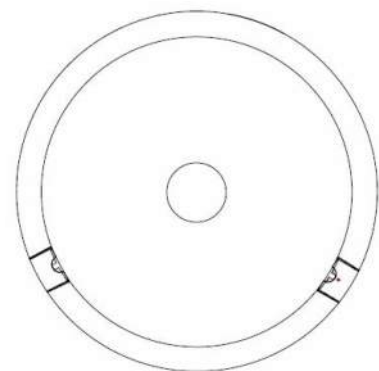
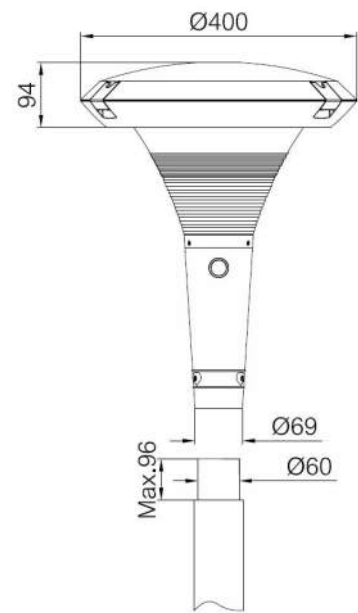
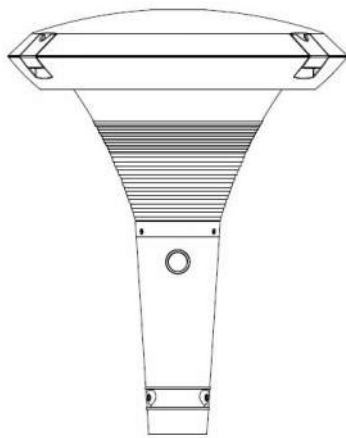


The Soul of the City

- Creating an appealing, comfortable atmosphere with its own color signature
- Coming with more energy savings and enabling Smart City management

CIP - Unni 74 area and site luminaire is an innovative solution that delivers an excellent combination of performance and visual comfort. It brings architectural style to area/site and pedestrian scale applications. Its day-form appearance brings a desired organic look into the urban environment, and the LED Optics provide a uniform pixelation free image, managing glare while providing high levels of visibility. This approach results in a high level of uniformity and vertical foot candles that enhances safety in the application environment



Net weight: 8.1Kg

EPA: 0.76 (Sq. Ft.)



Model number:

UNNI 74-S101PCXX-YVVV-ZZ

“Y” represents with or without dimming function. Can be : A,B,C or G; “A” means without dimming function; “B” means 0-10V dimming; “C” means timer modes dimming; “G” means with 0-10V driver inside and dimming by photocontroller;

“VVV” represents input power, can be : 025,035,060 or 080

“ZZ” represents CCT, can be 2200K, 3000K, 4000K, 5000K, 5700K

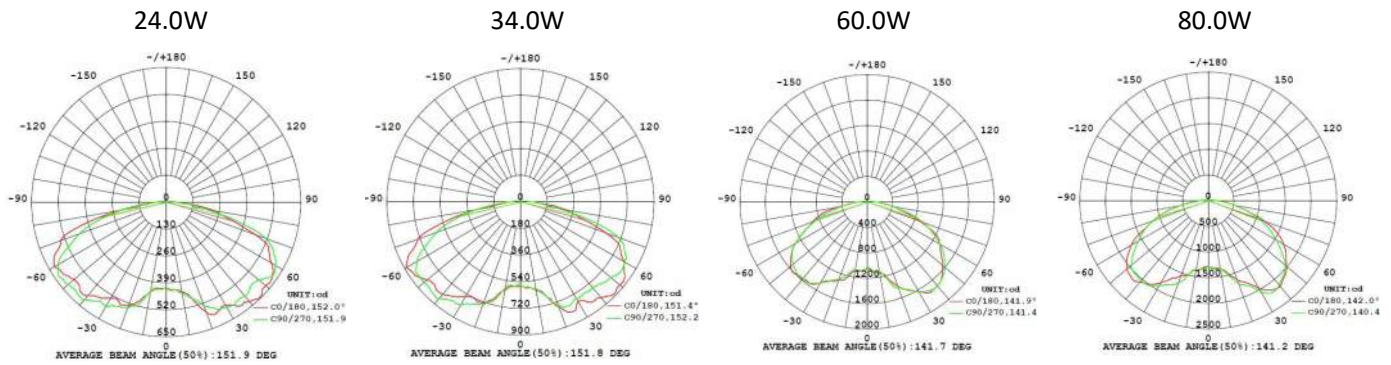
Features

Unni 74 Amazing plays a role as an ideal choice for Smart City management system. It provides dimmable, DALI control, Photo control, Motion sensor control and Zigbee for not only more energy savings but also smart city managing. In addition, Unni 74 Amazing represents a futureproof investment. The dome of the luminaire, which incorporates the LED module and the driver, is fully replaceable so you can benefit from future developments in LEDs and their associated efficiencies

- High output efficacy up to 115 LPW
- Internal hidden rotating axis structure design allows opening the fixture without compromising the exterior design
- Specialized corrosion resistant polyester Dual Powder Coating finish for outdoor application
- Polycarbonate with texture for a high uniformity of the light beam
- Dynamic thermal regulation protects LEDs and electronics under extreme temperatures
- Compact and Body designed to prevent fitting from water、dust、and bird droppings etc.,
- Self-cleaning and Tool free entry
- Replaceable driver unit and control gear
- 0-10V & 1-10V dimmable、DALI Control gear、Timer control、Zigbee control for Smart City management
- Photo sensor control 3P 5P 7P NEMA Socket & Twist-lock Receptacle
- Attached Microwave Motion Sensor available
- Common mode surge protection 6KV and Customized achievable up to 10KA and 20KA for option
- Die-cast aluminum optical assembly, lid, body and arms, thickness 3.0~3.5mm
- Future-proof and City-attractive, welcoming, convenient and safe

Nominal Wattage	Distribution	2700K CRI>80					4000K CRI>70					5000K CRI>70				
		Lumen	BUG Rating			lm/w	Lumen	BUG Rating			lm/w	Lumen	BUG Rating			lm/w
			B	U	G			B	U	G			B	U	G	
25.0W	Type V					2880	1	2	1	115.0						
37.0W	Type V					3960	2	2	1	107.0						
61.5W	Type V					6860	2	3	2	111.0						
78.5W	Type V					8808	3	3	2	112.0						

Light distribution curve



Construction & Housing

- IP66 Rated housing is cast from corrosion resistant aluminum, maintaining strength and precision to sustain long term dayform appearance and service life
- Build-in Aluminum profile heat sink directly connected with external housing for better heat transfer
- Stable mechanical system prevents damage from installation generated vibration
- External Polycarbonate shade thickness 4mm, UV resistant F1 and Fire rating V0
- Molded silicone gasket throughout ensures the sealing and provides ingress protection
- IK09 rated enclosure protects electrical equipment against external mechanical impacts
- Body designed to prevent fitting from water, dust, and bird droppings etc., and reachable with Self-cleaning
- Tool-less opening

Finish

- Utilizes premium ultra-weatherable **AKZO** polyester powder coatings to withstand extended outdoor exposure, providing excellent resistance to corrosion, ultraviolet degradation and abrasion under **10 years lifetime**
- Good film appearance combined with excellent mechanical and exterior exposure qualities display greater than twice as much gloss retention
- **Special Seaside application finishing with 10 years guarantee** is provided at MOQ 200pcs
- Finish is compliant with 1500hrs salt spray. **3000hrs salt spray is provided** at MOQ 500pcs
- Standard color includes Dark Bronze (RAL8019), Anthracite Grey (RAL7016) and Black (RAL9005)
- RAL & Customized color available with MOQ 200pcs

Optic

Greater than 93% efficiency interior optical lens working with a specially designed and manufactured exterior Polycarbonate shade controls excellently the brightness, distribution and uniformity. It delivers visual-comfort elements and ensure glare-free illumination, providing a comfortable and safe atmosphere to your space. The Polycarbonate shade materials is made by Mitsubishi. It's high-degree uniformity and 4mm thickness, UV resistant and fire rated, strong enough to withstand extended outdoor exposure for long time application

Light Performance

- Visual comfort and Glare control. SDCM≤3
- Luminaire output efficacy up to 115 LPW
- Light distribution Symmetric Type V
- High performance optics and uniform light distribution with ingenious scattering reflection design

- CCT 2200K, 2700K, 4000K, 5000K and 6000K offered as standard. **Amber color offered as customized**
- 2200K and 2700K at Minimum CRI 80; 4000K, 5000K and 6000K at Minimum CRI 70. **Customized CRI is Provided**
- EPA (Effective Projected Area): 0.76 (Sq. Ft.)

Electrical

- LED modular and heat sink are directly mounted to upper housing thermal pad for optimal thermal performance
- Protection Class I offered as standard. **Class II offered as customized**
- Input voltage 100-277Vac 50/60Hz. 347V-480Vac 60Hz contact manufacturer for availability
- PF>0.92 at full load. THD<10% at full load.
- Integral 6KV surge protection offered as standard (80W is 10KV). **10KA 20KA SPD offered as customized**
- Replaceable driver unit and control gear
- Powered off automatically when opening the fixture

Dimming and Controls

- 0-10V & 1-10V dimmable, dimming range from 10% to 100%
- DALI Control gear dim-to-off
- Timer dimmable with 3 timer modes: Self Adapting-Midnight; Self Adapting-Percentage and Traditional timer
- 3P NEMA Socket, traditional on/off photoelectric control
- 5P NEMA Socket, wireless photoelectric control for added dimming feature
- 7P NEMA Socket, wireless photoelectric control for dimming and additional I/O connections for customer use
- Wireless Controls: On-Fixture Module with 7P NEMA Socket as Zigbee communication
- Integrated Microwave Motion sensor--on/off
- Detached dimming and occupancy Microwave Motion sensor for added dimming feature
- **Osram OPTOTRONIC driver offered as customized 4DIM in one device (StepDIM, AstroDIM, MainsDIM, DALI)**

Mountings

- 76mm (3.0'') Post-top mount for 60mm (2-3/8'') OD Tenon
- 89mm (3.5'') Post-top mount for 76mm (3'') OD Tenon **(Coming soon)**
- Flush mount 60mm (2-3/8'') O.D. Pole
- Flush mount 76mm (3.0'') O.D. Pole **(Coming soon)**

Installations and Maintenance

- Operating temperature Suggested at -30°C to 35°C (Extreme operating temperature at 40°C)
- Suggested installation height 2.5m(8ft) to 6.0m(20ft)
- Pole-top installation on poles with ending part Ø60mm and Ø76mm **coming soon**
- Tool-less opening and Easy maintenance on-site
- All external screws are in AISI 304 stainless steel. Screw connection block or as option an external IP connector
- 0.5m outlet Input cable offered as standard and customized cable length is acceptable
- Body designed to prevent fitting from water, dust, and bird droppings etc.,
- Self-cleaning

Lumens maintenance and Warranty

Ambient temperature	TM-21 Lumen Maintenance (60,000 Hours)	Calculated L80 (Hours)	Warranty time
25°C	>91%	>60,000	7 Years
30°C	>86%	>60,000	7 Years
35°C	>80%	>50,000	5 Years

CAUTION

Fixtures must be grounded in accordance with national, state and/or local electrical codes. Failure to do so may result in serious personal injury

