

## 45W LED Full Cutoff Wall Pack



### Features

- Lumileds LED, high luminous efficiency and long working life.
- High efficiency LED Driver, the wide range input voltage AC100-277V.
- Die Cast aluminium cooling design, high quality and better cooling for LED  $T_j < 85^{\circ}\text{C}$ .
- Excellent Optics design, greatly improve the light utilization and evenness.
- Motion sensor Control Available (Option)

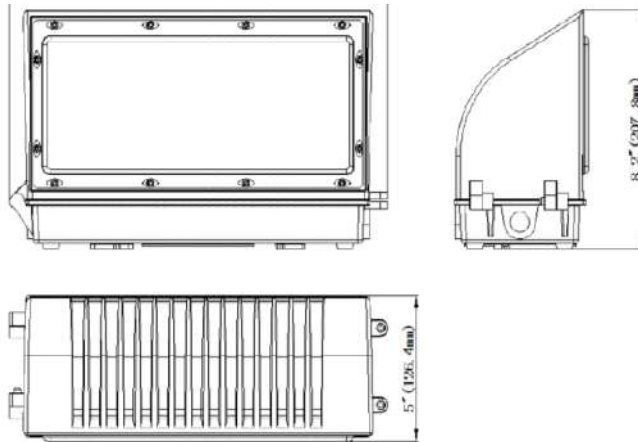
### Product Applications

C I P LED Full Cutoff Wall Pack series can be widely used in indoor or outdoor lighting (Wet location), like mechanical or electronic processing workshops, storage warehouses, steel mills, gas stations, toll booth, waiting rooms, the platforms of railway station, indoor stadiums.



## Specifications

Unit : inch(mm)



### Structure Features

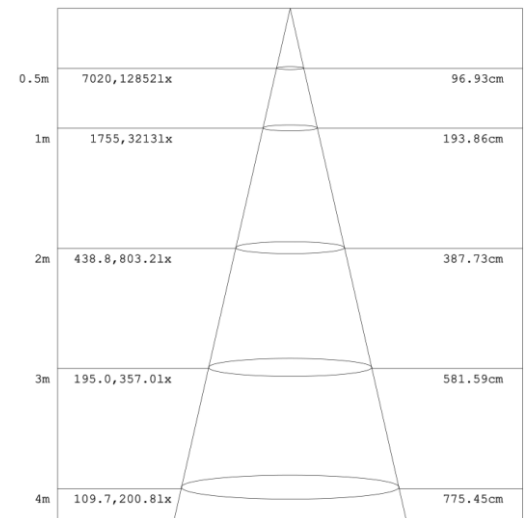
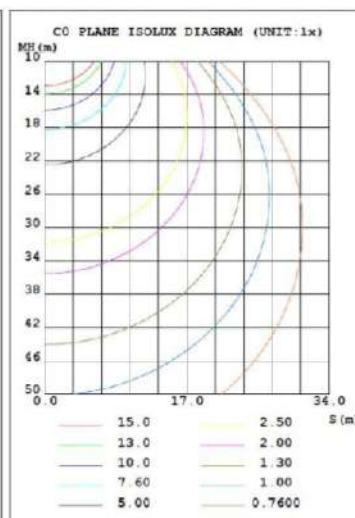
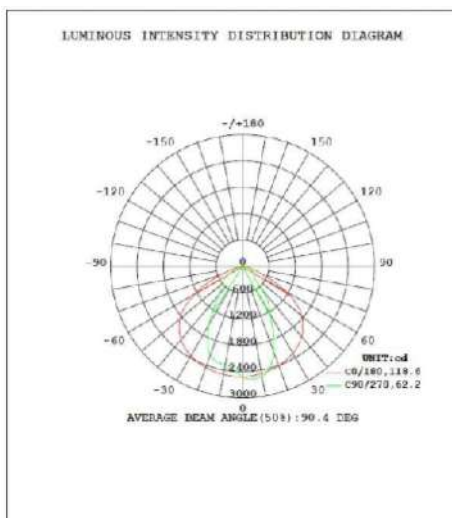
- Shell materials: Aluminum & PC.
- Finish: Dark Bronze/White
- Net weight : 2.9Kg (6.4 lbs)
- Product Size: 354.8mm\*207.8mm\*126.4mm
- Carton Size: 390mm\*267mm\*185mm

## Technical Parameters

### CIP-WSD-FWP45W27-XXK

Power	45W	Lighting Angle	62°x118°
Input Voltage	AC100-277V	LED Brightness Decay	<5%/6000 hrs
PF	>0.95	Working Life	>50000 hrs
Driver Efficiency	>90%	Working Temperature	-30 - +45°C
Luminous Flux	4800 Lm	Storage Temperature	-40 - +80°C
Color Temperature	3000K/4000K/5000K/5700K	Protection Level	Wet Location/IP65
CRI	Ra>80	Cable	Input Connect, No cable

## Photometry



### Example: CIP-WSD-FWP45W27-XXK-D-P

CIP-WSD	FWP	45W	27	50K	D	P
Company	Product	Power	Voltage	Color Temp	Finish	Control
	FWP	45W(45W)	27	30K(3000K)	D	P
CIP	Full Cutoff	07W(70W)	AC120-277V	40K(4000K)	Dark Bronze	Photocell
	Wall Pack		347	50K(5000K)	W	
			AC347V	57K(5700K)±500K	White	