

TP500

Spider Post Top Light

35W / 50W / 100W / 150W / 200W / 300W



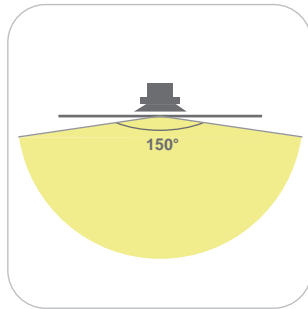
Specifications

Wattage	35W	50W	100W	150W	200W	300W
Installation height (Suggested)	10'-15'	15'-20'	25'-30'	30'-35'	35'-40'	40'-45'
LED Chips	SMD 3030, Philips or other LED chip					
Driver Brand	Meanwell / SOSEN, or other LED driver					
Material	Aluminum alloy+PC lens					
Color Temp	3000K / 4000K / 5000K / 6000K					
Lumen	4550LM / 6500LM / 13000LM / 19500LM / 26000LM / 39000LM					
AC Input Voltage	100-277V / 120-347V / 180-480V					
Light Distribution	Type V (120°) / Type V (150°) / Type III (90°*140°)					
Mounting Methods	Mount Tenon: 2 3/8" or 3" Round Tenon (Adapters available)					
Thermal Management	Superior thermal management with external Air-Flow fins					
Ambient Temperature	-40°C to +45°C(-40°F to +113°F)					
Total Harmonic Distortion (THD)	< 15%					
Housing	Bronze or Black Finish					
Lifetime	50,000H					
IP Rating	IP65					
Warranty	5 years					

Features

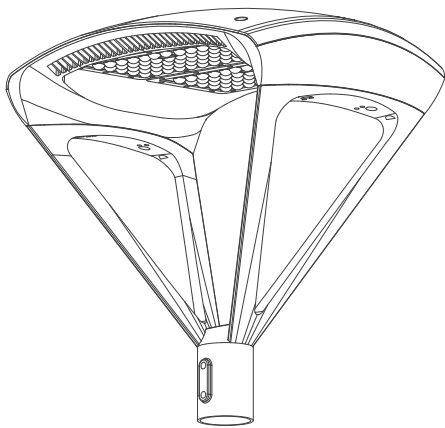


ADC12 Die casting

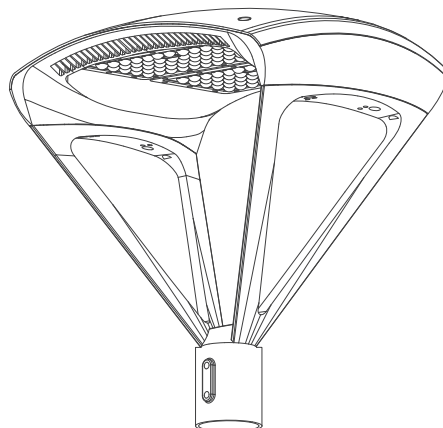


Beam angle 150°

Two Mount for optional

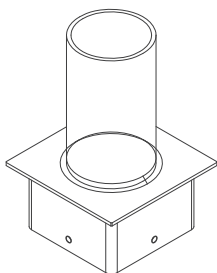


2 3/8" (60mm round pole)

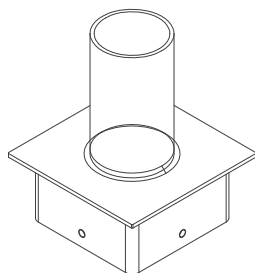


3" (76mm round pole)

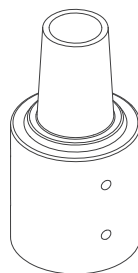
Adapters (suitable for 2 3/8" mount)



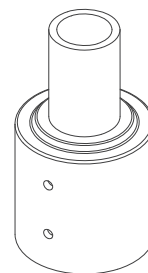
4" SQ



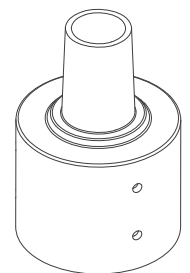
5" SQ



3" RD



4" RD

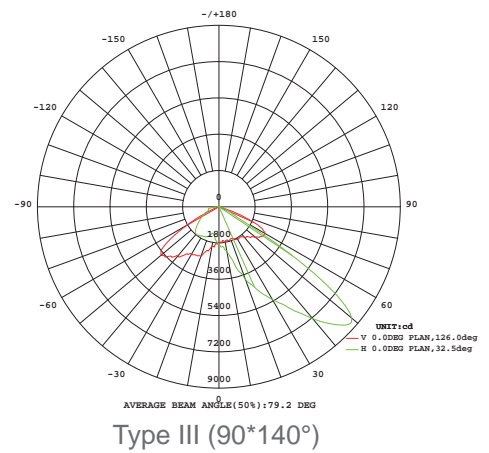
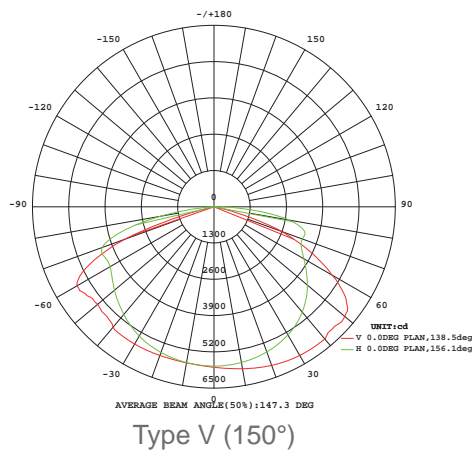
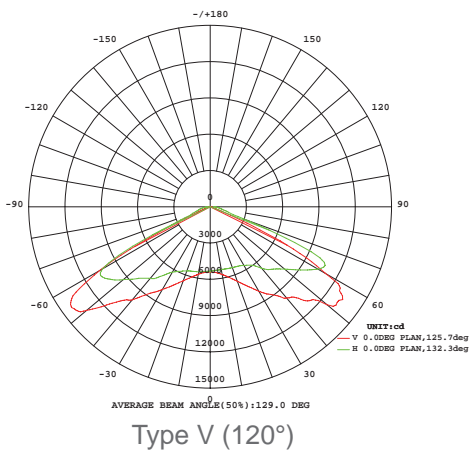


5" RD

CCT & Power Select



Light Distribution



Applications



Parking Lot



Square

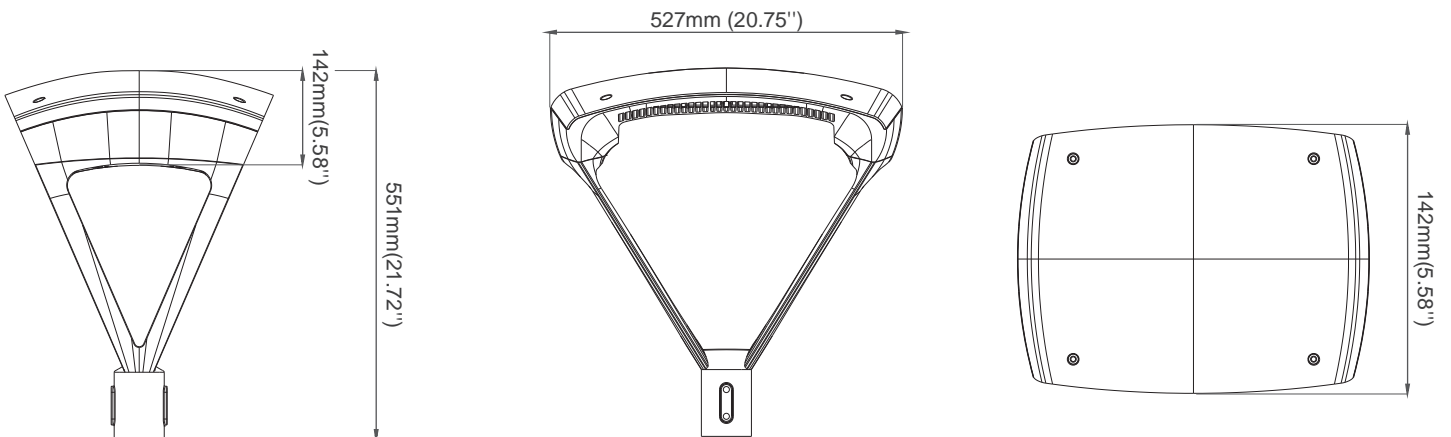


Library

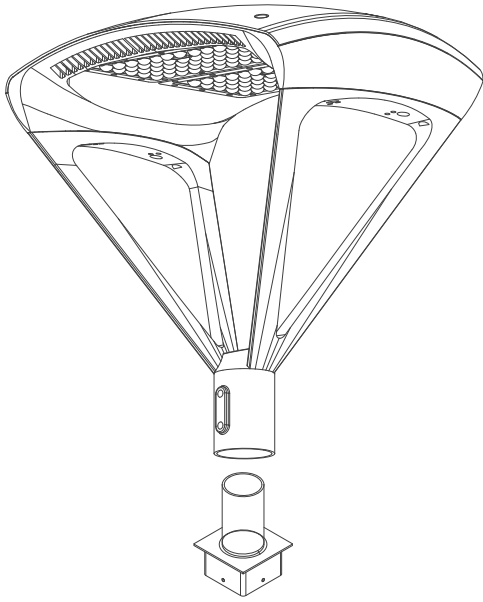


Roadway

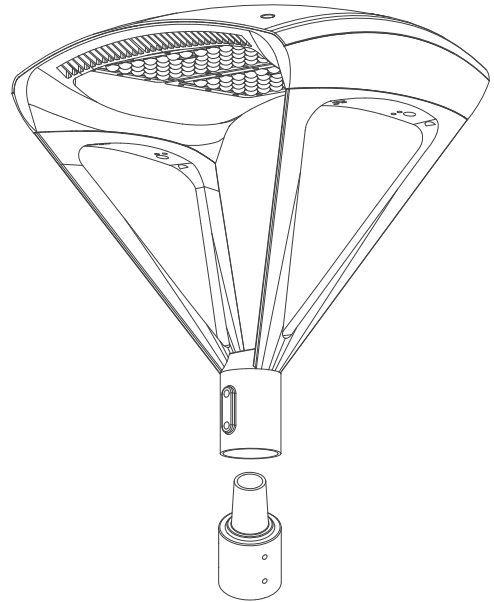
Dimension



Installation

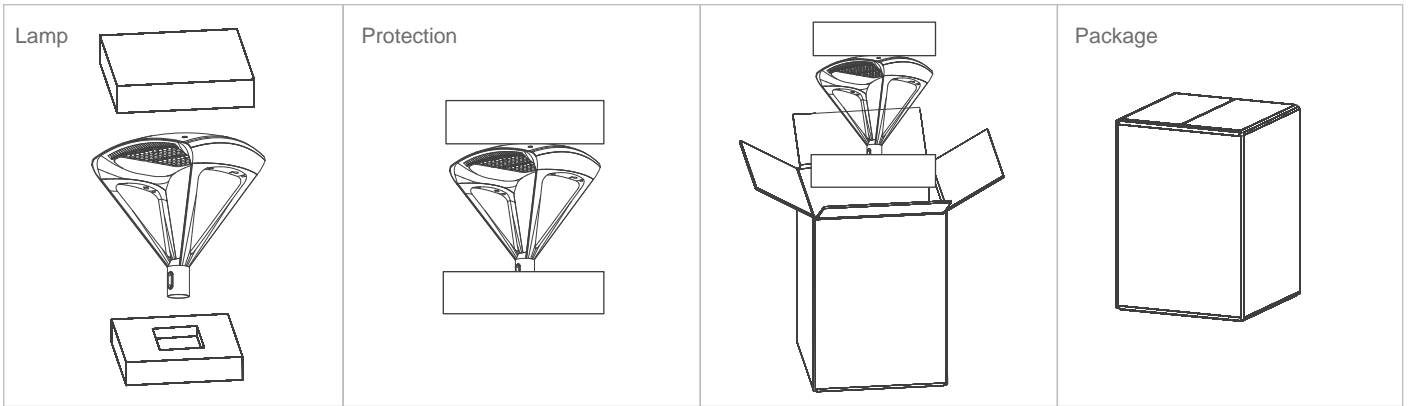


Square pole



Round pole

Packaging information



Wattage	Product Dimension (mm/in)	Carton Box Dimension	N.W (Kg/lb)	G.W (Kg/lb)	QTY / CTN
35W	552 x 527 x 402mm 21.72 x 20.75 x 15.84 in	630 x 610 x 510mm 24.80 x 24.02 x 20.08 in	11.0Kg(24.25lb)	12.2kg(26.80lb)	1 PCS
50W	552 x 527 x 402mm 21.72 x 20.75 x 15.84 in	630 x 610 x 510mm 24.80 x 24.02 x 20.08 in	11.0Kg(24.25lb)	12.2kg(26.80lb)	1 PCS
100W	552 x 527 x 402mm 21.72 x 20.75 x 15.84 in	630 x 610 x 510mm 24.80 x 24.02 x 20.08 in	11.7Kg(25.79lb)	12.9kg(28.50lb)	1 PCS
150W	552 x 527 x 402mm 21.72 x 20.75 x 15.84 in	630 x 610 x 510mm 24.80 x 24.02 x 20.08 in	12.2Kg(26.90lb)	13.4kg(29.50lb)	1 PCS
200W	552 x 527 x 402mm 21.72 x 20.75 x 15.84 in	630 x 610 x 510mm 24.80 x 24.02 x 20.08 in	13.2KG(29.10lb)	14.4kg(31.80lb)	1 PCS
300W	552 x 527 x 402mm 21.72 x 20.75 x 15.84 in	630 x 610 x 510mm 24.80 x 24.02 x 20.08 in	13.2KG(10.58lb)	14.8kg(32.60lb)	1 PCS

