

Class 2 multi-channels 180W 192W

0-10V/1-10V/Potentiometer/10V PWM (4 in 1) Dimmable led driver



■ Features:

- Output constant voltage
- Range: 100-305VAC, Typical: 110-277VAC
- Built-in PFC function, PF>0.95
- Efficiency > 89%
- Protections: short circuit/over voltage/over temperature
- Cooling by free air convection
- Dimming function: 0-10V/ 1-10V/ 10V PWM or Resistor dimmable.
- Suitable for LED lighting and moving sign applications
- Compliance to worldwide safety regulations for lighting
- PWM output, does not change the color index
- Dimming range: 0-100%
- Suitable for dry/damp/wet locations
- 7 years warranty

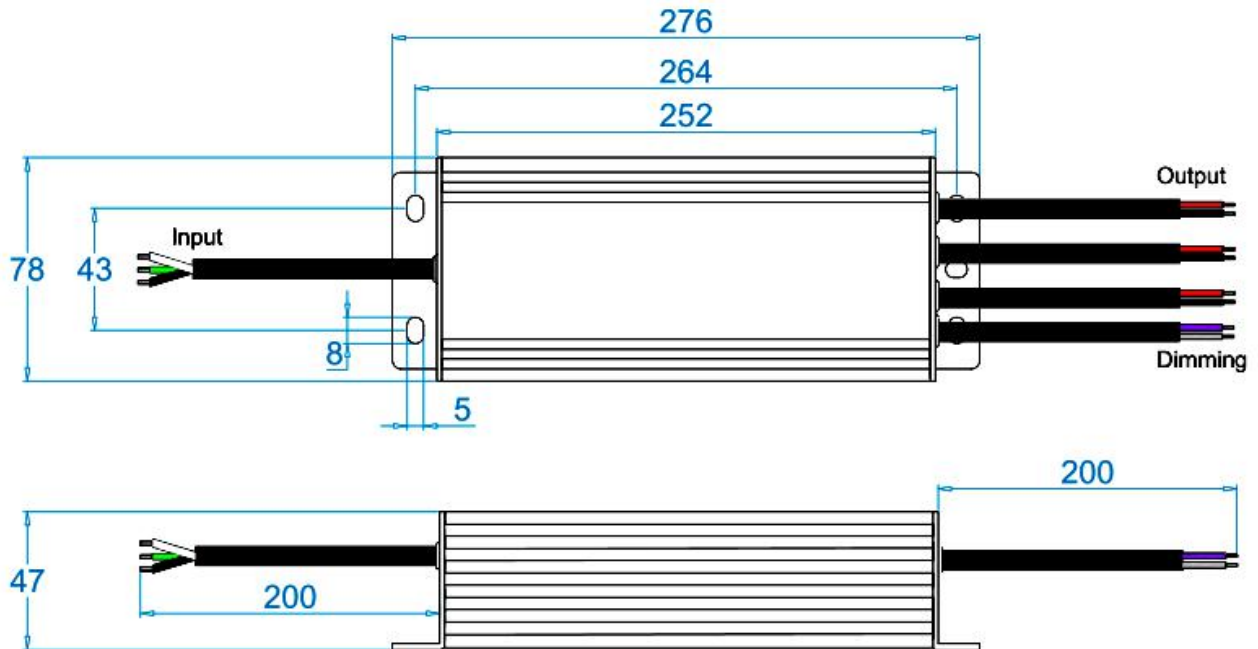
Specification



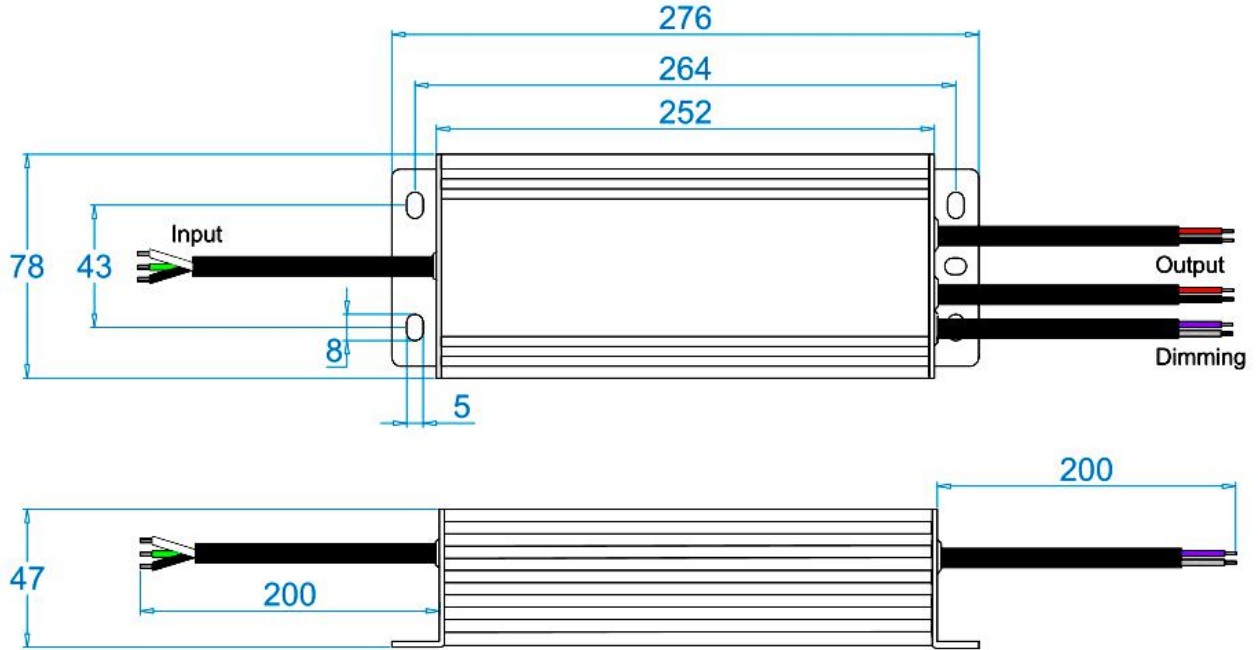
Model		CIP-SMT-012-180VDHW2	CIP-SMT-024-192VDHW2
Output	DC Voltage	12V	24V
	Rated Current	3*5A	2*4A
	Rated Power	180W (3*60W)	192W (2*96W)
	Voltage Tolerance	±0.5V	
	Voltage Regulation	±0.5%	
	Load Regulation	±1%	
Input	Voltage Range	100-277VAC	
	Frequency Range	47-63Hz	
	Power Factor (Typ.) @ full load	0.99@120VAC 0.94@277VAC	0.99@120VAC 0.94@277VAC
	THD (Typ.) @ full load	<20%	
	Efficiency (Typ.) @ full load	86%@120V 88%@277VAC	87%@120V 89%@277VAC
	AC Current (Max.)	2.2A@100VAC	2.3A@100VAC
	Inrush Current (Typ.)	19A ,50%,1.3ms @120VAC ; 38A,50%,960us @277VAC	
Leakage current	<0.50mA		
Protection	Short Circuit	shut down o/p voltage, re-power on to recover after fault condition is removed	
	Over Loading	≤120% Hiccup mode ,recovers automatically after fault condition is removed	
	Over temperature	100°C±10°C shut down o/p voltage, automatically recover after cooling.	

Environment	Working TEMP.	-40~+60°C (see below derating curve)
	Working Humidity	20~90%RH, non-condensing
	Storage TEM.,Humidity	-40~+80°C, 10~95%RH
	TEMP.coefficient	±0.03%/°C (0~50°C)
	Vibration	10~500Hz, 5G 10min./1 cycle,period for 60min. each along X,Y,Z axes
Safety & EMC	Safety standards	UL8750+UL1310
	Withstand voltage	I/P-O/P:1.88KVAC
	Isolation resistance	I/P-O/P:100MΩ/500VDC/25°C/70%RH
	EMC EMISSION	FCC 47 CFR Part 15 ,Subpart B
Others	Weight	1.7Kg
	Size	276*78*47mm (L*W*H)
	packing	440*295*145mm, 10pcs/CTN, 265*98*55 mm for inner box
Notes	1. All parameters NOT specially mentioned are measured at 110~277VAC input , rated load and 25°C of ambient temperature. 2. Tolerance:includes set us tolerance,line regulation and load regulation .	

■ Mechanical Specification



CIP-SMT-012-180VDHW2



CIP-SMT-024-192VDHW2

- ※ Input wire 18AWG Black and White to be connected to AC L and N ,Green wire go ground,
- ※ Output cable 2*16AWG,Red" (+) to LED Positive side (+) , "Black"(-) to LED Negative side (-).
Three groups output cables. of CIP-SMT-012-180VDHW2 and two groups of CIP-SMT-024-192VDHW2
- ※ Dimming cable 2*18AWG,DIM (+) Purple to 0/1-10V dimmer signal(+),DIM (-) Grey to 0/1-10V dimmer signal (-)Please DO NOT connect "DIM-" to "LED-", "DIM+" to "LED+", ,or other incorrect connection.
- ※Please make sure your connect these correctly otherwise your product will not function correctly and could be damaged.

■ Dimming Operation

- ※Built-in 4 in 1 dimming function, IP67 rated .Output constant current level can be adjusted through output cable by connection a resistance or 0/1-10V DC or 10V PWM signal between DIM+ and DIM-
- ※Reference resistance value for output current adjustment (Typical)

Resistance value	Single drive	0Ω	10KΩ	20KΩ	30KΩ	40KΩ	50KΩ	60KΩ	70KΩ	80KΩ	90KΩ	100KΩ	OPEN
	Multiple drivers	0Ω/ N	10KΩ/ N	20KΩ/ N	30KΩ/ N	40KΩ/ N	50KΩ/ N	60KΩ/ N	70KΩ/ N	80KΩ/ N	90KΩ/ N	100KΩ/ N	—
Percentage of rated current		0%	10%	20%	30%	40%	50%	60%	70%	80%	90%	100%	102%-108%

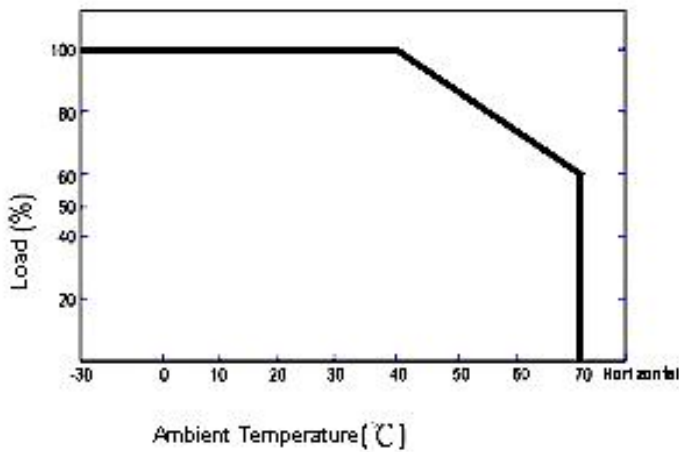
- ※1-10/0-10V dimmable function for output current adjustment(Typical)

Dimming value	0V	1V	2V	3V	4V	5V	6V	7V	8V	9V	10V	OPEN
Percentage of rated current	0%	10%	20%	30%	40%	50%	60%	70%	80%	90%	100%	102%-108%

※10V PWM signal for output current adjustment (Typical): Frequency range:100Hz-3KHZ

Duty value	0%	10%	20%	30%	40%	50%	60%	70%	80%	90%	100%	OPEN
Percentage of rated current	0%	10%	20%	30%	40%	50%	60%	70%	80%	90%	100%	102%-108%

Derating Curve



※Load carried in accordance with the load derating curve, according to the ambient temperature derating, in order to extend the service life

0/1-10V / Potentiometer / 10V PWM (4 in 1) Dimmable LED Driver connecting solution:

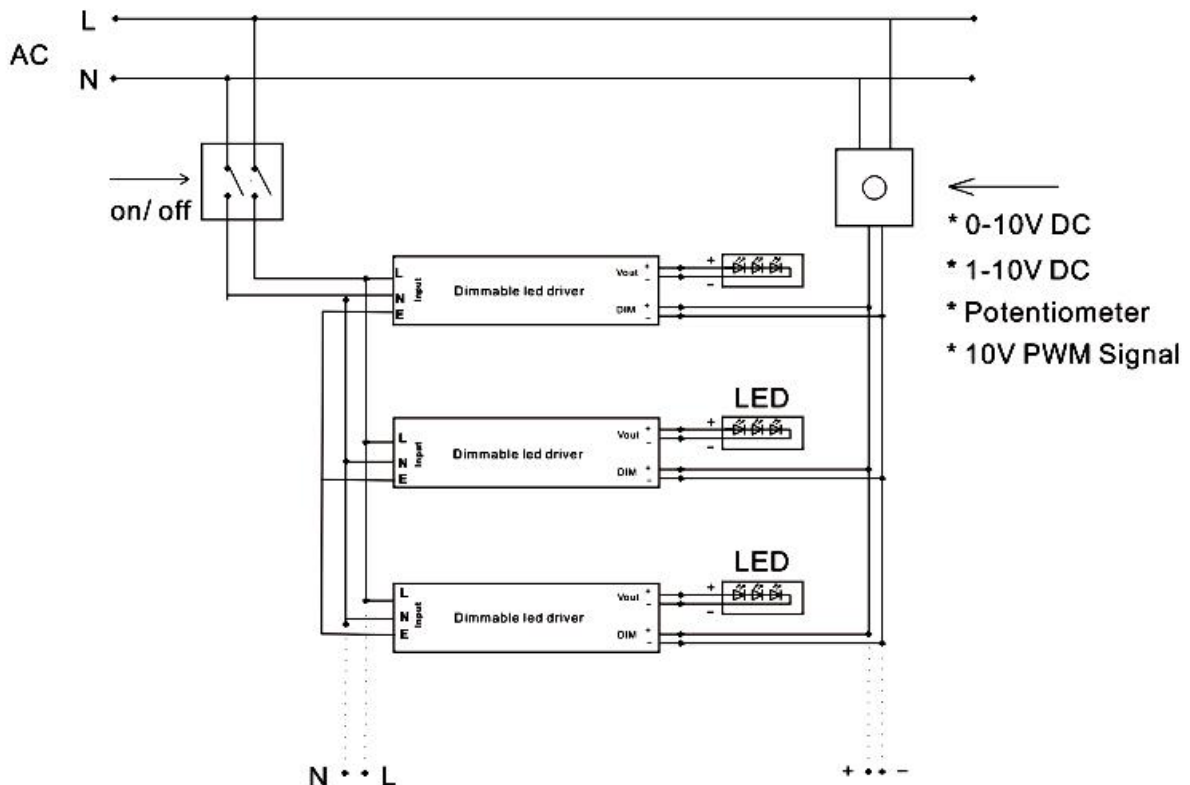


Diagram 1

Diagram 2 as below:

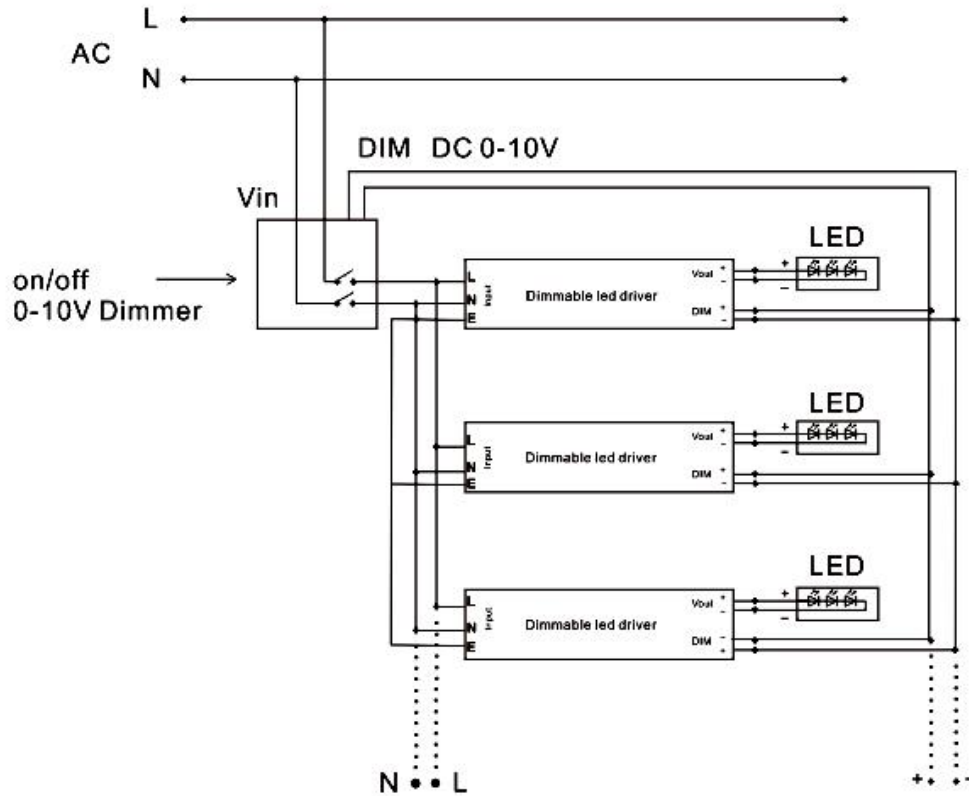


Diagram 2

■ Instruction:

- ※This driver should be installed by qualified and professional person;
- ※Please make sure the driver is installed with adequate ventilation around it to allow for heat dissipation.
- ※Ensure that wiring is correct before test in order to avoid light and power supply damage;
- ※If the dimmable LED drivers do not work normally, pl. don't maintain privately, but contact us.