

LED POST TOP LIGHT

Installation Guide



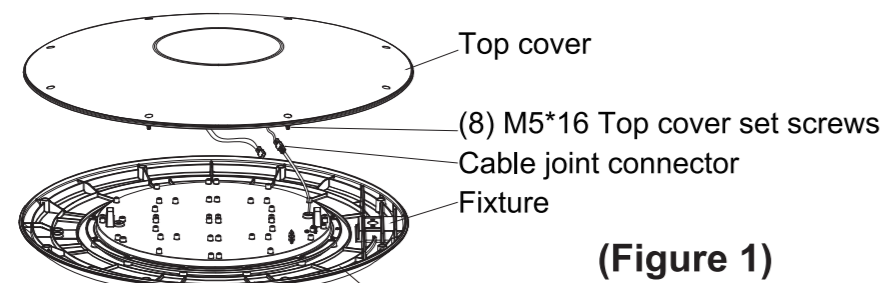
WARNING

PLEASE READ ALL INSTRUCTIONS BEFORE ATTEMPTING INSTALLATION

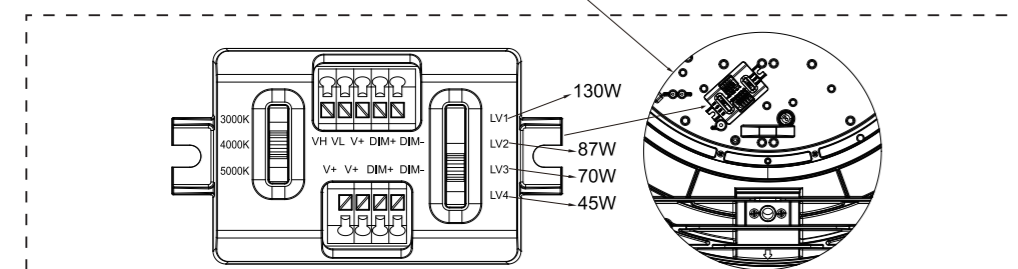
1. To prevent personal injury or product damage only licensed electricians should install.
2. To avoid electric shock or component damage disconnect power before attempting installation or servicing.
3. This product must be installed in accordance with the national electric code (NEC) and all applicable federal, state and local electric codes and safety standards.
4. Disconnect product and allow cooling prior to servicing.
5. Any alteration or modification of this product is expressly forbidden as it may cause serious personal injury, death, property damage and/or product malfunction.
6. To prevent product malfunction and/or electrical shock this product must be properly grounded.
7. This luminaire is designed to operate in ambient temperatures ranging from -40°C to 45°C and to be horizontally mounted with the LEDs facing down.
8. This product must be installed in accordance with the applicable installation code by a Person familiar with the construction and operation of the product and the hazards involved.
9. MIN 75°C SUPPLY CONDUCTORS.
10. CONSULT A QUALIFIED ELECTRICIAN TO ENSURE CORRECT BRANCH CIRCUIT CONDUCTOR.
11. CAUTION - RISK OF FIRE.
12. This product is not available for several special environments, such as places with corrosive gas liquids or high pressure water vapor.

Installation Guide (1)

1. Remove top cover by loosening eight (8) M5*16 top cover set screws and separate the cable joint connector.



(Figure 1)

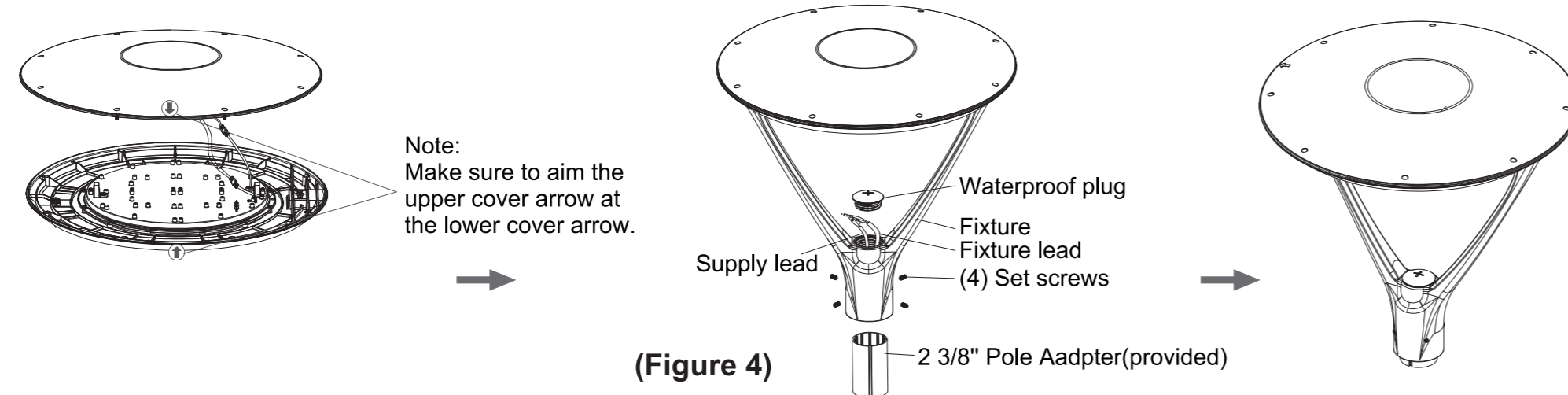


CCT Power Regulator Mode (Optional):

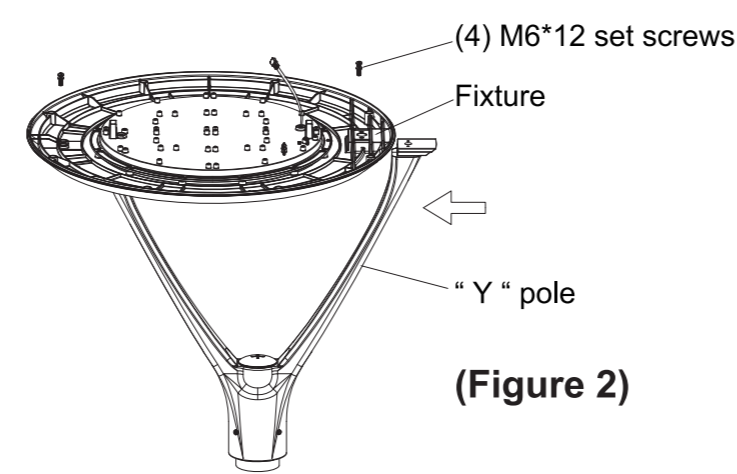
Remove the upper cover screws, open the cover, adjust the color temperature power regulator to the desired value as shown in the figure below, then close the cover and lock it with screws.

3. Feed supply wire through center of tenon and through center hole in post top arms and make cable joint connector connections with driver; and cover should snap into place according to the arrow; secure top cover with (8) M5*16 screws and make sure (8) rubber cover in the corresponding position.

4. (1) Unscrew the waterproof plug pull the fixture lead, center luminaire on tenon and tighten supplied set screws to securely mount luminaire to tenon and pull the fixture lead.
Remark: 3" tenon(default setting); 2 3/8" pole adapter provided.
(2) Connect wires (voltage to black, white to common, green to ground).
(3) Once connections are completely made, carefully push all wires down into the junction box and secure it with waterproof plug.

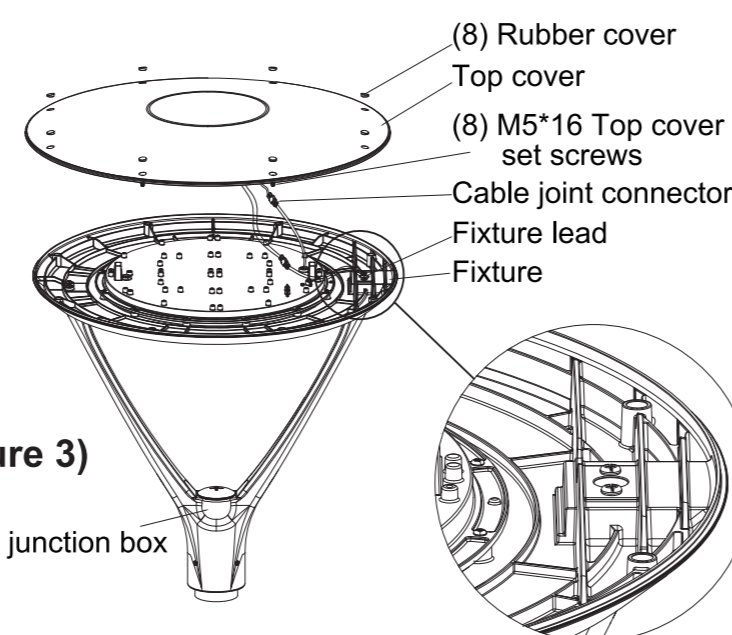


(Figure 4)



(Figure 2)

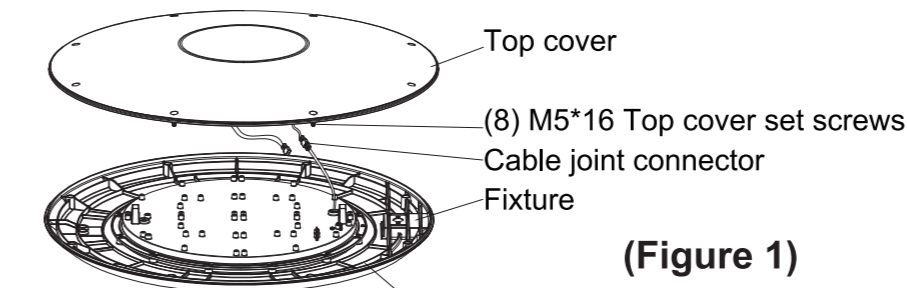
2. Push the Y-pole horizontally along the fixture track groove and secure the fixture and Y-pole with (4) M6*12 set screws.



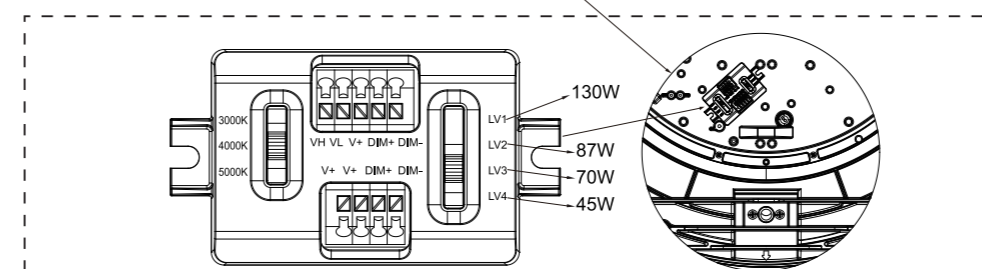
(Figure 3)

Installation Guide (2)

1. Remove top cover by loosening eight (8) M5*16 top cover set screws and separate the cable joint connector.



(Figure 1)

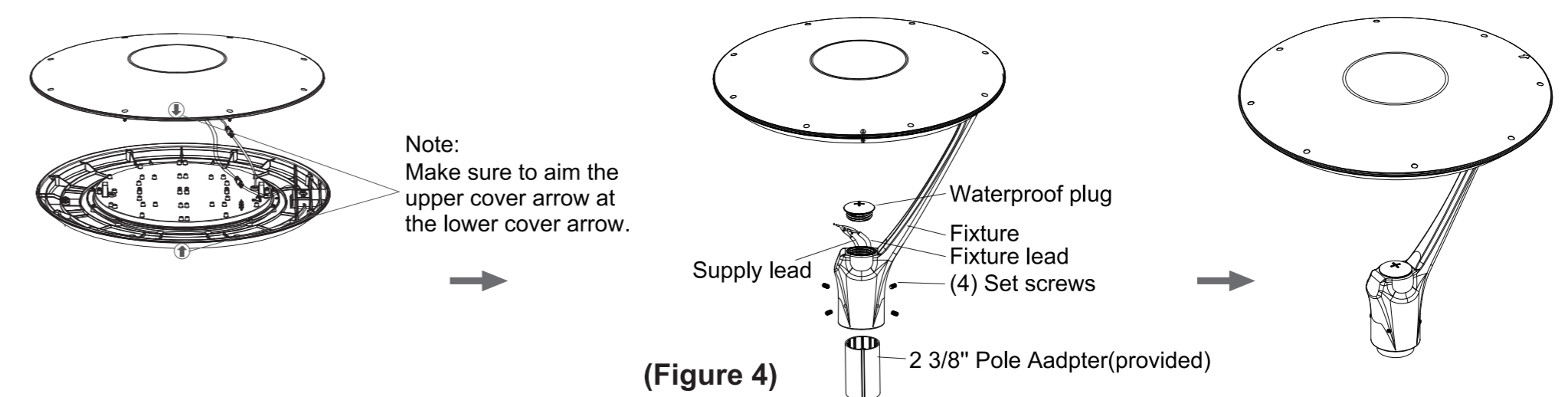


CCT Power Regulator Mode (Optional):

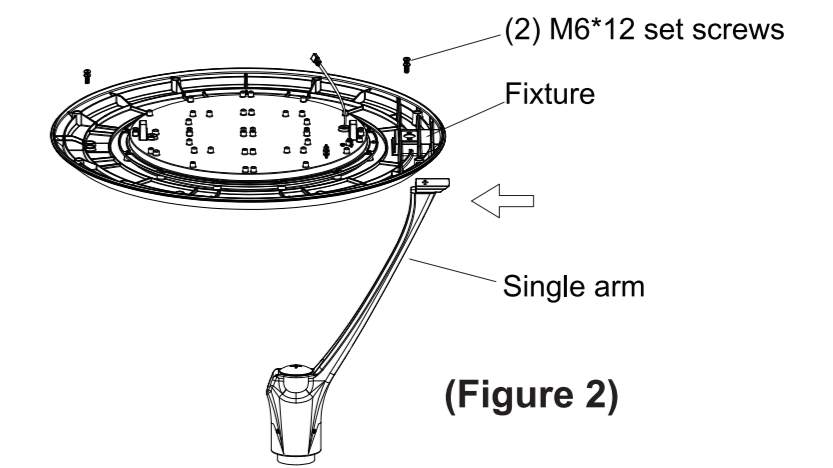
Remove the upper cover screws, open the cover, adjust the color temperature power regulator to the desired value as shown in the figure below, then close the cover and lock it with screws.

3. Feed supply wire through center of tenon and through center hole in post top arms and make cable joint connector connections with driver; and cover should snap into place according to the arrow; secure top cover with (8) M5*16 screws and make sure (8) rubber cover in the corresponding position.

4. (1) Unscrew the waterproof plug pull the fixture lead, center luminaire on tenon and tighten supplied set screws to securely mount luminaire to tenon and pull the fixture lead.
Remark: 3" tenon(default setting); 2 3/8" pole adapter provided.
(2) Connect wires (voltage to black, white to common, green to ground).
(3) Once connections are completely made, carefully push all wires down into the junction box and secure it with waterproof plug.

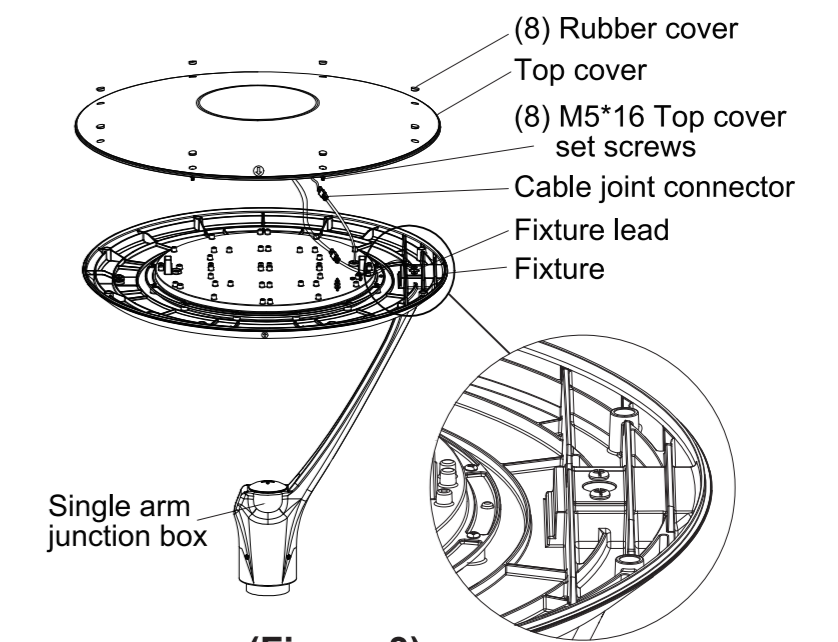


(Figure 4)

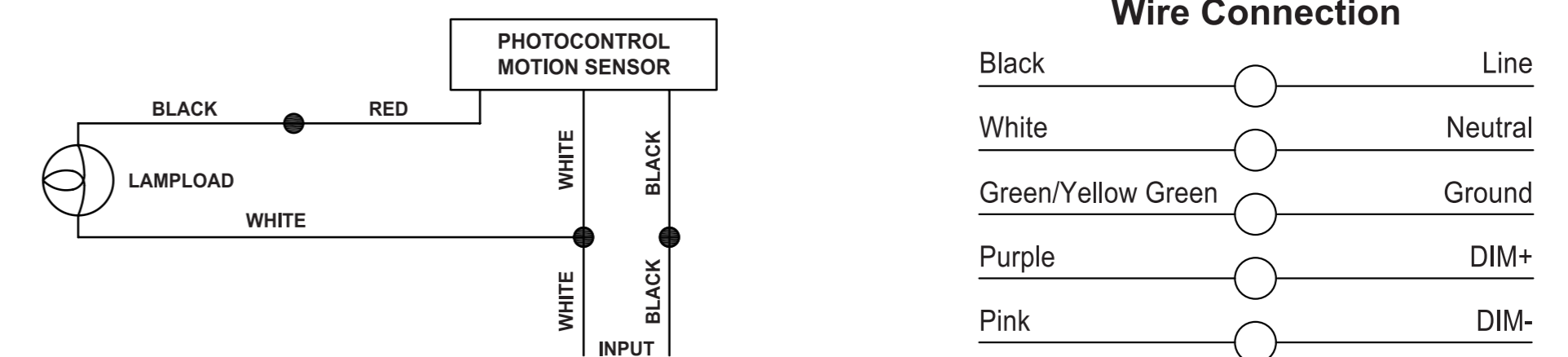


(Figure 2)

2. Push the single arm horizontally along the fixture track groove and secure the fixture and Y-pole with (2) M6*12 set screws.



(Figure 3)



Wire Connection

- Black — Line
- White — Neutral
- Green/Yellow Green — Ground
- Purple — DIM+
- Pink — DIM-