

# TPG6

# UFO Post Top Light

40W/ 60W/ 80W/ 90W / 100W / 150W / Power Switch



## Specifications

Part #: CIP-TPG6-W80-MTCP

(highlighted we try to keep in US stock)

Wattage	W80=(40W / 60W/ 80W) or W150 (75W/ 100W / 150W) Power Selectable
LED Chips	SMD 2835, Samsung or Other LED Chips
Driver Brand	SOSEN/ ZHIHE/ or Other Brand
Material	Aluminum alloy+ Tempered Glass
Color Temp	3000K / 4000K / 5000K / 3CCT Selectable
Mount Tenon	3" Round Tenon or 2 3/8" Round Tenon
Lumen	130-140LM/W (Higher LM/W can be provided)
AC Input Voltage	AC120-277V / AC120-347V / AC180-480V Available
Ambient Temperature	-40°C to +45°C
Exclusive Feature(1)	Photocell Sensor Available
Exclusive Feature(2)	Motion Sensor Available
Exclusive Feature(3)	Bluetooth Mesh + App for Smart Control Available
Exclusive Feature(4)	CCT / Power Tunable Optional
Finish	Black / Bronze / Customized Finish
Lifetime	50,000H
Warranty	5 years

## Feature



CCT Select



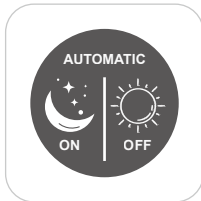
0-10V Dimming



Power Select



ADC12 Die casting

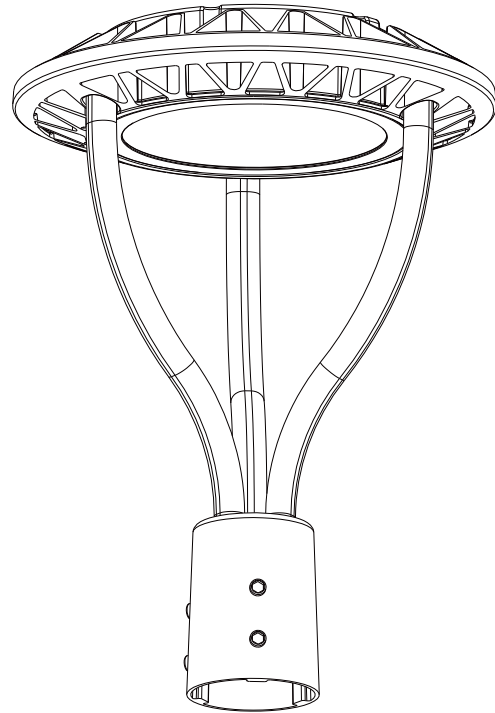
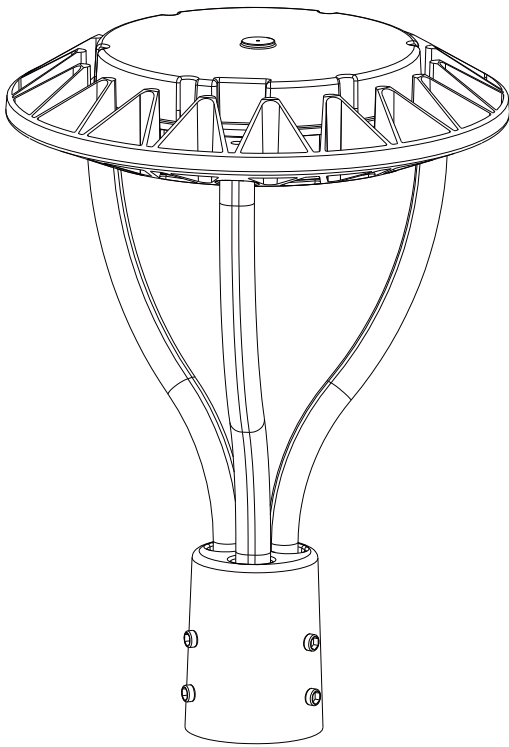


Photocell sensor

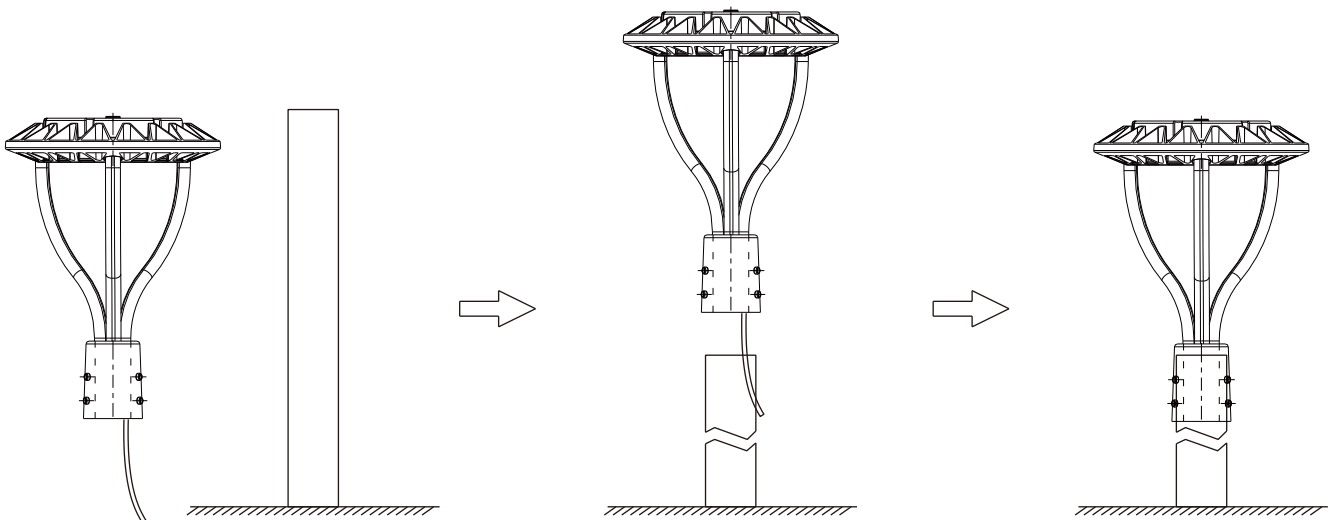


Photocell Sensor

## Drawing



## Installation



# Applications



Walkway



Community



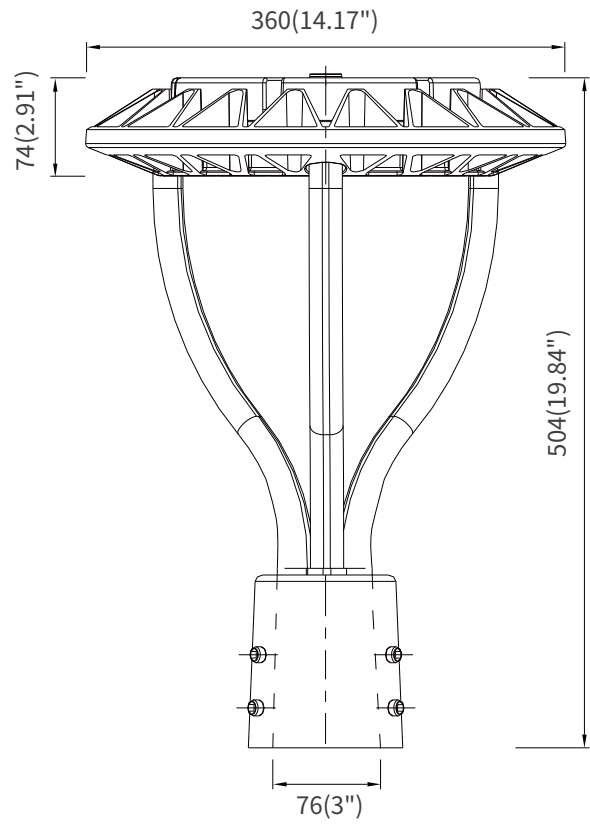
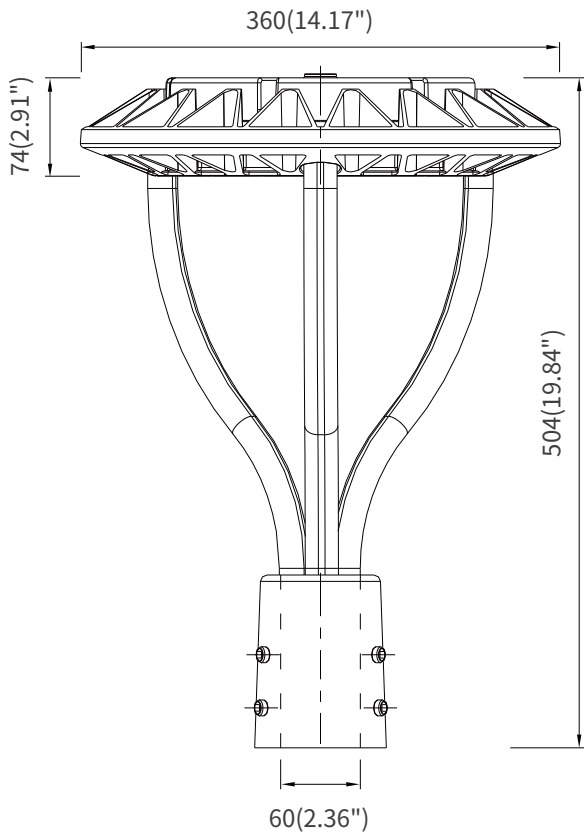
House



Building

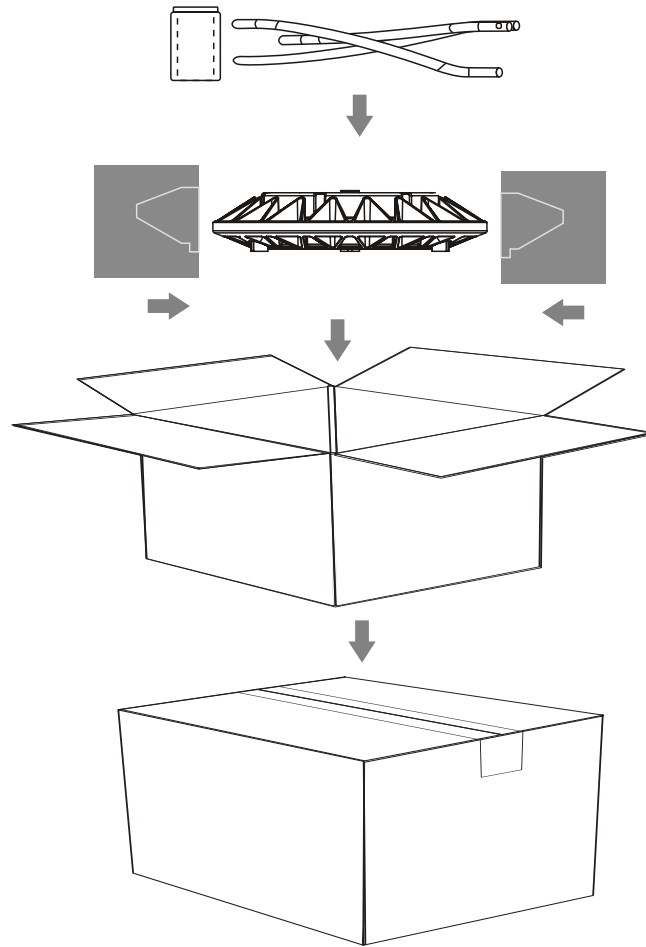


# Dimension



## Packaging information

Wattage	Product Size(mm/in)	Package Size(mm/in)	N.W (Kg/lb)	G.W (Kg/lb)	QTY
40W / 60W / 80W	360 x 360 x 504 mm 14.17 x 14.17 x 19.84 in	480 x 400 x 160 mm 18.90 x 15.75 x 6.30 in	5.1Kg(11.24lb)	5.8 Kg(12.79lb)	1 PCS
75W / 100W / 150W	360 x 360 x 504 mm 14.17 x 14.17 x 19.84 in	480 x 400 x 160 mm 18.90 x 15.75 x 6.30 in	5.6Kg(12.35lb)	6.3 Kg(13.89lb)	1 PCS



CIP Lighting  
803-766-0243  
info@ciplighting.com  
www.ciplighting.com