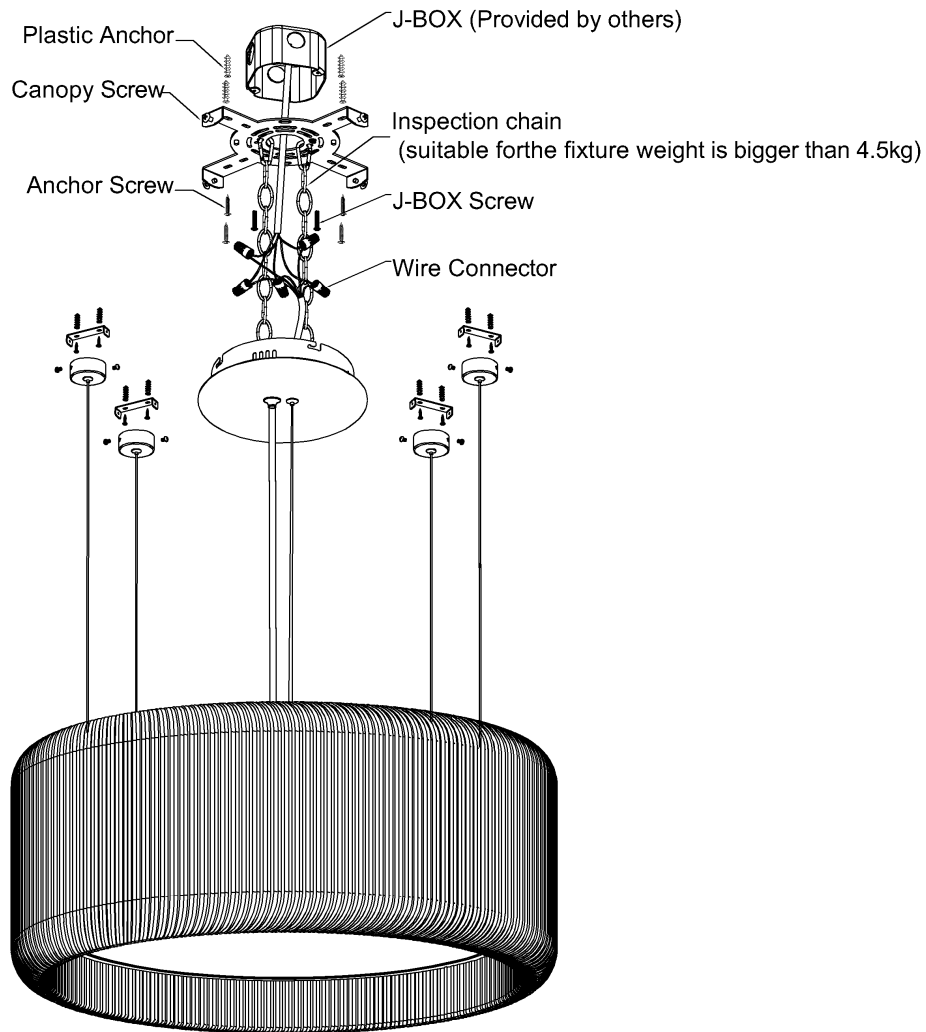


# LED MOON LIGHT SERIES(DIRECT SUSPENDED) USER MANUAL



Please read this installation manual carefully before installation, keep it for future reference! Products are well packed and performing well before leave our factory. Please strictly follow the instructions listed in the manual. Factory or distributor shall not be hold responsible for any mis-operation or damage caused by not following up the manual!

## Installation Diagram

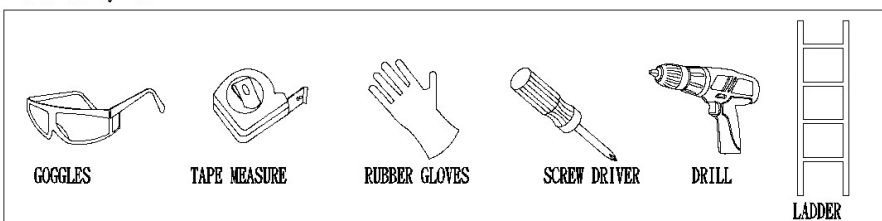


### Step 1

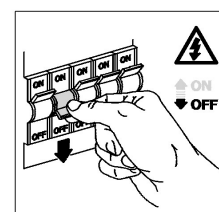
Shut "OFF" the electricity at main fuse box.

Place the wall switch in the "OFF" position of the room you are installing the fixture.

Tools You May Need

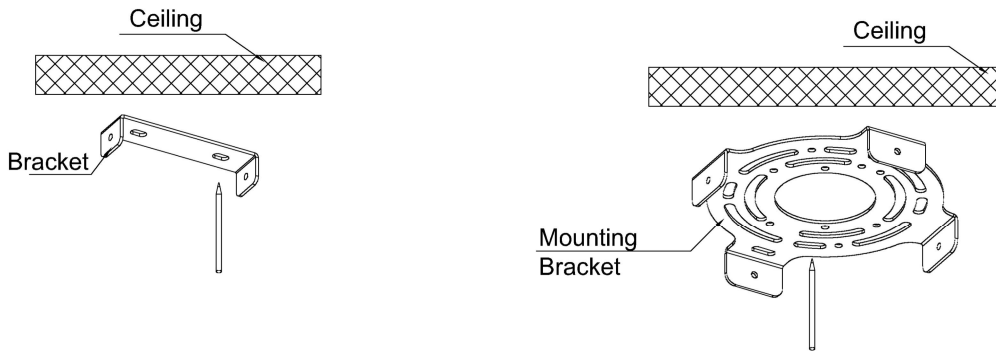


Circuit Box



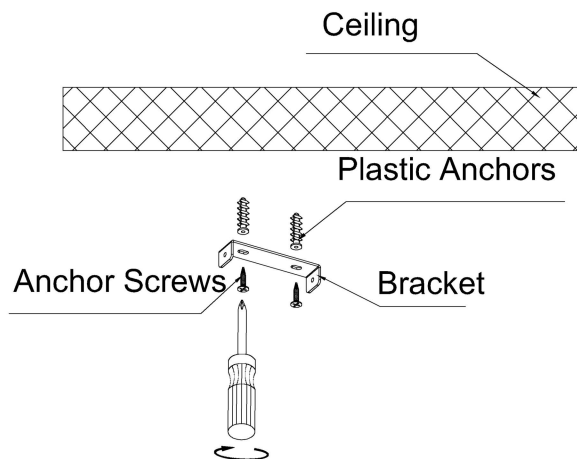
## Step2

Make point marks on the ceiling according to the Mounting pin and Canopy location.



## Step3

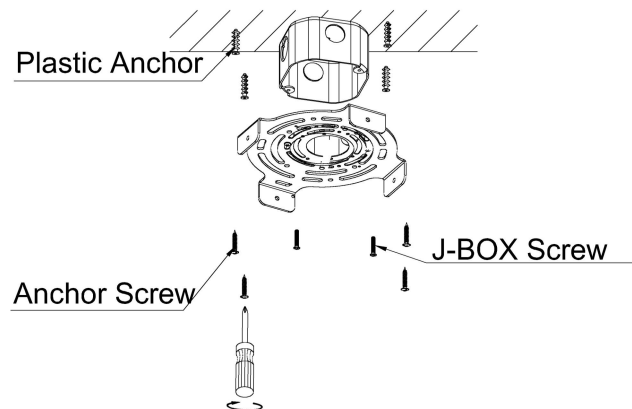
Take out Plastic Anchors, drill diameter **8mm** holes (Except Canopy position) on the ceiling according to the location mark as step2. Insert the Plastic Anchors into the holes. Then use Self-Tapping Anchor Screws to fix Mounting Pin with ceiling.



## Step 4

Take out Plastic Anchors, drill 4 pcs diameter 8 mm holes on the ceiling according to Mounting Bracket. Insert the Plastic Anchors into the holes. Use 2 pcs J-BOX Screws to fix Mounting Bracket with J-Box, and Use 4pcs Self-Tapping Anchor Screws to fix Mounting Bracket on the ceiling. Refer to picture shown below.

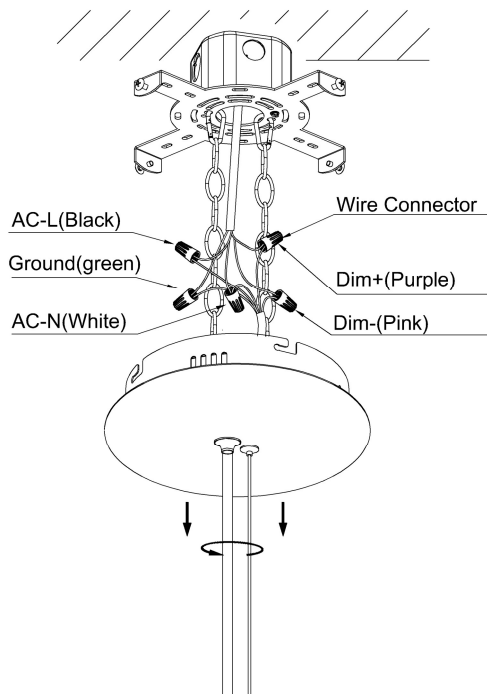
**NOTE:**J-BOX used by Garvin 54171-S or equivalent Provided by others



Attention: Must secure mounting plate at all connection points (junction box plus four outer points for small and medium size, or eight outer points for large size) to support fixture weight appropriately. Not using all mounting points could damage the fixture and void product warranty.

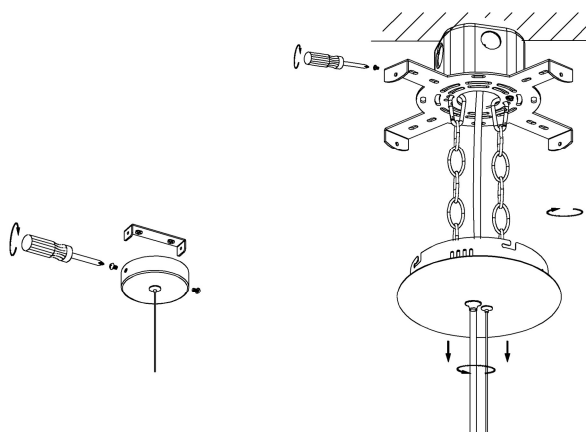
### Step 5

Use wire connectors to connect L,N,G,DIM+,DIM- wires. After finish, put all wires with connector into J-Box.



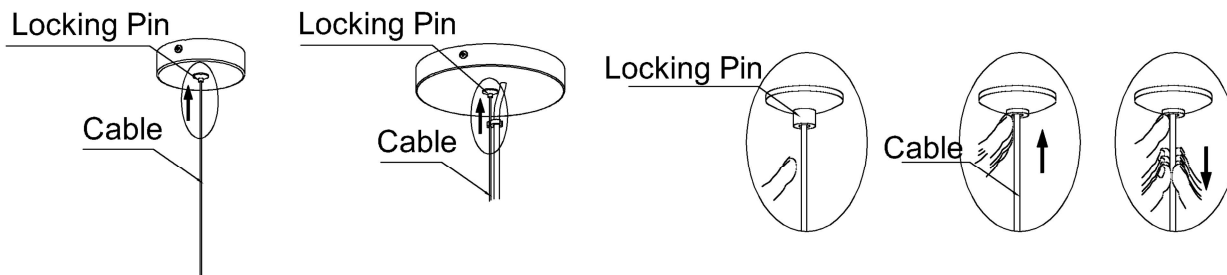
### Step 6

Keep the Slot hole as vertical line with Side screw, put the lamp body upward. And make screw into slot, rotate Canopy and make Mounting Bracket and Canopy fixed.



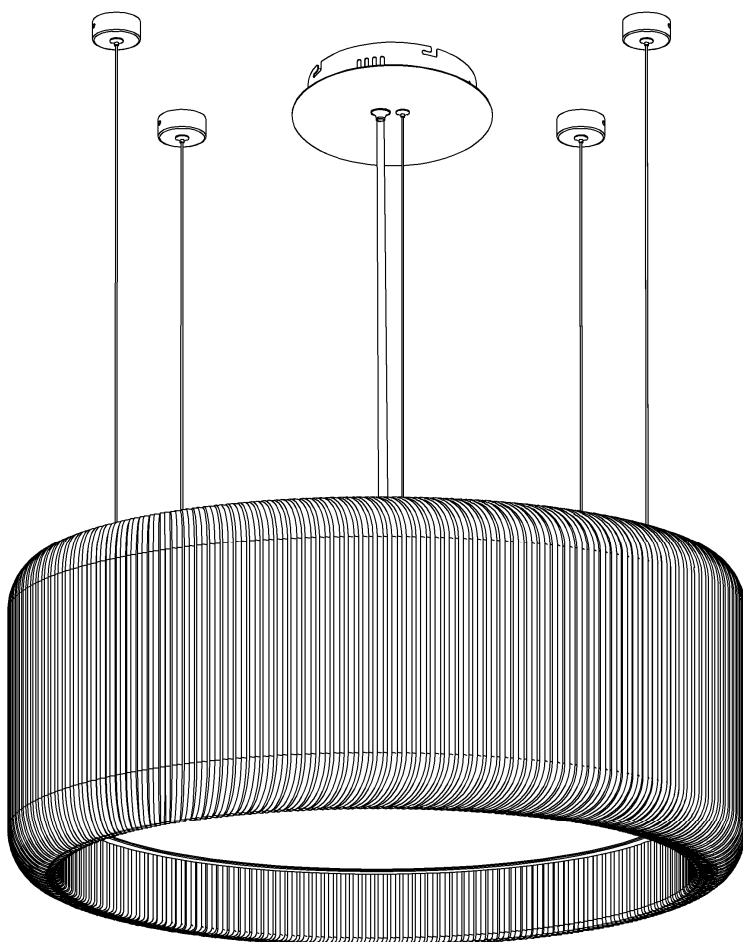
### Step 7

Adjust the fixture safety cable and Aircraft cable length, use Screw to fix with Mounting Bracket and Mounting Canopy. Then loosen all the cables.

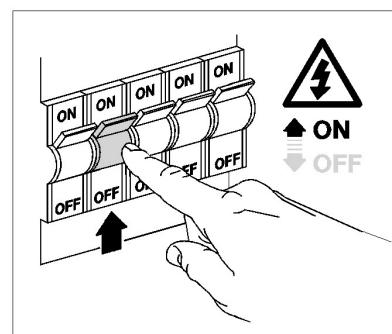


## Step 8

After finish installation, turn on the electricity at main fuse box, the lighting works.



Circuit Box



## Warnings

- MIN 90 °C SUPPLY CONDUCTORS/LES FILS D'ALIMENTATION 90 °C MIN
- DAMP LOCATIONS ONLY/POUR EMPLACEMENTS SECS SEULEMENT
- CAUTION – RISK OF FIRE/ATTENTION – RISQUE D'INCENDIE

THIS PRODUCT MUST BE INSTALLED IN ACCORDANCE WITH THE APPLICABLE INSTALLATION CODE BY A PERSON FAMILIAR WITH THE CONSTRUCTION AND OPERATION OF THE PRODUCT AND THE HAZARDS INVOLVED/CE PRODUIT DOIT ÊTRE INSTALLÉ SELON LE CODE D'INSTALLATION PERTINENT, PAR UNE PERSONNE QUI CONNAÎT BIEN LE PRODUIT ET SON FONCTIONNEMENT AINSI QUE LES RISQUES INHÉRENTS

- Application temperature for ring light is  $-20^{\circ}\text{C}\sim 40^{\circ}\text{C}$ , humidity is 0~95%. Otherwise there may be harm to the lifespan of the ring light.
- Please TURN OFF POWER before installation. This lamp must be installed and maintained by electrician or qualified personnel.
- Pay attention to fire prevention, electricity and shock resistance.
- Please do not cover the combustibles on the fixture.
- All screws and terminals should be tightened and tightly inserted. No loosening and improper connection are allowed. Attention should be paid to the polarity of components, power supply, driver and so on.
- Terminals should be tightened and tightly inserted. No loosening and improper