

LED UNDERWATER PROJECTOR

(A)			(B)		BACKVIEW SUS304		

INTRODUCTION

FEATURE

- Advanced Patent LED Technology
- Durable Underwater Light by Skilled Manufacturing
- Durable Corrosion Resistant Structure
- Long Lifespan > 50,000hours
- Working Temperature: -30°C~50°C

MAIN MATERIAL

- LED Brand: GUBO
- Driver Brand: GUBO
- Housing: Die-casted SUS304
- Optics: High Efficiency PC Lens
- Diffuser: Clear Tempered Glass Diffuser
- Pre-wired: 0.5meters 2C0.75mm² Power Cord

INSTALLATION

- Surface Mounted
- Maximum Diving Depth: 10meters
- Suitable for Pool, Fountain.....

STANDARD

- Designed and Manufactured to Comply with CE/RoHS/CB/cETL/SAASASO Standard
- IP68 and IK10 Protection, Class III Electric

OPTION

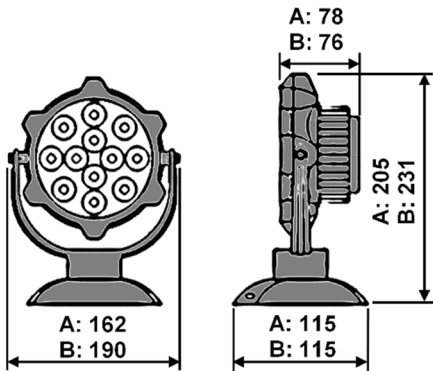
- LED CCT: 1,800K~10,000K/R/G/B/Y
- [CRI]: RA80, [G] RA90, [H] RA97
- [B]: Die-casted Brass Housing

NOTE

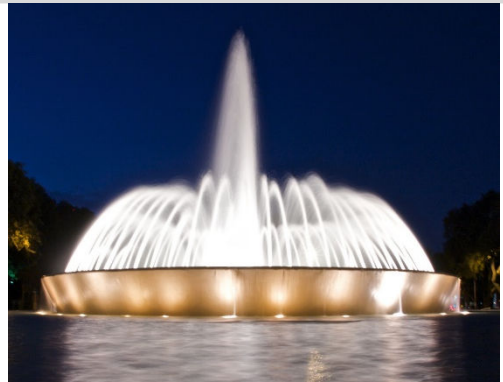
Cannot Be Operated for Over 5min Out of Water!



DIMENSION: [UNIT: MM]



CASE STUDY



MODEL	POWER [W]	LED TYPE	CCT [K]	CRI	FLUX [LM]	POWER FACTOR	BEAM ANGLE	CONTROL MODE	INPUT [V]			
[SUS304] GTG9101A	9W	24x2W SMD3030	G2700K	RA90	530	> 0.5	[Symmetric] BL10D:10° BL15D:15° BL25D:25° BL30D:30° BL45D:45° BL60D:60° BL90D:90° BL120D:120°	[CDP]: PWM(1%)	CV DC24V [CV DC12V]			
			G3000K	RA90	580							
			G3500K	RA90	580							
			G4000K	RA90	620							
			G5000K	RA90	620							
			G6000K	RA90	620							
	12W	24x2W SMD3030	G2700K	RA90	770	> 0.6						
			G3000K	RA90	830							
			G3500K	RA90	830							
			G4000K	RA90	890							
2C@12W	12TW	G2700K	G6000K	RA90	520	> 0.5						
		620nm	520nm	465nm	/	520	> 0.5					
		4C@12W	12RGBW	620nm	520nm	465nm	2700K	/	520	> 0.5		
		4C@12W	12RGBA	620nm	520nm	465nm	590nm	/	520	> 0.5		
		[SUS304] GTG9101B	18W	36x2W SMD3030	G2700K	RA90	840	> 0.7	[Oval] BLV10x45° BLV10x60° BLV20x60° BLV30x70°	[Following by Remote Driver] [CDT]: TRIAC(10%) [CDV]: 0/1~10V(8%) [CDV0]: 0~10V(1%) [CDV1]: 1~10V(10%) [CDX]: DMX512(1%) [CDA]: DALI(1%)		
					G3000K	RA90	960					
G3500K	RA90				860							
G4000K	RA90				1090							
G5000K	RA90				1090							
G6000K	RA90				1090							
24W	36x2W SMD3030		G2700K	RA90	1200	> 0.7						
			G3000K	RA90	1370							
			G3500K	RA90	1370							
			G4000K	RA90	1560							
2C@24W	18TW	G2700K	G6000K	RA90	1560	> 0.5						
		3C@24W	18RGB	620nm	520nm	465nm	/	1040	> 0.5			
		4C@24W	18RGBW	620nm	520nm	465nm	2700K	/	1040	> 0.5		
		4C@24W	18RGBA	620nm	520nm	465nm	590nm	/	1040	> 0.5		
		[BRASS] GTG9101AB	12W	24x2W SMD3030	G2700K	RA90	770	> 0.6	[BDF] [LM-20%] BDF:120°			
					G3000K	RA90	830					
G3500K	RA90				830							
G4000K	RA90				890							
G5000K	RA90				890							
G6000K	RA90				890							
2C@12W	12TW		G2700K	G6000K	RA90	520	> 0.5					
			620nm	520nm	465nm	/	520	> 0.5				
			4C@12W	12RGBW	620nm	520nm	465nm	2700K		/	520	> 0.5
			4C@12W	12RGBA	620nm	520nm	465nm	590nm		/	520	> 0.5

NOTE:

All parameters are measured at 25°C ambient temperature, 35% humidity experimental environment. Tolerances of power and luminous flux are ±10%, tolerance of color rendering index is ±5.