

50W LED Glass Wall Pack



Features

- Lumileds LED, high luminous efficiency and long working life.
- High efficiency LED Driver, the wide range input voltage AC120-277V.
- Die Cast aluminium cooling design, high quality and better cooling for LED $T_j < 85^{\circ}\text{C}$.
- Excellent Optics design, greatly improve the light utilization and evenness.
- Motion sensor Control Available (Option)

Product Applications

CIP LED Glass Wall Pack series can be widely used in indoor or outdoor lighting (Wet location), like mechanical or electronic processing workshops, storage warehouses, steel mills, gas stations, toll booth, waiting rooms, the platforms of railway station, indoor stadiums.

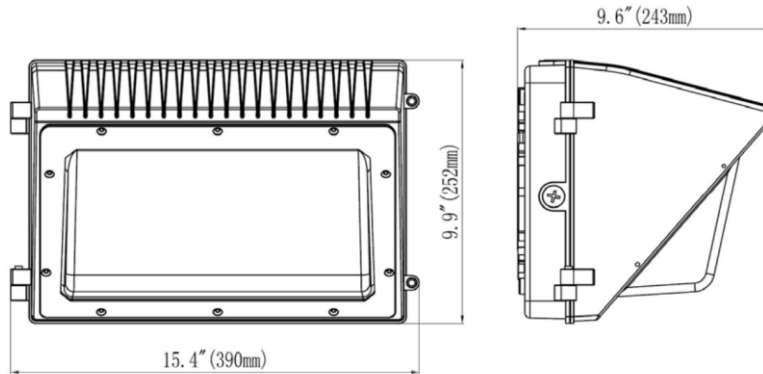


Specifications

Unit : inch(mm)

Structure Features

- Shell materials: Aluminum & Glass.
- Finish: Dark Bronze/White
- Net weight : 4.5Kg (9.92 lbs) Product
- Size:390mm*252mm*243mm
- Carton Size:450mm*315mm*310mm

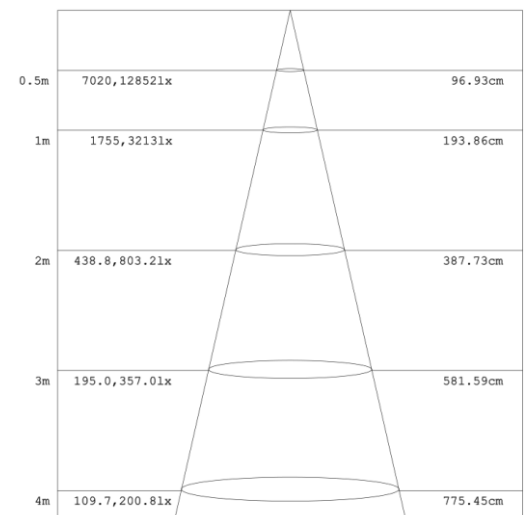
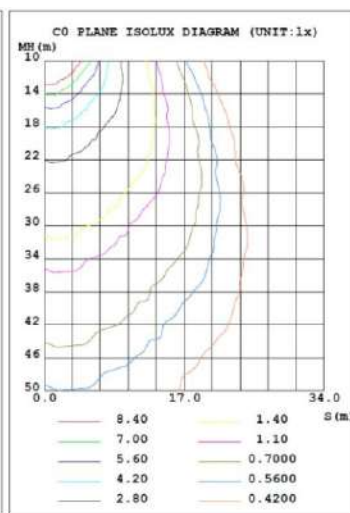
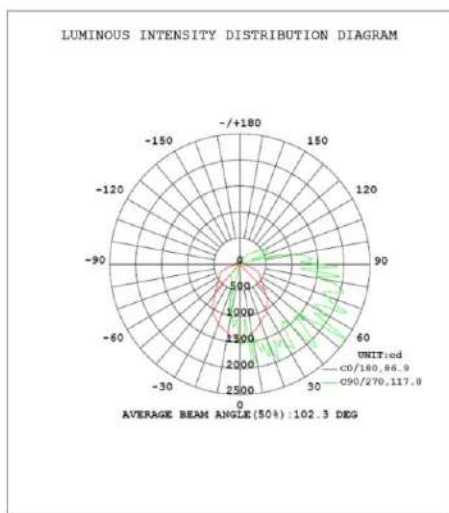


Technical Parameters

WSD-GWP05W27-XXK

Power	50W	Lighting Angle	87°x118°
Input Voltage	AC120-277V	LED Brightness Decay	<5%/6000 hrs
PF	>0.95	Working Life	>50000 hrs
Driver Efficiency	>90%	Working Temperature	-30 - +45°C
Luminous Flux	5600 Lm	Storage Temperature	-40 - +80°C
Color Temperature	3000K/4000K/5000K/5700K	Protection Level	Wet Location/IP65
CRI	Ra>80	Cable	Input Connect, No cable

Photometry



Example:WSD-GWP05W27-XXK-D-P

CIP-WSD	GWP	05W	27	50K	D	P
Company	Product	Power	Voltage	Color Temp	Finish	Control
	GWP	05W(50W)	27	30K(3000K)	D	P
CIP	Glass Wall	07W(70W)	AC120-277V	40K(4000K)	Dark Bronze	Photocell
	Pack	10W(100W)		50K(5000K)	W	
				57K(5700K)±500K	White	