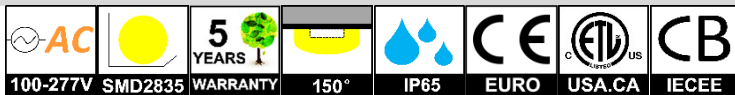


GTE3115: VAPOR TIGHT LED BATTEN LIGHT



JUNCTION BOX



EMERGENCY SWITCH&INDICATOR



INTRODUCTION

FEATURE

Upgrade Vapor Tight Batten Light
Corrosion Resistant, Waterproof and Dustproof
Easy Installation and Maintenance Freely
Long Lifespan >50,000hours
Working Temperature -30°C~50°C

MATERIAL & FINISH

LED Brand: GUBO (LM80)
Internal Flicker-free Driver Brand: GUBO
Housing: Aluminum Radiator Profile
Diffuser: Opal Stripe PC Diffuser
Clips: Stainless Steel SUS304.

INSTALLATION

Surface Mounted or Suspended
Widely Application for Parking Lot, Workshop,
Warehouse, Supermarket, Office, Food Factory.....

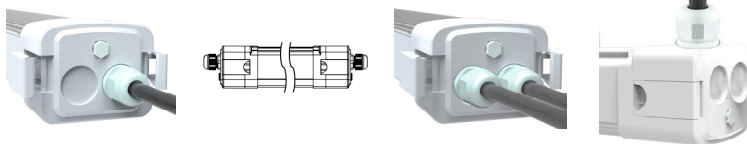
STANDARD

Designed and Manufactured to Comply with
CE\ROHS\EMF\GS\CB\cETL\SAAISASO Standard
Withstand Voltage: 3.75KV, Surge Protection(L-N): 1KV
IP65 and IK10 Protection, Class I Electrical

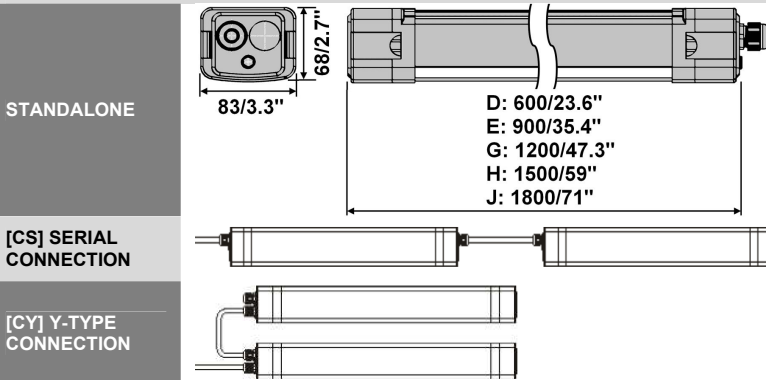
OPTION

- LED CCT: 1,800K~10,000K\RG\BY
- LED Color: Red, Green, Blue, Amber
- Personal Eye Protection Standard: RG0 (EN166:2001)
- [CRI]: [E] RA90, [G] RA90, [H] RA97
- [CS]: Serial Continuous Connector Inside Housing
- [CFM]: Cord with Female and Male Connector
- [CBE] Emergency Version: 9W or 16W 90minutes
- [CSMD] : 0-10V Dimmable Microwave Motion Sensor
 - Detection Zone: D8m(26ft)xH6m(20ft) or H12m(40ft)
 - Hold Time: 10s\1min\5min\10min\15min
 - Daylight Lux Sensor: Disable or 10\30\50 Lux
 - Standby Dimming Level: 0%-10%-30%-50%
 - Standby Period: Always or 1min\30min\60min

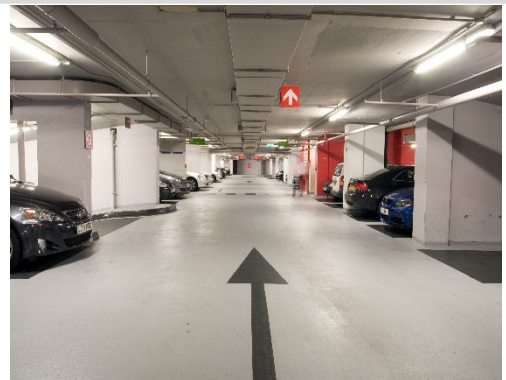
STANDARD 1xCONNECTOR	[CS] Version 2xCONNECTOR	[CY] Version YxCONNECTOR	[CL] Version BACK OUTLET
--------------------------------	------------------------------------	------------------------------------	------------------------------------



DIMENSION: [UNIT: MM]



CASE STUDY:



MODEL	POWER [W]	LED TYPE	CCT [K]	CRI	LUMEN [LM]	POWER FACTOR	BEAM ANGLE	OPTIONAL DIMMING	INPUT [V]
GTE3115D GTE3115D-CS GTE3115D-CY GTE3115D-CL	20W [10W] [15W]	130x0.5W SMD2835	E3000K	RA80	2950	>0.9	150°	[CDT]: TRIAC(10%) [CDV]: 0~1~10V(8%) [CDV0]: 0~10V(1%) [CDV1]: 1~10V(15%) [CDX]: DMX512(1%) [CDA]: DALI(1%) [CDP]: PWM(1%) [CDZ]: ZIGBEE(1%)	AC100~277V [AC220~240V] [AC100~240V] [AC100~347V] 50/60Hz
			E4000K	RA80	3100				
			E6000K	RA80	3020				
		130x1.0W SMD2835	G3000K	RA90	2650				
			G4000K	RA90	2880				
2C@20W	TWG	G2700K	G6000K	RA90	2420	>0.9			
4C@20W	RGBWG	620nm 520nm 465nm G2700K	\	\	2420	>0.7			
GTE3115E GTE3115E-CS GTE3115E-CY GTE3115E-CL	30W [20W]	195x0.5W SMD2835	E3000K	RA80	4420	>0.9	150°	[CDT]: TRIAC(10%) [CDV]: 0~1~10V(8%) [CDV0]: 0~10V(1%) [CDV1]: 1~10V(15%) [CDX]: DMX512(1%) [CDA]: DALI(1%) [CDP]: PWM(1%) [CDZ]: ZIGBEE(1%)	AC100~277V [AC220~240V] [AC100~240V] [AC100~347V] 50/60Hz
			E4000K	RA80	4650				
			E6000K	RA80	4530				
		195x1.0W SMD2835	G3000K	RA90	3980				
			G4000K	RA90	4310				
2C@30W	72TWG	G2700K	G6000K	RA90	3650	>0.9			
4C@30W	72RGBWG	620nm 520nm 465nm G2700K	\	\	3650	>0.7			
GTE3115G GTE3115G-CS GTE3115G-CY GTE3115G-CL	40W [20W] [30W]	260x0.5W SMD2835	E3000K	RA80	5900	>0.9	150°	[CBE]: Emergency [CSM]: Sensor [CSMD]: 0-10V Sensor [CBESMD]: EM+Sensor	[CV DC24V] [CV DC36V] [CV DC48V]
			E4000K	RA80	6190				
			E6000K	RA80	6040				
		260x1.0W SMD2835	G3000K	RA90	5310				
			G4000K	RA90	5750				
	60W [50W]	260x0.5W SMD2835	E3000K	RA80	8850	>0.9	150°	[CBE]: Emergency [CSM]: Sensor [CSMD]: 0-10V Sensor [CBESMD]: EM+Sensor	[CV DC24V] [CV DC36V] [CV DC48V]
			E4000K	RA80	9280				
			E6000K	RA80	9060				
		260x1.0W SMD2835	G3000K	RA90	7960				
			G4000K	RA90	8620				
2C@60W	TWG	G2700K	G6000K	RA90	7280	>0.9			
4C@60W	RGBWG	620nm 520nm 465nm G2700K	\	\	7280	>0.8			

NOTE:

All parameters are measured at 25°C ambient temperature, 35% humidity experimental environment.
Tolerances of power and luminous flux are ±10%, tolerance of color rendering index is ±5.

GTE3115: VAPOR TIGHT LED BATTEN LIGHT

SPECIFICATION

MODEL	POWER [W]	LED TYPE	CCT [K]	CRI	LUMEN [LM]	POWER FACTOR	BEAM ANGLE	OPTIONAL DIMMING	INPUT [V]	
GTE3115H GTE3115H-CS GTE3115H-CY GTE3115H-CL	60W [40W] [50W]	325x0.5W SMD2835	E3000K	RA80	8850	>0.9	150°	[CDT]:TRIAC(10%) [CDV]:0~1~10V(8%) [CDV0]:0~10V(1%) [CDV1]:1~10V(15%) [CDX]:DMX512(1%) [CDA]:DALI(1%) [CDP]:PWM(1%) [CDZ]:ZIGBEE(1%) [CBE]: Emergency [CSM]: Sensor [CSMD]:0-10V Sensor [CBESMD]:EM+Sensor	AC100~277V [AC220~240V] [AC100~240V] [AC100~347V] 50/60Hz	
			E4000K	RA80	9280					
			E6000K	RA80	9060					
		G3000K	RA90	7960						
		G4000K	RA90	8620						
		G6000K	RA90	8400						
	75W	325x0.5W SMD2835	E3000K	RA80	10620	>0.9				
			E4000K	RA80	11150					
			E6000K	RA80	10880					
		G3000K	RA90	9550						
		G4000K	RA90	10350						
		G6000K	RA90	10080						
	2C@75W	TWG	G2700K	G6000K	RA90	9180				>0.9
	4C@75W	RGBWG	620nm 520nm 465nm G2700K	\	9180	>0.8				
GTE3115J GTE3115J-CS GTE3115J-CY GTE3115J-CL	60W [40W]	390x0.5W SMD2835	E3000K	RA80	8850	>0.9				
			E4000K	RA80	9280					
			E6000K	RA80	9060					
		G3000K	RA90	7960						
		G4000K	RA90	8620						
		G6000K	RA90	8400						
	90W [75W]	390x0.5W SMD2835	E3000K	RA80	12380	>0.9				
			E4000K	RA80	13000					
			E6000K	RA80	12690					
		G3000K	RA90	11150						
		G4000K	RA90	12080						
		G6000K	RA90	11760						
	2C@90W	TWG	G2700K	G6000K	RA90	11060	>0.9			
	4C@90W	RGBWG	620nm 520nm 465nm G2700K	\	11060	>0.8				

NOTE:

All parameters are measured at 25°C ambient temperature, 35% humidity experimental environment.
Tolerances of power and luminous flux are ±10%, tolerance of color rendering index is ±5.