

INTRODUCTION

GTR6711A-MCA100A: D100mm LED TUBULAR BATTEN LIGHT

FEATURE

Creative Innovation of Optimized LED Technology
 Long Lifespan Design >50,000hours
 Working Temperature: -20°C~50°C

MATERIAL & FINISH

LED Brand: GUBO [LM80]
 Remote Flicker-free Driver Brand: GUBO
 Profile: Aluminum Radiator Profile
 Optics: High Efficiency Opal PC Diffuser

INSTALLATION

Suitable for Interior Ceiling Light, like Office.....

- [FFS]: Flush Surface Mounted
- [FPW]: Wire Pendant
- [FWA]: Wall Surface Mounted
- [FJP]: Fixing Plate on JBOX/Outlet Box

NOTES: Custom Installation and Accessories Referred to Another Catalogue of Fixing Kits.

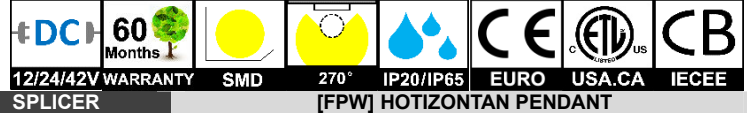
STANDARD

Designed and Manufactured to Comply with TUV/CB/CE/RoHS/EMF/SAA/Erp/UL/cUL/FCC/SA SO IP20 Protection, Class III Electric

OPTION

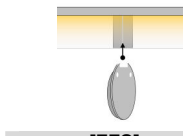
LED CCT: 2000K/2700K/3500K/6500K
 [CRI]: [E] Ra80, [G] Ra90, [H] Ra97(RG0)
 Custom Housing Color Finish:

| | | | | |
|-------------------|-------------------|------------------|-----------------------|-------------------|
| WHITE RAL9010P | BLACK RAL9005P | GREY RAL7042P | DARK GREY RAL7016P | BRASS RAL1024P |
|-------------------|-------------------|------------------|-----------------------|-------------------|

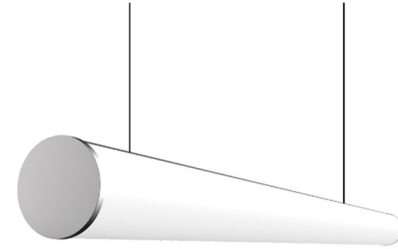


SPLICER [SP180]

[CAP-S] Anti-light-leaking Splicing End Cap



[FFS]



[FPW]

[FWA] WALL MOUNT



[FWB] WALL MOUNT

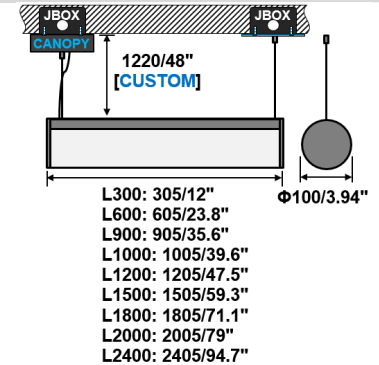
CASE STUDY: HORIZONTAL PENDANT



CASE STUDY: WALL MOUNTED



DIMENSION: [UNIT: MM]



| MODEL | POWER [W] | LED TYPE | CCT [K] | CRI | LUMEN [LM] | POWER FACTOR | BEAM ANGLE | OPTIONAL DIMMING | INPUT [V] |
|-----------------------|-----------------|---------------------------------|---------|--------|------------|--------------|------------|---|---|
| GTR6711A-MCA100A-L300 | 12W [15W] [10W] | 120x0.5W SMD2835 | G2700K | RA90 | 1210 | > 0.9 | 270° | [+CDP]:PWM(1%) | [+CV DC24V] [+CV DC12V] [+CV DC42V] |
| | | | G3000K | RA90 | 1280 | | | | |
| | | | G3500K | RA90 | 1280 | | | | |
| | | | G4000K | RA90 | 1360 | | | | |
| | | | G5000K | RA90 | 1360 | | | | |
| | | | G6000K | RA90 | 1360 | | | | |
| | 2C@12W | TWG | G2700K | G6000K | RA90 | 970 | > 0.7 | | |
| 3C@12W | RGB | 620nm 520nm 465nm | \ | 650 | > 0.7 | | | | |
| 4C@12W | RGBW | 620nm 520nm 465nm G2700K | \ | 970 | > 0.6 | | | | |
| 4C@12W | RGBA | 620nm 520nm 465nm 590nm | \ | 650 | > 0.6 | | | | |
| 5C@12W | RGBTWG | 620nm 520nm 465nm G2700K G6000K | \ | 970 | > 0.4 | | | | |
| GTR6711A-MCA100A-L600 | 24W [30W] [20W] | 240x0.5W SMD2835 | G2700K | RA90 | 2420 | > 0.9 | 270° | Following by Remote Driver | Following by Remote Driver |
| | | | G3000K | RA90 | 2560 | | | | |
| | | | G3500K | RA90 | 2560 | | | | |
| | | | G4000K | RA90 | 2720 | | | | |
| | | | G5000K | RA90 | 2720 | | | | |
| | | | G6000K | RA90 | 2720 | | | | |
| | 2C@24W | TWG | G2700K | G6000K | RA90 | 1940 | > 0.9 | | |
| 3C@24W | RGB | 620nm 520nm 465nm | \ | 1300 | > 0.8 | | | | |
| 4C@24W | RGBW | 620nm 520nm 465nm G2700K | \ | 1940 | > 0.7 | | | | |
| 4C@24W | RGBA | 620nm 520nm 465nm 590nm | \ | 1300 | > 0.6 | | | | |
| 5C@24W | RGBTWG | 620nm 520nm 465nm G2700K G6000K | \ | 1940 | > 0.5 | | | | |
| GTR6711A-MCA100A-L900 | 36W [45W] [30W] | 360x0.5W SMD2835 | G2700K | RA90 | 3620 | > 0.9 | 270° | [CDN]:Non-dimmable [CDT]:TRIAC(10%) [CDV]:0/1~10V(8%) [CDV0]:0~10V(1%) [CDV1]:1~10V(10%) [CDA]:DALI(1%) [CDX]:DMX512(1%) [CRZ]:ZIGBEE(1%) [CRF]:2.4G RF(1%) [CRB]:Bluetooth(1%) [CDS]:SPI(1%) | AC100~277V [AC100~240V] [AC110~130V] [AC100~347V] 50/60Hz |
| | | | G3000K | RA90 | 3850 | | | | |
| | | | G3500K | RA90 | 3850 | | | | |
| | | | G4000K | RA90 | 4070 | | | | |
| | | | G5000K | RA90 | 4070 | | | | |
| | | | G6000K | RA90 | 4070 | | | | |
| | 2C@36W | TWG | G2700K | G6000K | RA90 | 2920 | > 0.9 | | |
| 3C@36W | RGB | 620nm 520nm 465nm | \ | 1950 | > 0.8 | | | | |
| 4C@36W | RGBW | 620nm 520nm 465nm G2700K | \ | 2920 | > 0.7 | | | | |
| 4C@36W | RGBA | 620nm 520nm 465nm 590nm | \ | 1950 | > 0.7 | | | | |
| 5C@36W | RGBTWG | 620nm 520nm 465nm G2700K G6000K | \ | 2920 | > 0.6 | | | | |

NOTE:

All parameters are measured at 25°C ambient temperature, 35% humidity experimental environment. Tolerances of power and luminous flux are ±10%, tolerance of color rendering index is ±3.

SPECIFICATION

GTR6711A-MCA100A: D100mm LED TUBULAR BATTEN LIGHT

| MODEL | POWER [W] | LED TYPE | CCT [K] | CRI | LUMEN [LM] | POWER FACTOR | BEAM ANGLE | OPTIONAL DIMMING | INPUT [V] | | | |
|------------------------|------------------|------------------|---------|--------|------------|--------------|------------|------------------|--|-------|-------|-------|
| GTR6711A-MCA100A-L1000 | 40W [50W] [33W] | 420x0.5W SMD2835 | G2700K | RA90 | 4020 | > 0.9 | 270° | +CDP]:PWM(1%) | +CV DC24V +CV DC12V] +CV DC42V] | | | |
| | | | G3000K | RA90 | 4270 | | | | | | | |
| | | | G3500K | RA90 | 4270 | | | | | | | |
| | | | G4000K | RA90 | 4530 | | | | | | | |
| | | | G5000K | RA90 | 4530 | | | | | | | |
| | | | G6000K | RA90 | 4530 | | | | | | | |
| | 2C@40W | TWG | G2700K | G6000K | RA90 | 3500 | | | | > 0.9 | | |
| | 3C@40W | RGB | 620nm | 520nm | 465nm | \ | | | | 2340 | > 0.8 | |
| | 4C@40W | RGBW | 620nm | 520nm | 465nm | G2700K | | | | \ | 3500 | > 0.7 |
| | 4C@40W | RGBA | 620nm | 520nm | 465nm | 590nm | | | | \ | 2340 | > 0.7 |
| 5C@40W | RGBTWG | 620nm | 520nm | 465nm | G2700K | G6000K | \ | 3500 | > 0.6 | | | |
| GTR6711A-MCA100A-L1200 | 48W [60W] [40W] | 480x0.5W SMD2835 | G2700K | RA90 | 4820 | > 0.9 | | | | | | |
| | | | G3000K | RA90 | 5120 | | | | | | | |
| | | | G3500K | RA90 | 5120 | | | | | | | |
| | | | G4000K | RA90 | 5430 | | | | | | | |
| | | | G5000K | RA90 | 5430 | | | | | | | |
| | | | G6000K | RA90 | 5430 | | | | | | | |
| | 2C@48W | TWG | G2700K | G6000K | RA90 | 3880 | > 0.9 | | | | | |
| | 3C@48W | RGB | 620nm | 520nm | 465nm | \ | 2600 | > 0.8 | | | | |
| | 4C@48W | RGBW | 620nm | 520nm | 465nm | G2700K | \ | 3880 | > 0.7 | | | |
| | 4C@48W | RGBA | 620nm | 520nm | 465nm | 590nm | \ | 2600 | > 0.6 | | | |
| 5C@48W | RGBTWG | 620nm | 520nm | 465nm | G2700K | G6000K | \ | 3880 | > 0.5 | | | |
| GTR6711A-MCA100A-L1500 | 60W [75W] [50W] | 600x0.5W SMD2835 | G2700K | RA90 | 6030 | > 0.9 | | | | | | |
| | | | G3000K | RA90 | 6410 | | | | | | | |
| | | | G3500K | RA90 | 6410 | | | | | | | |
| | | | G4000K | RA90 | 6780 | | | | | | | |
| | | | G5000K | RA90 | 6780 | | | | | | | |
| | | | G6000K | RA90 | 6780 | | | | | | | |
| | 2C@60W | TWG | G2700K | G6000K | RA90 | 4860 | > 0.9 | | | | | |
| | 3C@60W | RGB | 620nm | 520nm | 465nm | \ | 3250 | > 0.8 | | | | |
| | 4C@60W | RGBW | 620nm | 520nm | 465nm | G2700K | \ | 4860 | > 0.7 | | | |
| | 4C@60W | RGBA | 620nm | 520nm | 465nm | 590nm | \ | 3250 | > 0.7 | | | |
| 5C@60W | RGBTWG | 620nm | 520nm | 465nm | G2700K | G6000K | \ | 4860 | > 0.6 | | | |
| GTR6711A-MCA100A-L1800 | 72W [90W] [60W] | 720x0.5W SMD2835 | G2700K | RA90 | 7240 | > 0.9 | | | | | | |
| | | | G3000K | RA90 | 7700 | | | | | | | |
| | | | G3500K | RA90 | 7700 | | | | | | | |
| | | | G4000K | RA90 | 8150 | | | | | | | |
| | | | G5000K | RA90 | 8150 | | | | | | | |
| | | | G6000K | RA90 | 8150 | | | | | | | |
| | 2C@72W | TWG | G2700K | G6000K | RA90 | 5830 | > 0.9 | | | | | |
| | 3C@72W | RGB | 620nm | 520nm | 465nm | \ | 3900 | > 0.8 | | | | |
| | 4C@72W | RGBW | 620nm | 520nm | 465nm | G2700K | \ | 5830 | > 0.7 | | | |
| | 4C@72W | RGBA | 620nm | 520nm | 465nm | 590nm | \ | 3900 | > 0.6 | | | |
| 5C@72W | RGBTWG | 620nm | 520nm | 465nm | G2700K | G6000K | \ | 5830 | > 0.5 | | | |
| GTR6711A-MCA100A-L2000 | 80W [100W] [66W] | 840x0.5W SMD2835 | G2700K | RA90 | 8050 | > 0.9 | | | | | | |
| | | | G3000K | RA90 | 8550 | | | | | | | |
| | | | G3500K | RA90 | 8550 | | | | | | | |
| | | | G4000K | RA90 | 9050 | | | | | | | |
| | | | G5000K | RA90 | 9050 | | | | | | | |
| | | | G6000K | RA90 | 9050 | | | | | | | |
| | 2C@80W | TWG | G2700K | G6000K | RA90 | 7000 | > 0.9 | | | | | |
| | 3C@80W | RGB | 620nm | 520nm | 465nm | \ | 4680 | > 0.8 | | | | |
| | 4C@80W | RGBW | 620nm | 520nm | 465nm | G2700K | \ | 7000 | > 0.7 | | | |
| | 4C@80W | RGBA | 620nm | 520nm | 465nm | 590nm | \ | 4680 | > 0.7 | | | |
| 5C@80W | RGBTWG | 620nm | 520nm | 465nm | G2700K | G6000K | \ | 7000 | > 0.6 | | | |
| GTR6711A-MCA100A-L2400 | 96W [120W] [80W] | 960x0.5W SMD2835 | G2700K | RA90 | 9660 | > 0.9 | | | | | | |
| | | | G3000K | RA90 | 10250 | | | | | | | |
| | | | G3500K | RA90 | 10250 | | | | | | | |
| | | | G4000K | RA90 | 10860 | | | | | | | |
| | | | G5000K | RA90 | 10860 | | | | | | | |
| | | | G6000K | RA90 | 10860 | | | | | | | |
| | 2C@96W | TWG | G2700K | G6000K | RA90 | 7770 | > 0.9 | | | | | |
| | 3C@96W | RGB | 620nm | 520nm | 465nm | \ | 5200 | > 0.8 | | | | |
| | 4C@96W | RGBW | 620nm | 520nm | 465nm | G2700K | \ | 7770 | > 0.7 | | | |
| | 4C@96W | RGBA | 620nm | 520nm | 465nm | 590nm | \ | 5200 | > 0.6 | | | |
| 5C@96W | RGBTWG | 620nm | 520nm | 465nm | G2700K | G6000K | \ | 7770 | > 0.5 | | | |

NOTE:

All parameters are measured at 25°C ambient temperature, 35% humidity experimental environment. Tolerances of power and luminous flux are ±10%, tolerance of color rendering index is ±3.

SPECIFICATION

GTR6711A-MCA100A: D100mm LED TUBULAR BATTEN LIGHT

| MODEL | POWER [W] | LED TYPE | CGT [K] | | CRI | LUMEN [LM] | POWER FACTOR | BEAM ANGLE | OPTIONAL DIMMING | INPUT [V] | | |
|------------------------|------------------|---------------------------------|---------|------|------|------------|--------------|------------|------------------|--|----------------|--|
| GTR6711A-MCA100A-L300 | 12W [15W] [10W] | 120x0.5W SMD2835 | H2700K | | RA97 | 980 | >0.9 | 360° | [+CDP]:PWM(1%) | [+CV DC24V [+CV DC12V] [+CV DC42V] | | |
| | | | H3000K | | RA97 | 1060 | | | | | | |
| | | | H3500K | | RA97 | 1060 | | | | | | |
| | | | H4000K | | RA97 | 1130 | | | | | | |
| | | | H5000K | | RA97 | 1130 | | | | | | |
| H6000K | | RA97 | 1130 | | | | | | | | | |
| 2C@12W | TWH | H2700K | H6000K | RA97 | 800 | >0.7 | | | | | | |
| 4C@12W | RGBW | 620nm 520nm 465nm H2700K | \ | 800 | >0.6 | | | | | | | |
| 5C@12W | RGBTWH | 620nm 520nm 465nm H2700K H6000K | \ | 800 | >0.4 | | | | | | | |
| GTR6711A-MCA100A-L600 | 24W [30W] [20W] | 240x0.5W SMD2835 | H2700K | | RA97 | 1960 | >0.9 | 360° | | | [+CDP]:PWM(1%) | [+CV DC24V [+CV DC12V] [+CV DC42V] |
| | | | H3000K | | RA97 | 2110 | | | | | | |
| | | | H3500K | | RA97 | 2110 | | | | | | |
| | | | H4000K | | RA97 | 2260 | | | | | | |
| | | | H5000K | | RA97 | 2260 | | | | | | |
| H6000K | | RA97 | 2260 | | | | | | | | | |
| 2C@24W | TWH | H2700K | H6000K | RA97 | 1600 | >0.9 | | | | | | |
| 4C@24W | RGBW | 620nm 520nm 465nm H2700K | \ | 1600 | >0.7 | | | | | | | |
| 5C@24W | RGBTWH | 620nm 520nm 465nm H2700K H6000K | \ | 1600 | >0.5 | | | | | | | |
| GTR6711A-MCA100A-L900 | 36W [45W] [30W] | 360x0.5W SMD2835 | H2700K | | RA97 | 2940 | >0.9 | 360° | [+CDP]:PWM(1%) | [+CV DC24V [+CV DC12V] [+CV DC42V] | | |
| | | | H3000K | | RA97 | 3160 | | | | | | |
| | | | H3500K | | RA97 | 3160 | | | | | | |
| | | | H4000K | | RA97 | 3390 | | | | | | |
| | | | H5000K | | RA97 | 3390 | | | | | | |
| H6000K | | RA97 | 3390 | | | | | | | | | |
| 2C@36W | TWH | H2700K | H6000K | RA97 | 2400 | >0.9 | | | | | | |
| 4C@36W | RGBW | 620nm 520nm 465nm H2700K | \ | 2400 | >0.7 | | | | | | | |
| 5C@36W | RGBTWH | 620nm 520nm 465nm H2700K H6000K | \ | 2400 | >0.6 | | | | | | | |
| GTR6711A-MCA100A-L1000 | 40W [50W] [33W] | 420x0.5W SMD2835 | H2700K | | RA97 | 3260 | >0.9 | 360° | | | [+CDP]:PWM(1%) | [+CV DC24V [+CV DC12V] [+CV DC42V] |
| | | | H3000K | | RA97 | 3520 | | | | | | |
| | | | H3500K | | RA97 | 3520 | | | | | | |
| | | | H4000K | | RA97 | 3770 | | | | | | |
| | | | H5000K | | RA97 | 3770 | | | | | | |
| H6000K | | RA97 | 3770 | | | | | | | | | |
| 2C@40W | TWH | H2700K | H6000K | RA97 | 2850 | >0.9 | | | | | | |
| 4C@40W | RGBW | 620nm 520nm 465nm H2700K | \ | 2850 | >0.7 | | | | | | | |
| 5C@40W | RGBTWH | 620nm 520nm 465nm H2700K H6000K | \ | 2850 | >0.5 | | | | | | | |
| GTR6711A-MCA100A-L1200 | 48W [60W] [40W] | 480x0.5W SMD2835 | H2700K | | RA97 | 3920 | >0.9 | 360° | [+CDP]:PWM(1%) | [+CV DC24V [+CV DC12V] [+CV DC42V] | | |
| | | | H3000K | | RA97 | 4220 | | | | | | |
| | | | H3500K | | RA97 | 4220 | | | | | | |
| | | | H4000K | | RA97 | 4530 | | | | | | |
| | | | H5000K | | RA97 | 4530 | | | | | | |
| H6000K | | RA97 | 4530 | | | | | | | | | |
| 2C@48W | TWH | H2700K | H6000K | RA97 | 3200 | >0.9 | | | | | | |
| 4C@48W | RGBW | 620nm 520nm 465nm H2700K | \ | 3200 | >0.7 | | | | | | | |
| 5C@48W | RGBTWH | 620nm 520nm 465nm H2700K H6000K | \ | 3200 | >0.6 | | | | | | | |
| GTR6711A-MCA100A-L1500 | 60W [75W] [50W] | 600x0.5W SMD2835 | H2700K | | RA97 | 4910 | >0.9 | 360° | | | [+CDP]:PWM(1%) | [+CV DC24V [+CV DC12V] [+CV DC42V] |
| | | | H3000K | | RA97 | 5280 | | | | | | |
| | | | H3500K | | RA97 | 5280 | | | | | | |
| | | | H4000K | | RA97 | 5660 | | | | | | |
| | | | H5000K | | RA97 | 5660 | | | | | | |
| H6000K | | RA97 | 5660 | | | | | | | | | |
| 2C@60W | TWH | H2700K | H6000K | RA97 | 4000 | >0.9 | | | | | | |
| 4C@60W | RGBW | 620nm 520nm 465nm H2700K | \ | 4000 | >0.7 | | | | | | | |
| 5C@60W | RGBTWH | 620nm 520nm 465nm H2700K H6000K | \ | 4000 | >0.5 | | | | | | | |
| GTR6711A-MCA100A-L1800 | 72W [90W] [60W] | 720x0.5W SMD2835 | H2700K | | RA97 | 5880 | >0.9 | 360° | [+CDP]:PWM(1%) | [+CV DC24V [+CV DC12V] [+CV DC42V] | | |
| | | | H3000K | | RA97 | 6340 | | | | | | |
| | | | H3500K | | RA97 | 6340 | | | | | | |
| | | | H4000K | | RA97 | 6780 | | | | | | |
| | | | H5000K | | RA97 | 6780 | | | | | | |
| H6000K | | RA97 | 6780 | | | | | | | | | |
| 2C@72W | TWH | H2700K | H6000K | RA97 | 4800 | >0.9 | | | | | | |
| 4C@72W | RGBW | 620nm 520nm 465nm H2700K | \ | 4800 | >0.7 | | | | | | | |
| 5C@72W | RGBTWH | 620nm 520nm 465nm H2700K H6000K | \ | 4800 | >0.6 | | | | | | | |
| GTR6711A-MCA100A-L2000 | 80W [100W] [66W] | 840x0.5W SMD2835 | H2700K | | RA97 | 6540 | >0.9 | 360° | | | [+CDP]:PWM(1%) | [+CV DC24V [+CV DC12V] [+CV DC42V] |
| | | | H3000K | | RA97 | 7040 | | | | | | |
| | | | H3500K | | RA97 | 7040 | | | | | | |
| | | | H4000K | | RA97 | 7540 | | | | | | |
| | | | H5000K | | RA97 | 7540 | | | | | | |
| H6000K | | RA97 | 7540 | | | | | | | | | |
| 2C@80W | TWH | H2700K | H6000K | RA97 | 5600 | >0.9 | | | | | | |
| 4C@80W | RGBW | 620nm 520nm 465nm H2700K | \ | 5600 | >0.7 | | | | | | | |
| 5C@80W | RGBTWH | 620nm 520nm 465nm H2700K H6000K | \ | 5600 | >0.5 | | | | | | | |
| GTR6711A-MCA100A-L2400 | 96W [120W] [80W] | 960x0.5W SMD2835 | H2700K | | RA97 | 7850 | >0.9 | 360° | [+CDP]:PWM(1%) | [+CV DC24V [+CV DC12V] [+CV DC42V] | | |
| | | | H3000K | | RA97 | 8450 | | | | | | |
| | | | H3500K | | RA97 | 8450 | | | | | | |
| | | | H4000K | | RA97 | 9050 | | | | | | |
| | | | H5000K | | RA97 | 9050 | | | | | | |
| H6000K | | RA97 | 9050 | | | | | | | | | |
| 2C@96W | TWH | H2700K | H6000K | RA97 | 6300 | >0.9 | | | | | | |
| 4C@96W | RGBW | 620nm 520nm 465nm H2700K | \ | 6300 | >0.7 | | | | | | | |
| 5C@96W | RGBTWH | 620nm 520nm 465nm H2700K H6000K | \ | 6300 | >0.6 | | | | | | | |

NOTE:

All parameters are measured at 25°C ambient temperature, 35% humidity experimental environment. Tolerances of power and luminous flux are ±10%, tolerance of color rendering index is ±3.