



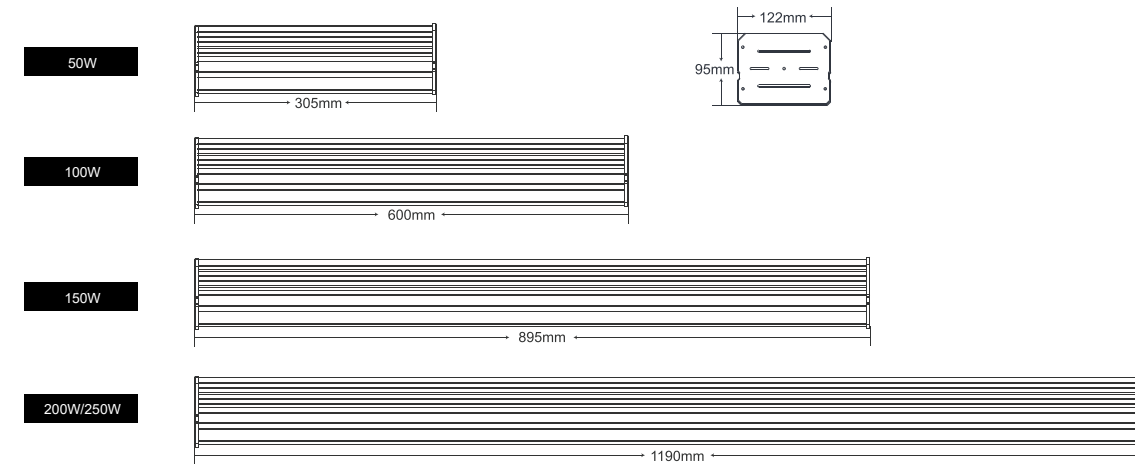
K1 LED Linear High Bay Light



Features

- Unique design with aviation aluminum material
- Three-dimensional diamond light guide technology
- Beam angle 60° /90° /120° with transparent / frosted PC lens available
- Endless Connection
- Colorful housing can be customized

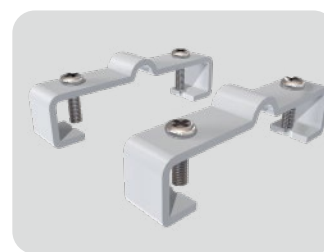
Product specifications



Certifications



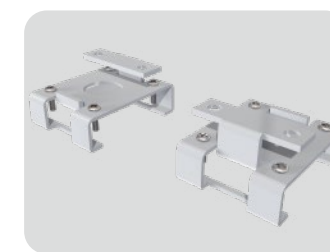
Mounting Accessories



Hanging Mount



Pipe Mount



Surface Mount

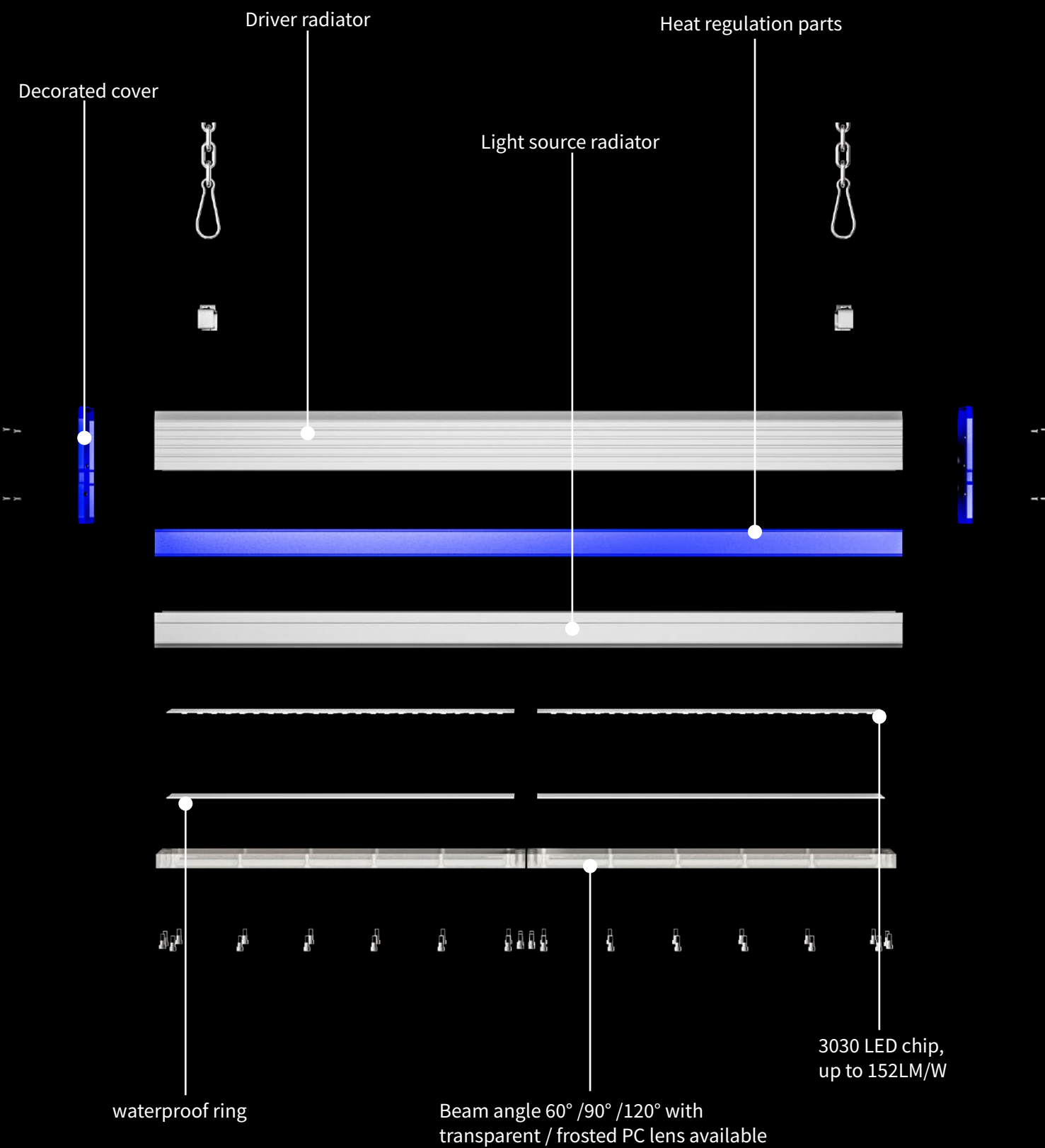
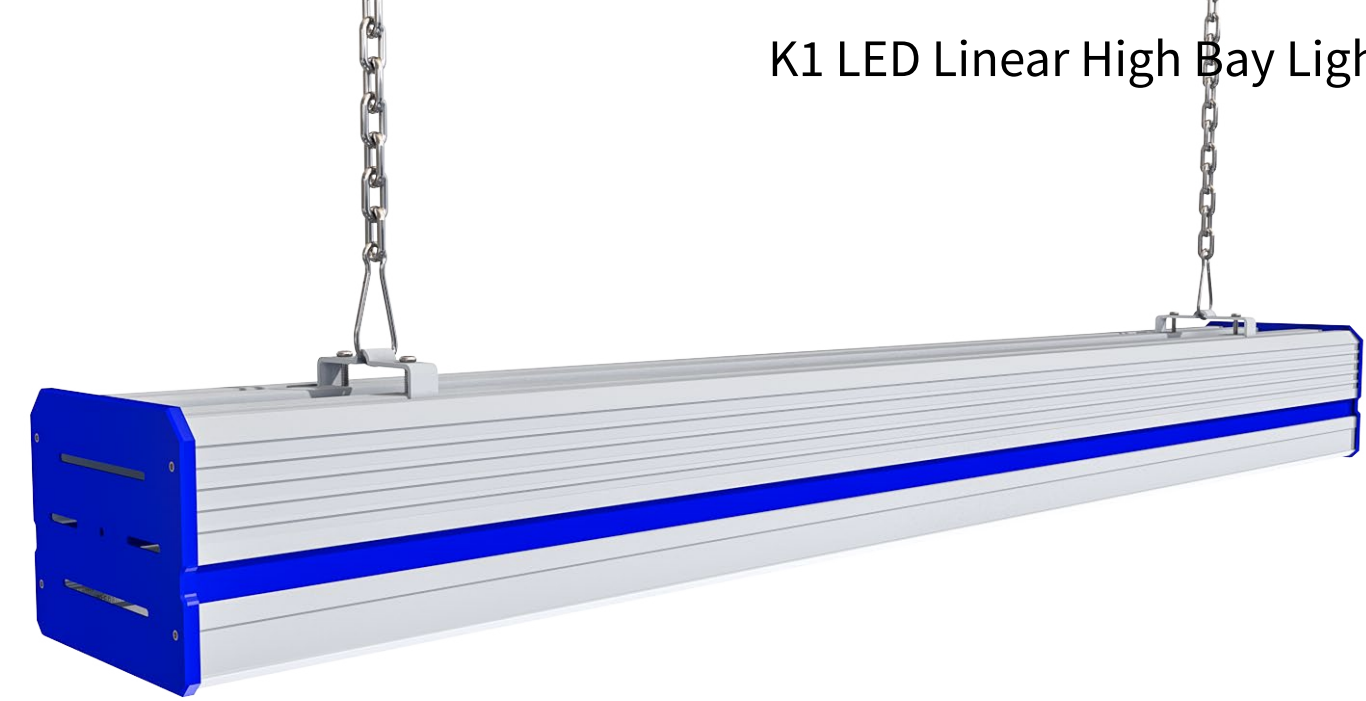


Bracket mount

K1

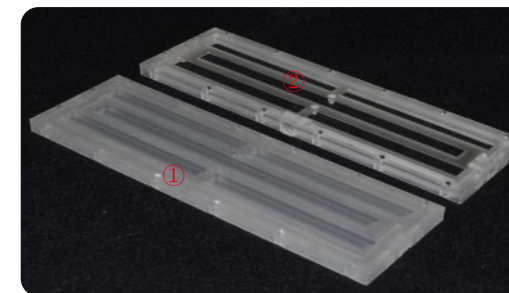
LED Linear High Bay Light

K1 LED Linear High Bay Light



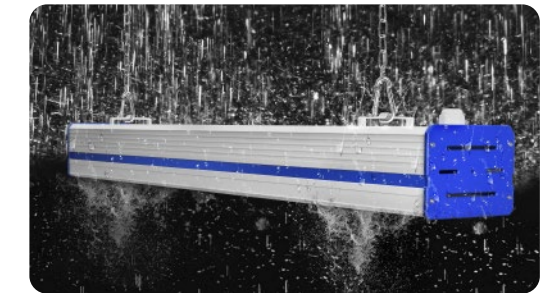
①Milky Lens ②Transparent Lens

View angle 60°/90°/120° available



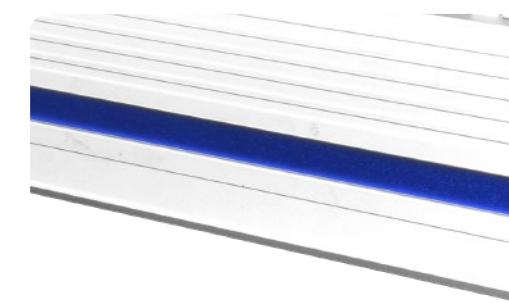
IP Rating IP65

Use silicon rubber ring sealing process, IP grade reach IP65, completely prevent dust invasion and heavy rain.



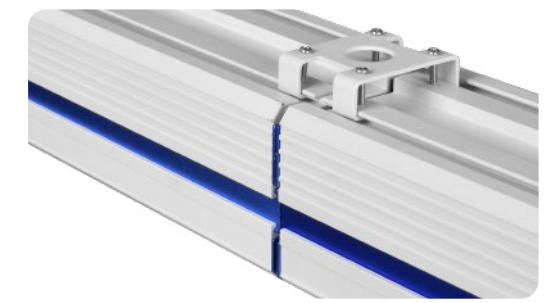
Perfect Heat Dissipation

The power supply and the light board are independently cooled.



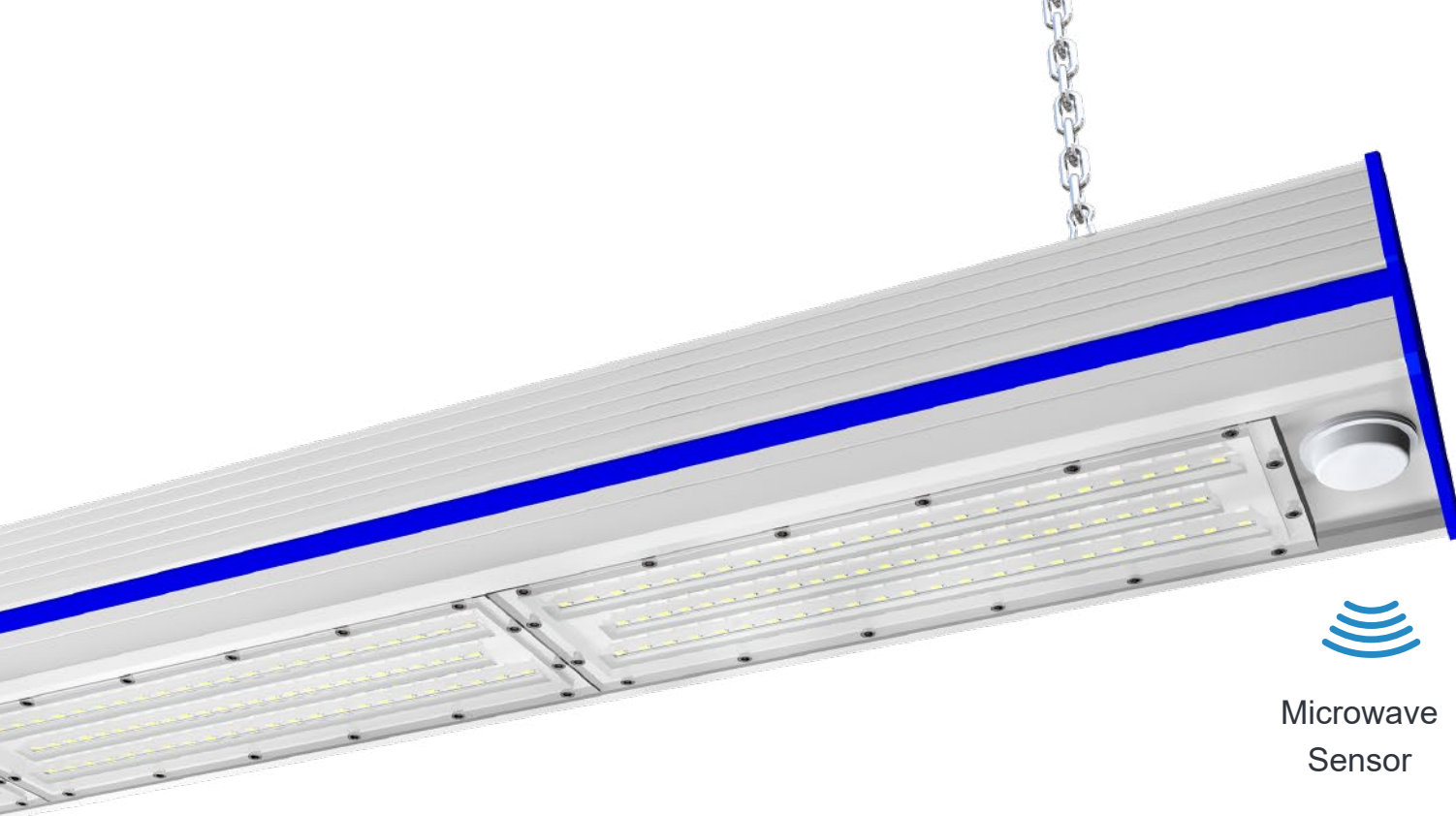
Connection buckle

The lamp body and the lamp body can be directly spliced infinitely, which is convenient and quick to install.



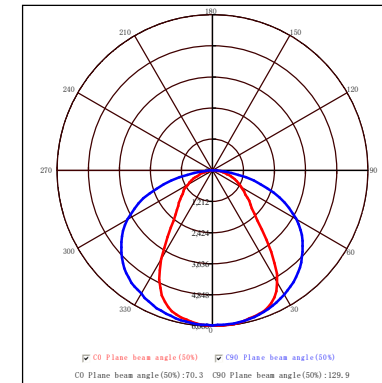
High Voltage

K1 also provides high voltage version. (277-480VAC)

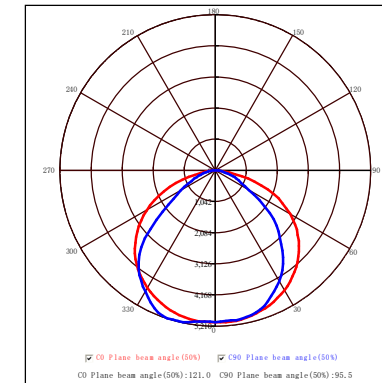


Light Distribution

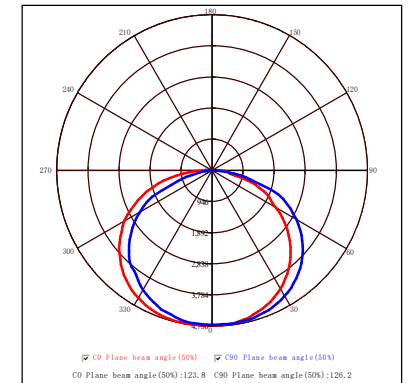
60X120°



90X120°



120X120°



DALI Control

Luminaires can be controlled by a computer.

1-10V Dimming

Luminance can be divided into 10 level, set it upon your specific needs.

Timer control

We can set the lamp to work at a specific time to save cost.

Daylight sensor

Provide an energy saving without sacrificing visual comfort. With ambient light dependent control.

Zigbee Control

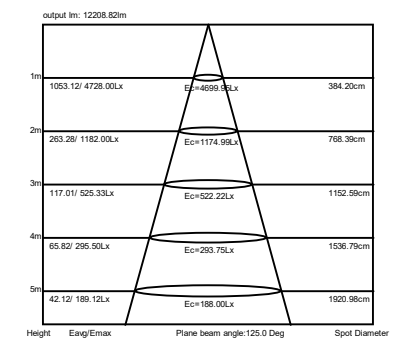
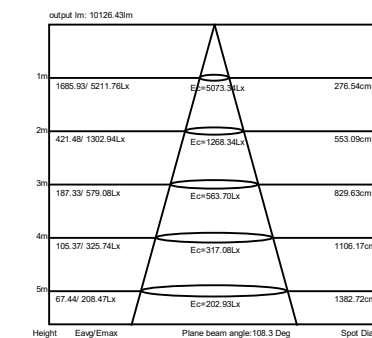
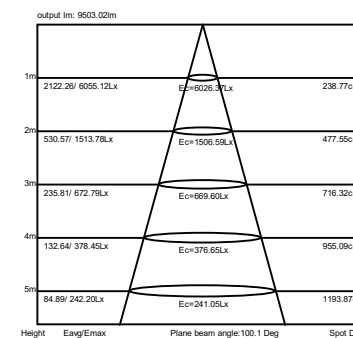
Zigbee Remote Control provides a global standard for advanced, greener and easy-to-use RF remotes that removes line-of-sight restrictions while also delivering two-way communication, longer range of use and extended battery life.

Emergency power supply

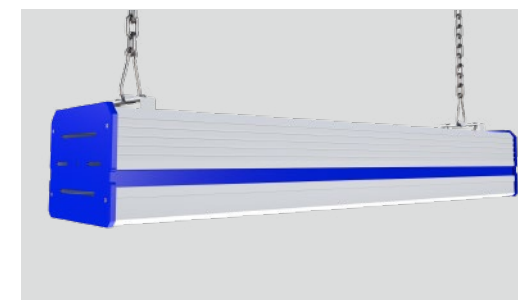
The duration of emergency operation of 1-3h depends on LED lamp power rating and the capacity of battery used.

Motion sensor

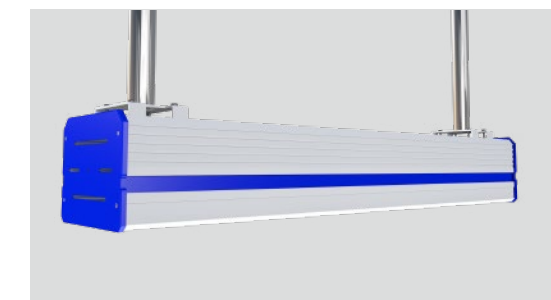
Automatic dimming when used in combination with 1-10V Built-in adjustable daylight sensor. widely use in warehouse area.



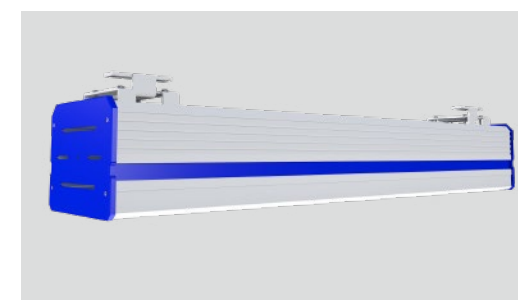
Multiple Mounting



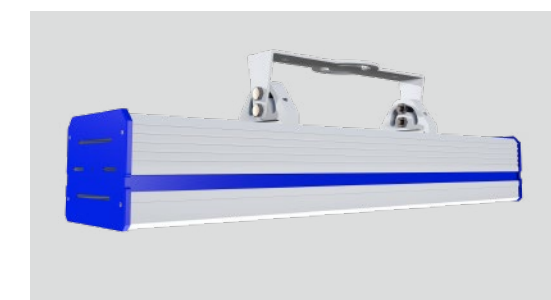
Hanging Mount



Pipe Mount



Surface Mount



Bracket mount

Product Parameters

| Part Number | HB50W-K1 | HB100W-K1 | HB150W-K1 | HB200W-K1 | HB250W-K1 |
|---------------------|---|---------------|---------------|----------------|----------------|
| Power | 50W | 100W | 150W | 200W | 250W |
| Luminous Efficacy | 152LM/W | 152LM/W | 152LM/W | 152LM/W | 152LM/W |
| Lumen Output | 7600lm | 15200lm | 22800lm | 30400lm | 38000lm |
| LED Quantity | 77pcs | 154pcs | 231pcs | 308pcs | 308pcs |
| Size(mm) | L305*W122*H95 | L600*W122*H95 | L895*W122*H95 | L1190*W122*H95 | L1190*W122*H95 |
| CCT | 3000K 4000K 5000K 6000K (Custom Option) | | | | |
| CRI | ≥80Ra | | | | |
| System Efficiency | ≥90% | | | | |
| Lens | 60°/90°/120° | | | | |
| Input Voltage | AC100-277V/347V/480V, 50-60Hz, >0.92 | | | | |
| Warranty | 7 years | | | | |
| IP Rating | IP65 | | | | |
| Lifespan | 50,000+ Hours | | | | |
| Material | Die-casting Aluminum housing+PC lens | | | | |
| Working Temperature | -30°C to +50°C | | | | |
| Certification | UL,DLC,SAA,VEET,CB,IK10,IP65 | | | | |
| Color of housing | Blue+white(customized) | | | | |

Packing Info

| Model No. | N.G(KG) | G.W (KG) | Pcs/carton | Carton Size(CM) |
|-----------|-----------|----------|------------|-----------------|
| HB50W-K1 | 1.78/2.55 | 2.88/3.1 | 1 | 41*22*20 |
| HB100W-K1 | 4 | 4.1 | 1 | 70*22*20 |
| HB150W-K1 | 5.05 | 5.8 | 1 | 101*22*20 |
| HB200W-K1 | 7.36 | 7.65 | 1 | 130*22*21 |
| HB250W-K1 | 7.7 | 8 | 1 | 130*22*21 |

Application

