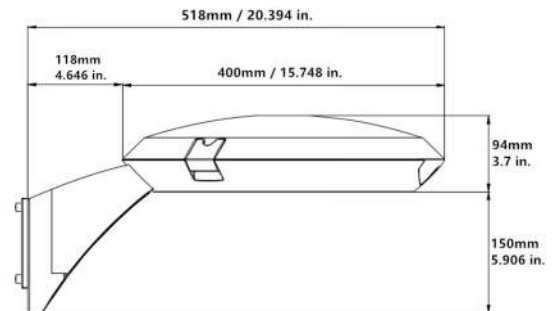


Fast Arm-mount CitySoft™ Amazing G1

---Site、 Area & Roadway luminaire

Light plays an integral role in defining the spaces in which we live

As part of the pedestrian experience we want to be reminded of spaces we value. The most valued “people spaces” in the urban environment are those that tie to nature. CIP’s CitySoft™ Amazing family of LED luminaires uses seamless organic design elements with an unregimented symmetry as seen and reflected in nature



Net weight: 7.5Kg

EPA: 0.53(Sq. Ft.)



Features

The CitySoft™ Amazing LED luminaire helps encourage ground level wayfinding, improving the ability to quickly navigate a space. The LED Optics provide a uniform pixelation free image, managing glare while providing high levels of visibility, improves nighttime visibility allowing rapid identification of risk, promoting a comfortable and secure setting

- Multiple options of light distribution to cover all the road lighting application requirements
- Internal hidden rotating axis structure design allows opening the fixture without compromising the exterior design
- Fast Arm mount to Round pole, Square pole and Wall mounting
- Dynamic thermal regulation protects LEDs and electronics under extreme temperatures
- Body designed to prevent fitting from water、 dust、 and bird droppings etc.,
- Self-cleaning and Tool free entry
- Replaceable driver unit and control gear
- 0-10V & 1-10V dimmable、 DALI Control gear、 Timer control、 Zigbee control for Smart City management
- Photo sensor control 3P 5P 7P NEMA Socket & Twist-lock Receptacle
- Attached Microwave Motion Sensor available
- Common mode surge protection 6KV and Customized achievable up to 10KA and 20KA for option
- Die-cast aluminum optical assembly, lid, body and arms, thickness 3.5~4.0mm

Benefits

- Multiple solutions for all the road lighting requirements
- An integrated Urban Styling lighting toolbox designed for many different urban applications
- Lower energy consumption by up to 60%, with a corresponding reduction in CO2 emissions
- Less and Easier maintenance
- Future-proof
- Smart & Intelligent lighting control
- City-attractive, welcoming, convenient and safe

Applications

City centers, Commercial districts, Parks and Plazas, Urban landscape, Rural road, Riverside, Residential areas, Pathway etc.,

Technical Specifications

Construction & Housing

- Housing is cast from corrosion resistant aluminum, maintaining strength and precision to sustain long term dayform appearance
- Aluminum die-casting is designed as one-piece with internal cooling fins
- Stable mechanical system prevents damage from installation generated vibration
- Molded silicone gasket throughout insures the sealing and provides ingress protection
- Body designed to prevent fitting from water、 dust、 bird droppings etc., and reachable with Self-cleaning

Finish

- Utilizes premium ultra-weatherable **AKZO** polyester powder coatings to withstand extended outdoor exposure, providing excellent resistance to corrosion, ultraviolet degradation and abrasion under **10 years lifetime**
- Good film appearance combined with excellent mechanical and exterior exposure qualities display greater than twice as much gloss retention
- **Special Seaside application finishing with 10 years guarantee** is provided at MOQ 200pcs
- Finish is compliant with 1500hrs salt spray. **3000hrs salt spray is provided** at MOQ 500pcs
- Standard color includes Dark Bronze (RAL8019), Anthracite Grey (RAL7016) and Black (RAL9005)
- RAL & Customized color available with MOQ 200pcs

Optics

- Built-in PC optical lens with exterior tempered glass
- Type II-S、 Type III-S、 Type IV-S、 Type V-S offered as standard
- A variety of optics to meet full of different roads and strict street lighting requirements except for above standards
- Find the whole range of optics and instructions in below

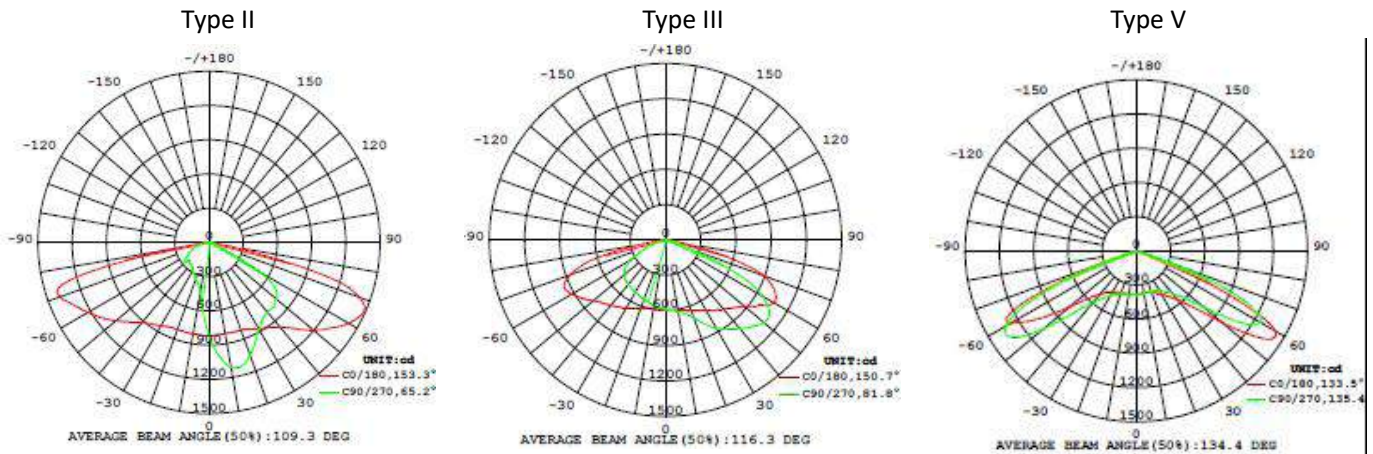
Light Performance

- SDCM<3
- Anti-glare
- Luminaire output efficacy up to 130 LPW. Minimum CRI 70 offered as standard. 80 CRI offered as customized

- CCT 2700-3000K, 3700-4000K, 4700-5000K, 5400-5700K offered as standard. **Amber as customized**
- **EPA** (Effective Projected Area): 0.53 (Sq. Ft.)

Nominal Wattage	Distribution	2700K CRI>80				4000K CRI>70				5000K CRI>70								
		Lumen	BUG Rating			lm/w	Lumen	BUG Rating			lm/w	Lumen	BUG Rating			lm/w		
			B	U	G			B	U	G			B	U	G			
25.0W	Type II					3500	1	1	1	140								
	Type III					3125	1	1	1	125								
	Type IV					3063	1	1	1	123								
	Type V					3650	2	1	2	146								
36.0W	Type II					4608	1	1	1	132								
	Type III					4320	1	1	1	124								
	Type IV					4233	1	1	1	121								
	Type V					4900	2	1	2	140								
60.0W	Type II					7968	1	1	2	133								
	Type III					7500	1	1	1	125								
	Type IV					7350	1	2	2	123								
	Type V					8088	2	1	2	135								
79.0W	Type II					10152	2	1	2	129								
	Type III					9758	2	1	2	124								
	Type IV					9563	2	2	2	121								
	Type V					10450	3	1	3	132								
98.0W	Type II					11936	2	1	2	122								
	Type III					10368	2	1	2	106								
	Type IV					10161	2	2	2	104								
	Type V					12500	3	1	3	128								

Distribution curve



Electrical

- LED modular and heat sink are directly mounted to upper housing thermal pad for optimal thermal performance
- Protection Class I offered as standard. **Class II offered as customized**
- Input voltage 100-277Vac 50/60Hz. 347V-480Vac 60Hz contact manufacturer for inquiry
- PF>0.92 at full load. THD<10% at full load.
- Integral 6KV surge protection offered as standard (80W is 10KV). **10KA 20KA SPD offered as customized**
- Replaceable driver unit and control gear
- Powered off automatically when opening the fixture

Dimming and Controls

- 0-10V & 1-10V dimmable, dimming range from 10% to 100%
- DALI Control gear dim-to-off
- Timer dimmable with 3 timer modes: Self Adapting-Midnight; Self Adapting-Percentage and Traditional timer
- 3P NEMA Socket, traditional on/off photoelectric control
- 5P NEMA Socket, wireless photoelectric control for added dimming feature
- 7P NEMA Socket, wireless photoelectric control for dimming and additional I/O connections for customer use
- Wireless Controls: On-Fixture Module with 7P NEMA Socket as Zigbee communication
- Integrated Microwave Motion sensor--on/off
- Detached dimming and occupancy Microwave Motion sensor for added dimming feature
- **Osram OPTOTRONIC driver offered as customized 4DIM in one device (StepDIM, AstroDIM, MainsDIM, DALI)**

Mountings

- Arm mount to 3.0 to 4.5 inches (76-114mm) OD round poles
- Arm mount to any larger Square poles
- Arm mount to any walls

Installations and Maintenance

- Suggested installation height 2.5m(8ft) to 8.0m(26ft)
- Fast arm mount installation on Round and Square poles, as well to any kind of walls
- Tool-less opening and Easy maintenance on-site
- All external screws are in AISI 304 stainless steel. Screw connection block or as option an external IP connector
- 0.5m outlet Input cable offered as standard and customized cable length is acceptable
- Body designed to prevent fitting from water, dust, and bird droppings etc.,
- Self-cleaning

Ratings

- IP66 Rated
- IK09 Rated
- CE-EMC CE-LVD SAA C-tick IEC ETL and DLC Listed
- Complies with the materials of RoHS
- Operating temperature rated at -40°C to 50°C

Lumens maintenance and Warranty

Ambient temperature	TM-21 Lumen Maintenance (60,000 Hours)	Calculated L80 (Hours)	Warranty time
25°C	>91%	>60,000	10 Years
40°C	>88%	>60,000	7 Years
50°C	>86%	>42,000	5 Years

CAUTION

Fixtures must be grounded in accordance with national, state and/or local electrical codes. Failure to do so may result in serious personal injury