



200LMS/W

**Available from
100W TO 600W**

HB100W/150W/200W/250W/300W/
400W/500W/600W



K7

LED LINEAR LIGHT

ULTRA-HIGH QUALITY, FIRST-CLASS SERVICE
COST-EFFECTIVE LED LINEAR LAMP

K7 LED Linear High Bay Light



Features

-200LM/W

-100W/150W/200W/250W/300W/400W/500W/600W

-120° beam angle (milky white PC lens or clear PC lens optional)

-AC100-277V/347V480V Voltage

-3000K-6500K CCT (4000 & 6000K optional)

-Intelligent control: infrared remote control, Zigbee, Bluetooth Mesh, high-altitude microwave sensor, infrared light sensor, Zigbee version supports heat map, supports light decay compensation

-Multiple Mounting Options: Suspended mounted/Fixed ceiling mounted/Boom mounted

-UL / DLC/CB/SAA/VEET

-Reduce overall number of SKUs to 2 or 3 while offering 4 wattage and 3 CCT choices

-Streamline ordering and inventory, making it flexible enough for distributor stock and flow

Certifications



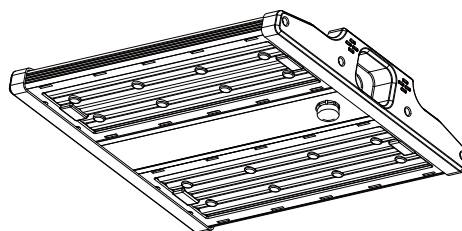
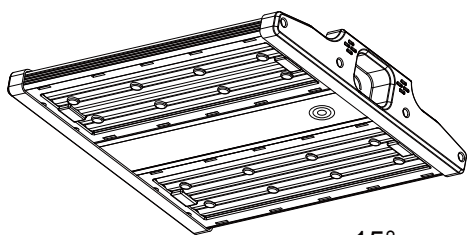
K7 LED Linear High Bay Light



Intelligent control option

Multi-function switch remote control Mobile APP

Just replace the smart accessories and install Intelligent control freely: infrared remote control, Zigbee, Bluetooth Mesh, high-altitude microwave sensor, infrared light sensor, Zigbee version supports heat map, supports light decay compensation



HSSA18-I-M

Microwave infrared remote control 0-10V



HSSA18-I-MID

Microwave light sensing infrared remote control 0-10V



HSSA18-I-ID

Optical infrared remote control 0-10V



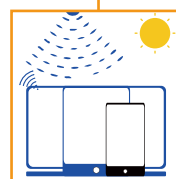
HSSA18-Z

Zigbee 0-10V



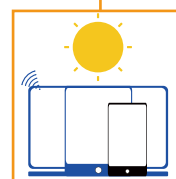
HSSA18-Z-M

Microwave ZigBee0-10V



HSSA18-Z-MID

Microwave light sensor ZigBee0-10V



HSSA18-Z-ID

Light sensing ZigBee0-10V

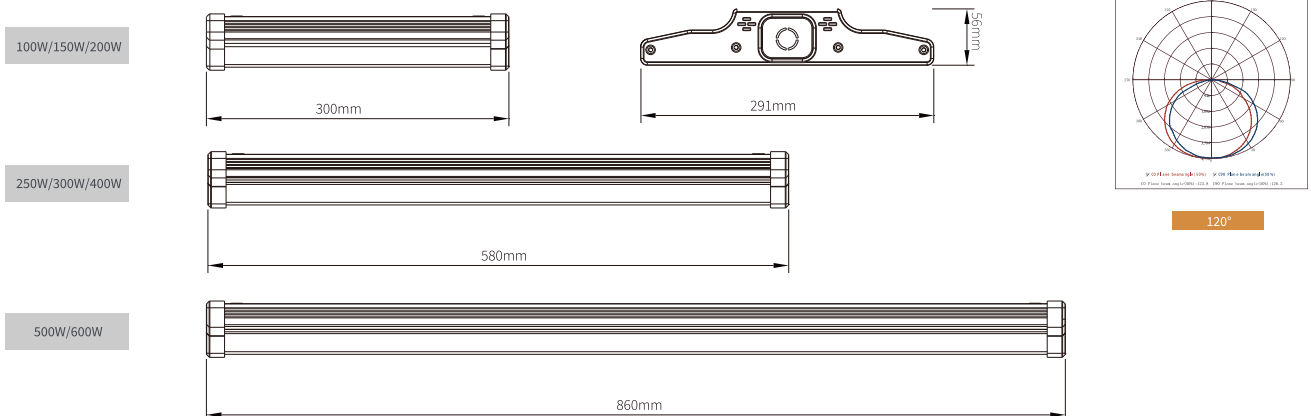
K7 LED Linear High Bay Light



Product Parameters

Part Number	HB100W/150W/200W-K7	HB250W-300W/400W-K7	HB500W/600W-K7
Wattage	100W/150W/200W	250W/300W/400W	500W/600W
Lumen Output	20000lm/30000lm/40000lm	50000lm/60000lm/80000lm	100000lm/120000lm
LED Chip	Lumileds 3030		
Luminous Efficacy	200LM/W		
LED Quantity	224pcs/224pcs/448pcs	448pcs/448pcs/896pcs	1344pcs
CCT	3000K-6500K		
CRI	≥80		
Beam Angle	120°		
IP Rating	IP22		
Working Temperature	-30°C to +55°C		
Input Voltage	AC100-277V/347V/480V,50/60HZ,>0.92		
Warranty	7 years		
Lifespan	>50,000hrs		
Material	Aluminum housing+PC leds		
Size(MM)	L300*W291*H56	L580*W291*H56	L860*W291*H56

Dimension



K7 LED Linear High Bay Light

Multiple Mounting



Suspended mounted



Fixed ceiling mounted



Boom mounted

Application

Widely use in Factory, Workshop, Warehouse, Logistics Center, Exhibition Hall, Stadium, Gas Station, Supermarket and etc.

