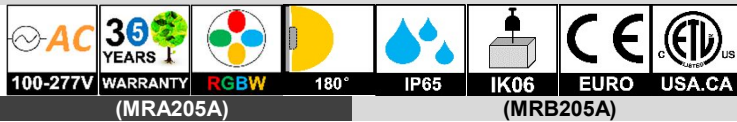


**GTG1113F: LED BULKHEAD LIGHT**

**INTRODUCTION**



**FEATURE**

Durable Optimized LED Lighting  
 Long Lifespan >50,000hours  
 Working Temperature: -30°C~50°C

**MAIN MATERIAL**

LED Brand: GUBO  
 Driver Brand: GUBO  
 Housing: Die-casted Aluminum  
 Diffuser: Anti-UV Opal PC Diffuser

**INSTALLATION**

Suitable for Architecture Illumination, Like Balcony, Veranda, External Wall...  
 [FFS] Surface Mounted: Ceiling, Wall, Pillar-top  
 [FJP]: Mounting Plate on Outlet Box

**STANDARD**

Designed and Manufactured to Comply with  
 TUV/CB/CE/RoHS/SAAP/Erp/cETL/FCC  
 IP65 Protection, Class I Electrical

**CUSTOM OPTION**

LED CCT: 1,800K~10,000K/R/G/B/Y  
 [CRI]: [E] Ra80, [G] Ra90, [H] Ra97



**[SFH]: Custom Housing Finish Colors by RAL Code**

White RAL9003P	Black RAL9005P	Anthracite Grey RAL7016P	Dusty Grey RAL7037P	Traffic Grey RAL7042P	White Aluminum RAL9006P	Grey Brown RAL8019P	Telegrey RAL7047P	Graphite Grey RAL7043P	Pearl Grey RAL9022P
-------------------	-------------------	-----------------------------	------------------------	--------------------------	----------------------------	------------------------	----------------------	---------------------------	------------------------

MODEL	POWER [W]	LED TYPE	CCT [K]	CRI	FLUX [LM]	POWER FACTOR	BEAM ANGLE	CUSTOM DIMMING	INPUT [V]		
GTG1113F-MRA205A MRB205A	20W [15W]	72x0.5W SMD2835	E3000K	Ra80	2040	> 0.9	120°	[CDN]: Non-Dim [CDT]: TRIAC(10%) [CDV]: 0/1~10V(8%) [CDV0]: 0~10V(1%) [CDV1]: 1~10V(15%)	AC100~277V [AC220~240V] [AC110~130V] [AC100~240V] [AC100~347V] 50/60Hz		
			E4000K	Ra80	2140						
			E5000K	Ra80	2140						
			G2700K	Ra90	1630	> 0.9					
			G3000K	Ra90	1740						
			G3500K	Ra90	1740						
			G4000K	Ra90	1840						
			G5000K	Ra90	1840						
2C@20W	TW	G2700K G6500K	Ra90	1630	> 0.9						
4C@20W	RGBW	620nm 520nm 460nm G2700K	\	1630	> 0.9						
GTG11101A-MRA356A MRB356A	30W [20W] [15W]	144x0.5W SMD2835	E3000K	Ra80	2860	> 0.9	120°	[CSL]: Photocell Lux Sensor [CSM]: Micro Motion Sensor [CSMD]: Bi-level Microwave Motion Sensor	[CV DC12V] [CV DC24V] [CV DC48V]		
			E4000K	Ra80	3000						
			E5000K	Ra80	3000						
			G2700K	Ra90	2280	> 0.9					
			G3000K	Ra90	2430						
			G3500K	Ra90	2430						
			G4000K	Ra90	2580						
			G5000K	Ra90	2580						
			2C@30W	TW	G2700K G6500K	Ra90				2280	> 0.9
			4C@30W	RGBW	620nm 520nm 460nm G2700K	\				2280	> 0.9

**NOTE:**

All parameters are measured at 25°C ambient temperature, 35% humidity experimental environment.  
 Tolerances of power and luminous flux are ±10%, tolerance of color rendering index is ±5.

**[FFS] Flush Surface Mounted Light**

**DIMENSION: [UNIT: MM]**

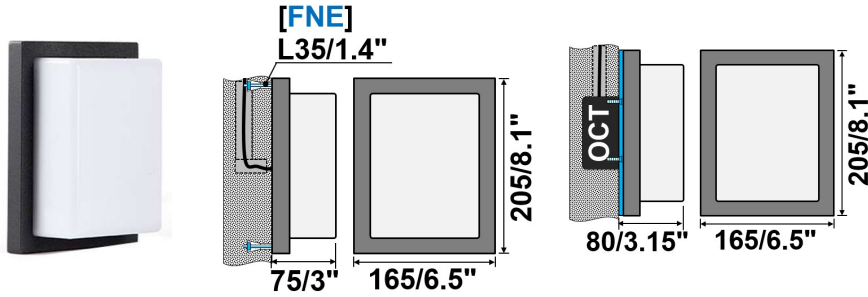
**NOTES:** Custom Installation and Accessories Referred to Another Catalogue of Fixing Kits.

MRA205A

[FNE-L35]

[FJP-OCT4IN]

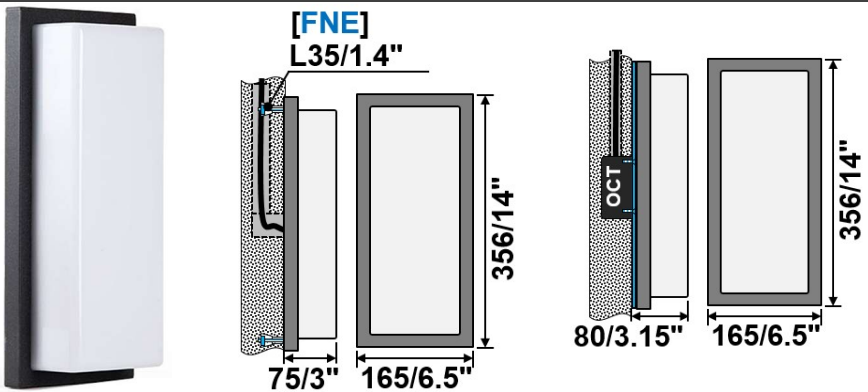
CASE STUDY:



MRA356A

[FNE-L35]

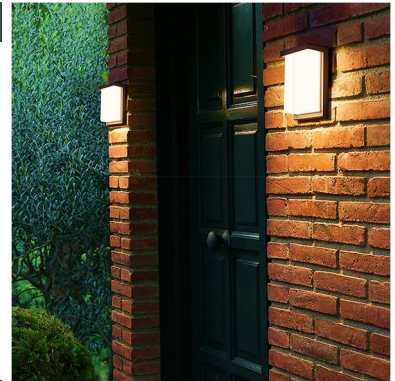
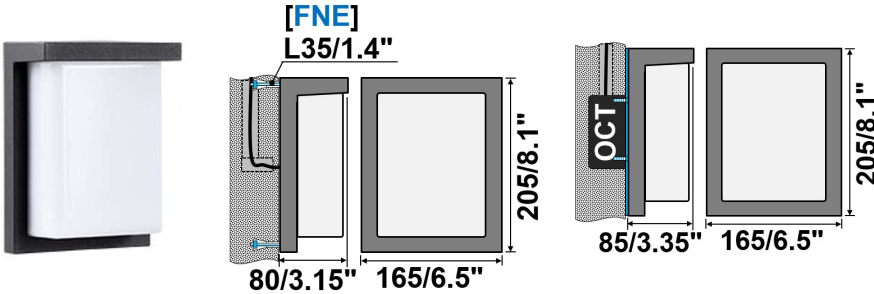
[FJP-OCT4IN]



MRB205A

[FNE-L35]

[FJP-OCT4IN]



MRB356A

[FNE-L35]

[FJP-OCT4IN]

