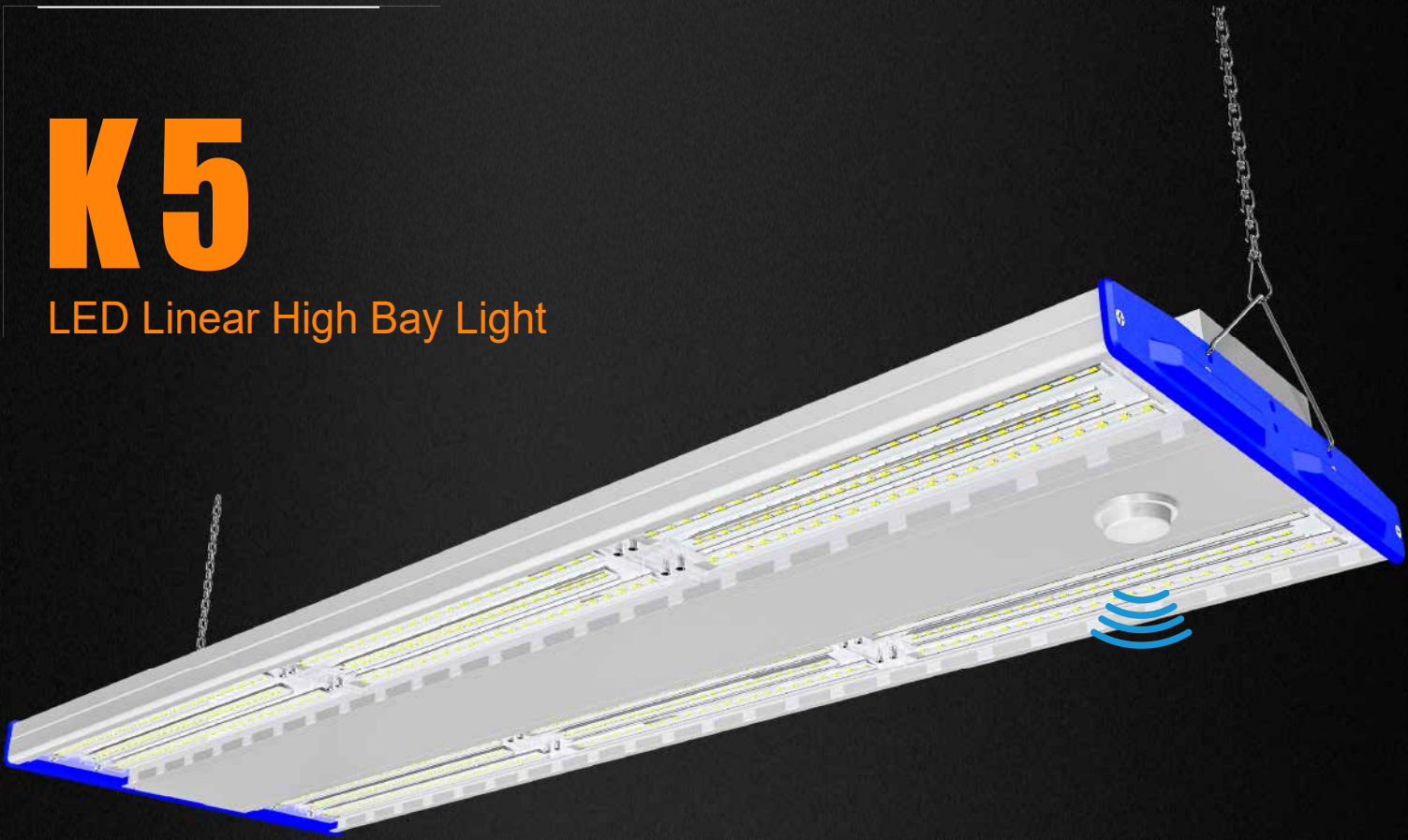


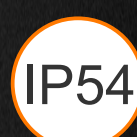


K5

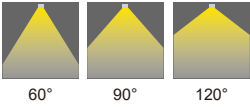
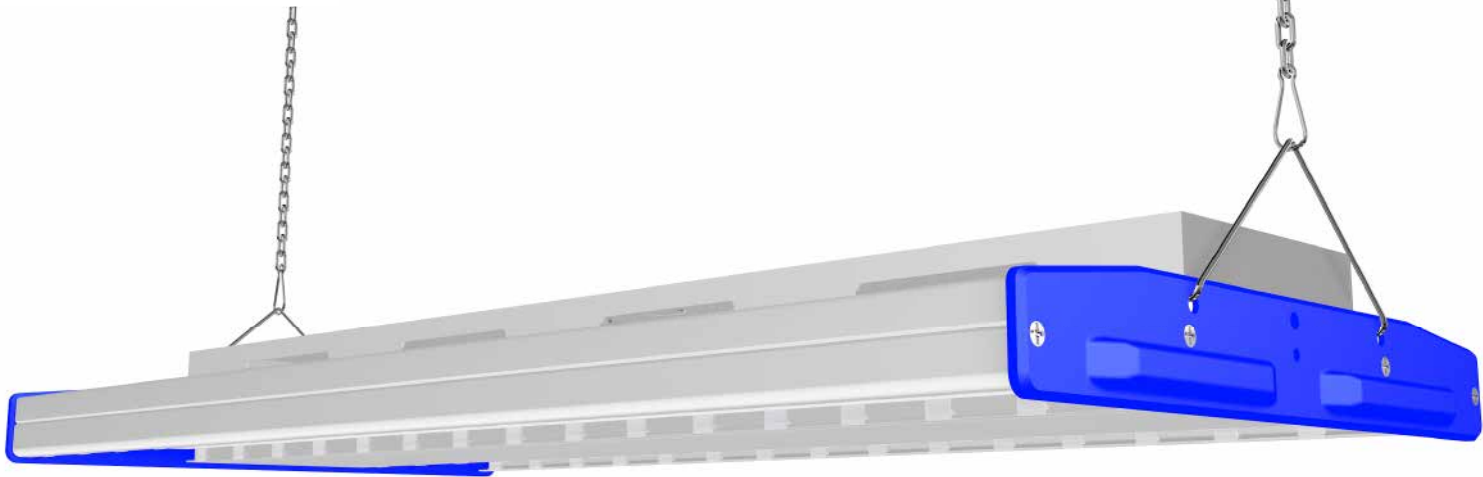
LED Linear High Bay Light



Snap-in Type Lens

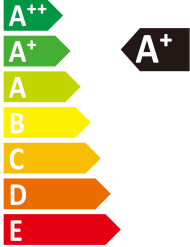
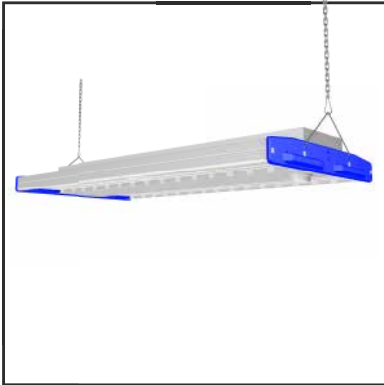
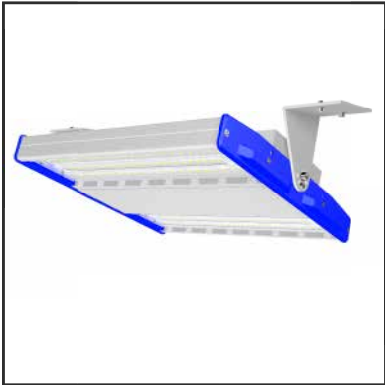
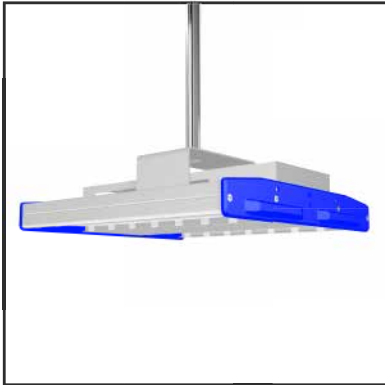


HIGH LUMEN LINEAR LED HIGH BAY



Product Description

- High luminous efficacy up to 152lm/w
- Separate heat sink for led driver and led chip
- Intelligent lighting: Zigbee wireless control, daylight sensor dimming, microwave sensor dimming, three in one (0-10v,PWM, resistance) dimming available
- Colorful housing can be customized



kWh/1000h



K5 LED Linear High Bay Light

Features

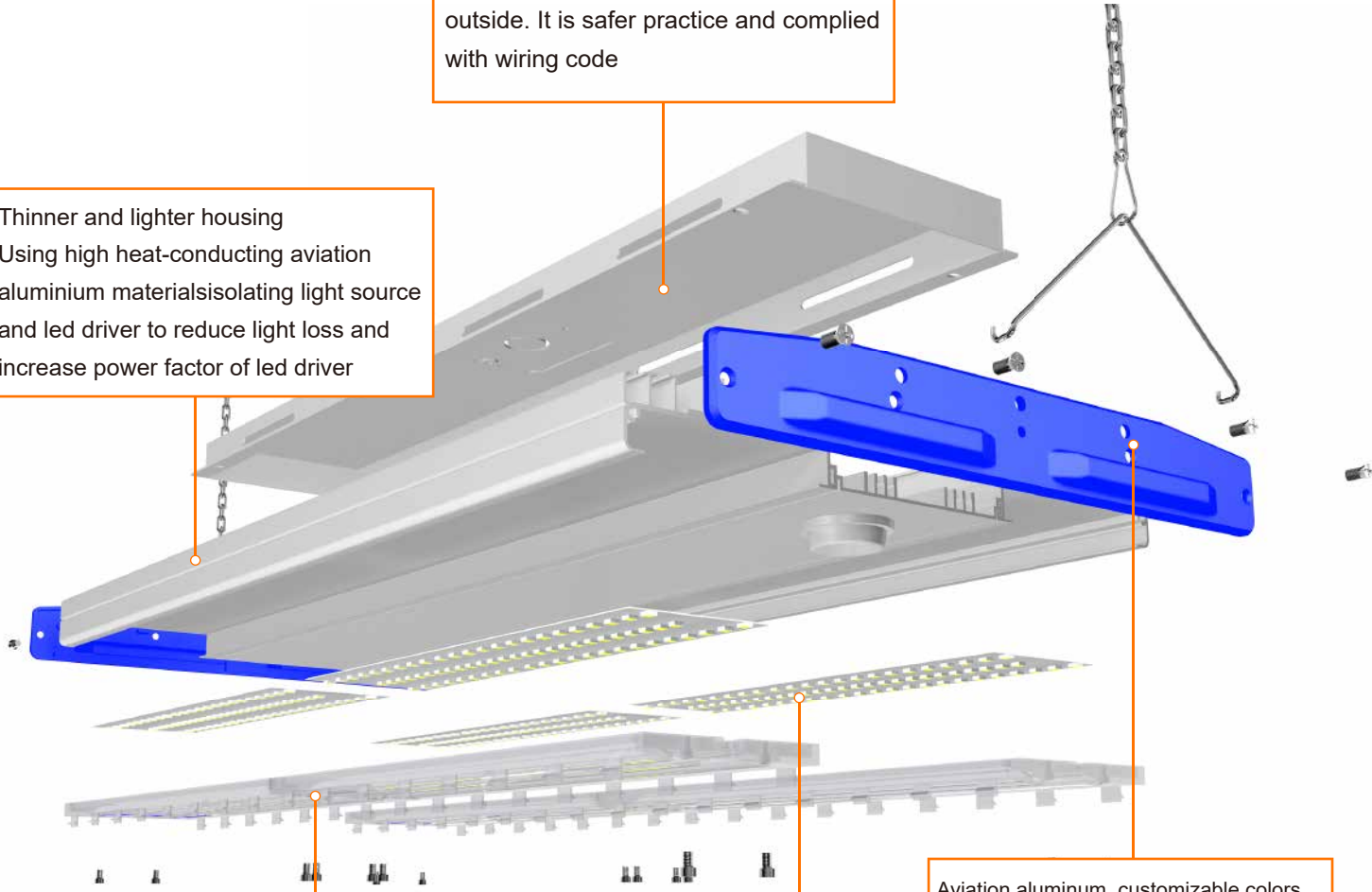
There is a junction box alongside the fixture for preventing wiring exposed outside. It is safer practice and complied with wiring code

Thinner and lighter housing
Using high heat-conducting aviation aluminium materials isolating light source and led driver to reduce light loss and increase power factor of led driver

Aviation aluminum, customizable colors

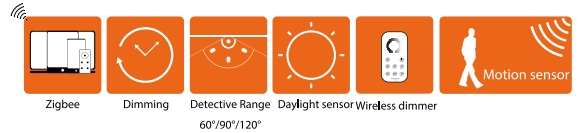
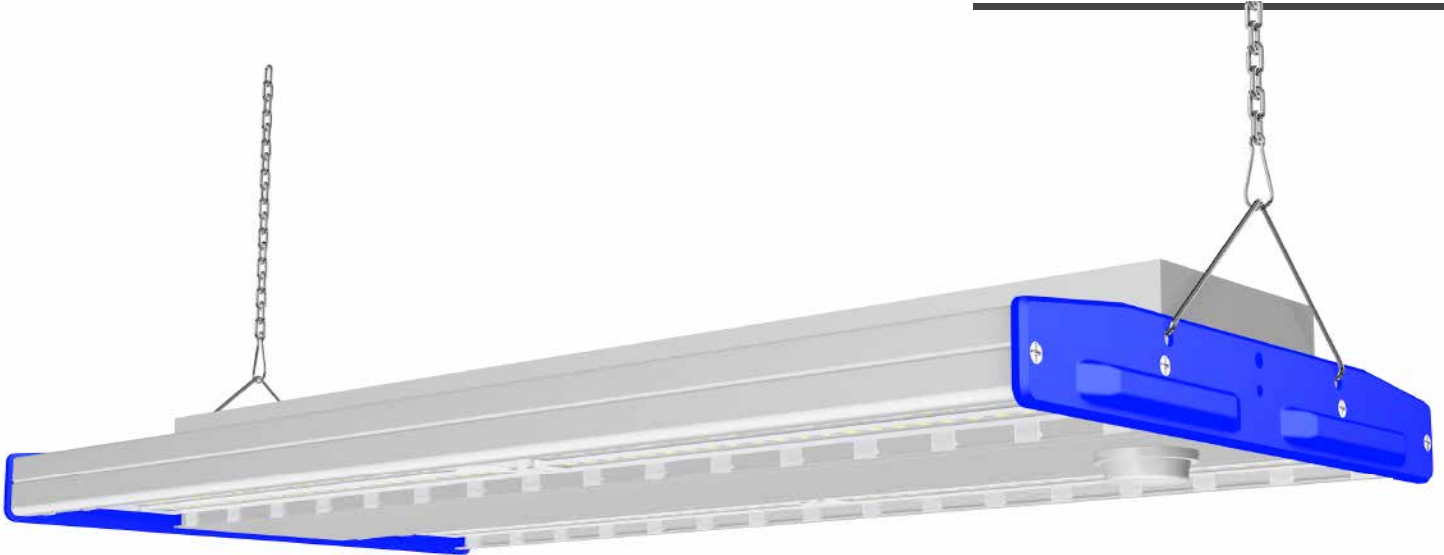
The lenses are fixed by snap with less screws which makes assembling very conveniently.
With integral waterproof rubber around lens and rubber plug designed in outlet terminal, IP rating up to IP54
Three-dimensional diamond light guide technology

3030 SMD LED chip, high lumen
152LM/W



K5 LED Linear High Bay Light

Accessories



Motion sensor



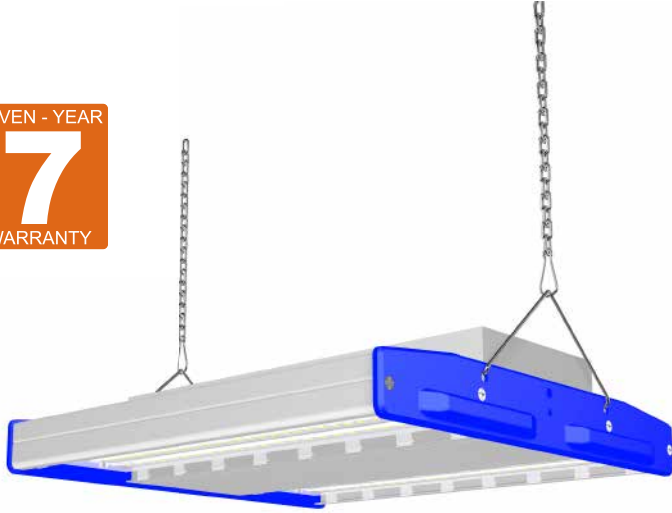
Daylight sensor



Zigbee wireless control

K5 LED Linear High Bay Light

SEVEN - YEAR
7
WARRANTY



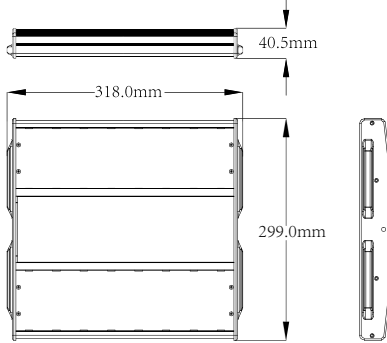
100/150W

SPECIFICATIONS

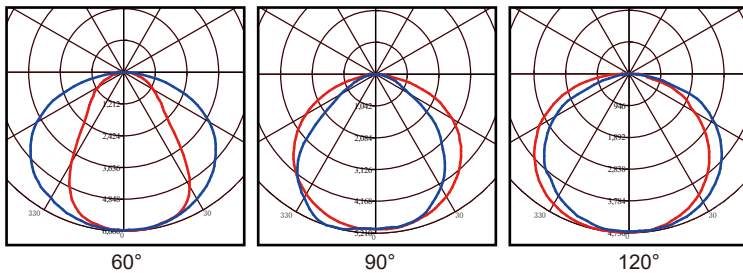
Technical Data

Model Number	HB100/150W-K5
Power	100/150W
Luminous Efficacy	152lm/W
Lumen Output	15200lm/22800lm
LED Quantity	168pcs
Dimension	318*299*40.5mm
CCT	3000K 4000K 5000K 6000K (Custom Option)
CRI	>80Ra
System Efficiency	≥90%
Beam angle	60°/90°/120°

Product Dimensions



Photometrics



Electrical Details

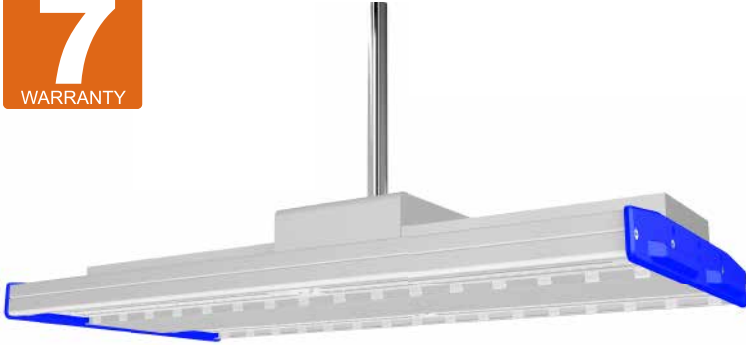
Input Voltage	AC100-277V/347V/480V
Power Frequency	50-60Hz
Output Voltage	DC36-48V
Power Efficiency	>92%
Power Factor	≥0.95
Total Harmonic Distortion	≤15%
Dimmable	Yes (Optional)

Other Details

IP Rating	IP54
Lifespan	100,000+ Hours
Storage Temperature	-20°~65°C
Operating Temperature	-20°~55°C
Luminaire Net Weight	3KG
Certification	UL, DLC Premium, SAA, TUV, VEET, CB
Color of housing	Blue+white(customized)

K5 LED Linear High Bay Light

SEVEN - YEAR
7
WARRANTY

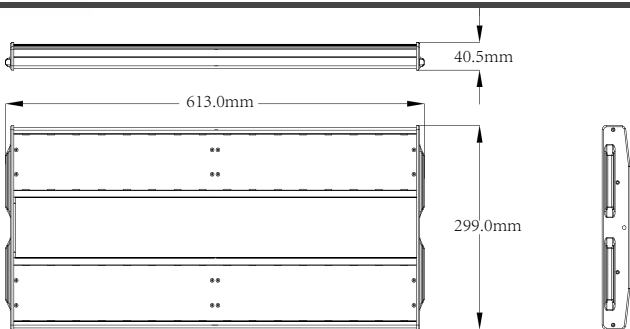


200/250W SPECIFICATIONS

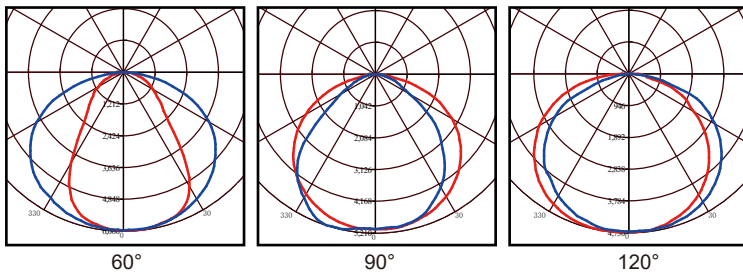
Technical Data

Model Number	HB200/250W-K5
Power	200/250W
Luminous Efficacy	152lm/W
Lumen Output	30400lm/38000lm
LED Quantity	336pcs
Dimension	613*299*40.5mm
CCT	3000K 4000K 5000K 6000K (Custom Option)
CRI	>80Ra
System Efficiency	≥90%
Beam angle	60°/90°/120°

Product Dimensions



Photometrics



Electrical Details

Input Voltage	AC100-277V/347V/480V
Power Frequency	50-60Hz
Output Voltage	DC36-48V
Power Efficiency	>92%
Power Factor	≥0.95
Total Harmonic Distortion	≤15%
Dimmable	Yes (Optional)

Other Details

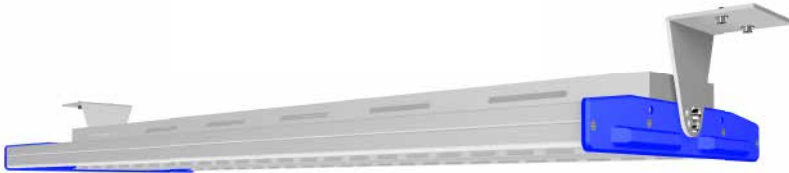
IP Rating	IP54
Lifespan	100,000+ Hours
Storage Temperature	-20°~65°C
Operating Temperature	-20°~55°C
Luminaire Net Weight	4.7KG
Certification	UL,DLC Premium,SAA,TUV,VEET,CB
Color of housing	Blue+white(customized)



K5 LED Linear High Bay Light



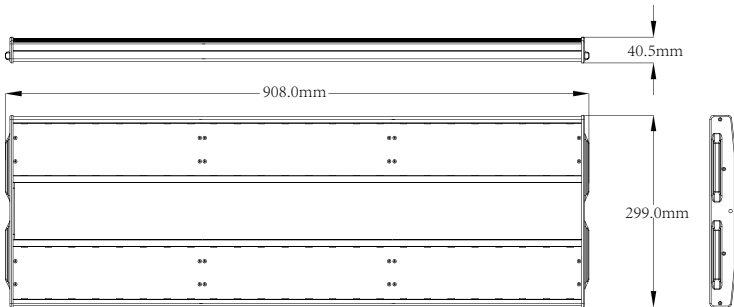
300W SPECIFICATIONS



Technical Data

Model Number	HB300W-K5
Power	300W
Luminous Efficacy	152lm/W
Lumen Output	45600lm
LED Quantity	504pcs
Dimension	908*299*40.5mm
CCT	3000K 4000K 5000K 6000K (Custom Option)
CRI	>80Ra
System Efficiency	≥90%
Beam angle	60°/90°/120°

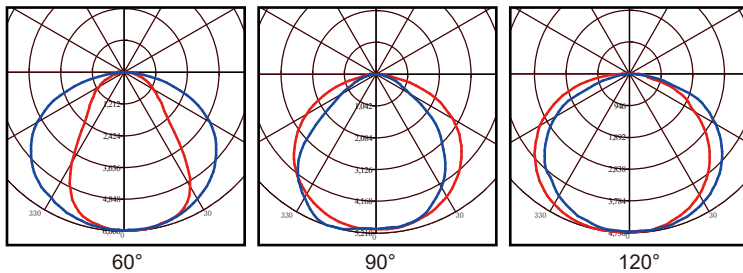
Product Dimensions



Electrical Details

Input Voltage	AC100-277V/347V/480V
Power Frequency	50-60Hz
Output Voltage	DC36-48V
Power Efficiency	>92%
Power Factor	≥0.95
Total Harmonic Distortion	≤15%
Dimmable	Yes (Optional)

Photometrics



Other Details

IP Rating	IP54
Lifespan	100,000+ Hours
Storage Temperature	-20°~65°C
Operating Temperature	-20°~55°C
Luminaire Net Weight	6.7KG
Certification	UL,DLC Premium,SAA,TUV,VEET,CB
Color of housing	Blue+white(customized)



K5 LED Linear High Bay Light

SEVEN - YEAR
7
WARRANTY

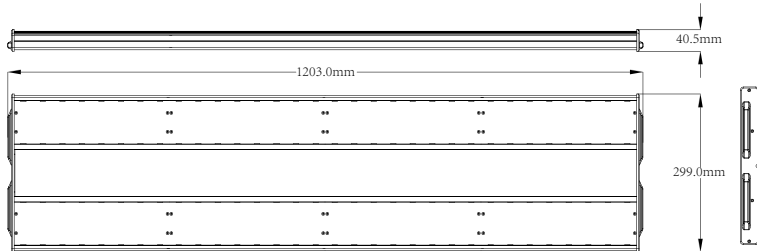


400/500W SPECIFICATIONS

Technical Data

Model Number	HB400/500W-K5
Power	400/500W
Luminous Efficacy	152lm/W
Lumen Output	60800lm/76000lm
LED Quantity	672pcs
Dimension	1203*299*40.5mm
CCT	3000K 4000K 5000K 6000K (Custom Option)
CRI	>80Ra
System Efficiency	≥90%
Beam angle	60°/90°/120°

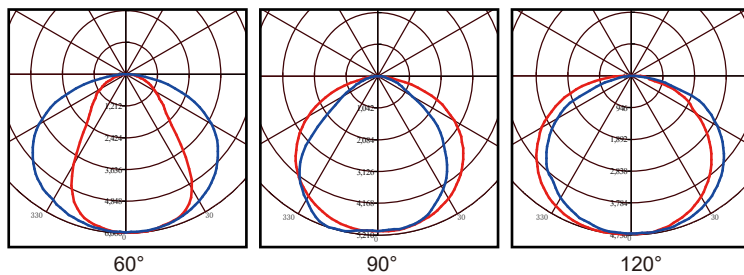
Product Dimensions



Electrical Details

Input Voltage	AC100-277V/347V/480V
Power Frequency	50-60Hz
Output Voltage	DC36-48V
Power Efficiency	>92%
Power Factor	≥0.95
Total Harmonic Distortion	≤15%
Dimmable	Yes (Optional)

Photometrics



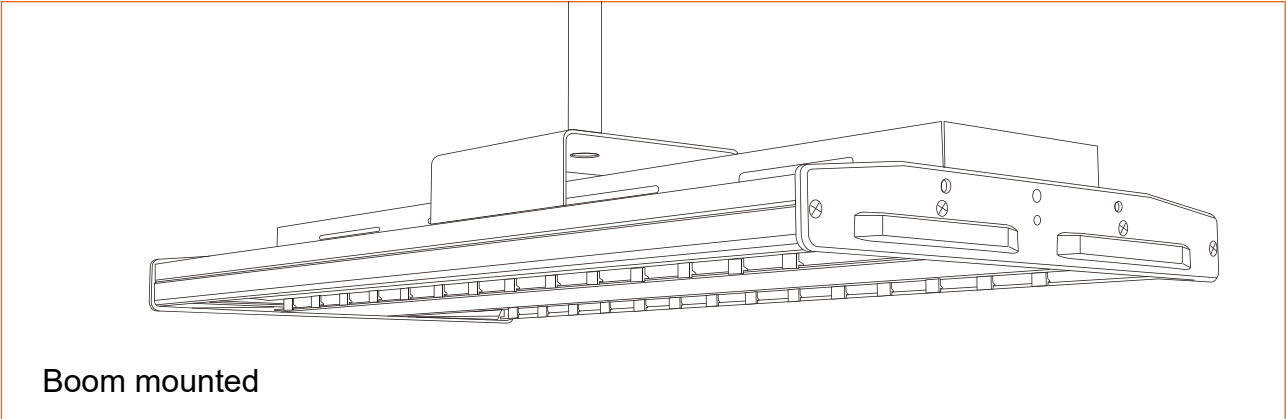
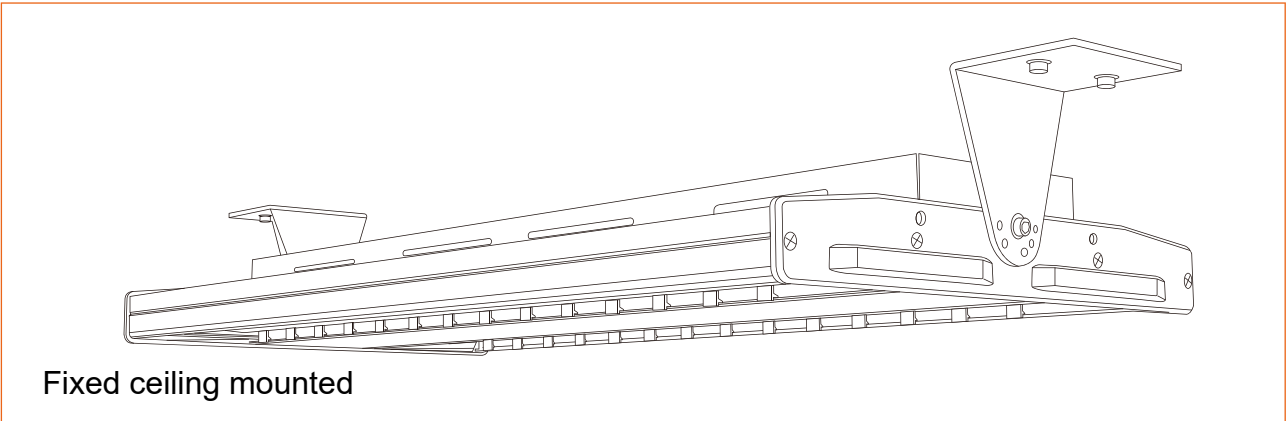
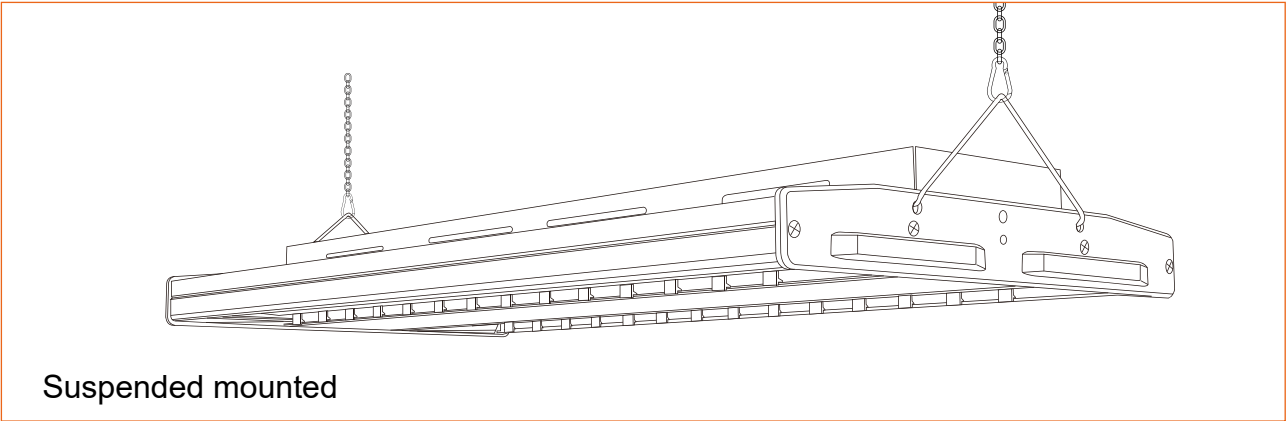
Other Details

IP Rating	IP54
Lifespan	100,000+ Hours
Storage Temperature	-20°~65°C
Operating Temperature	-20°~55°C
Luminaire Net Weight	10.2/10.5KG
Certification	UL,DLC Premium,SAA,TUV,VEET,CB
Color of housing	Blue+white(customized)



K5 LED Linear High Bay Light

Installation



K5 LED Linear High Bay Light

Application



Widely use in Factory, Workshop, Warehouse, Logistics Center, Exhibition Hall, Stadium, Gas Station, Supermarket and etc.

K5 LED Linear High Bay Light

Packing Info

Model No.	N.G(KG)	G.W (KG)	Pcs/carton	Carton Size(CM)
HB100W-K5	2.9	6.6	2	41*37*27
HB150W-K5	3.2	7	2	41*37*27
HB200W-K5	4.65	11.1	2	70*38*26
HB250W-K5	4.95	11.5	2	70*38*26
HB300W-K5	8.2	17.9	2	101*38*27
HB400W-K5	10.2	22.1	2	129*38*26
HB500W-K5	10.5	23	2	129*38*26