







Better solutions for Led Flood Light

-  **IP66 water-proof**
 -  **AC100-277V 50/60Hz**
 -  **Easy Installation**
 -  **120Lm/W
150Lm/W**
- Operating Temp.:** -40°C ~ +50°C **Storage Temp.:** -40°C ~ +80°C



Options

Power	Color	Beam Angle
INVENTRONICS DRIVER	3000K	10°
	4000K	15°
	5000K	30°
	5700K	60°
		90°
		T2(117°*34°)

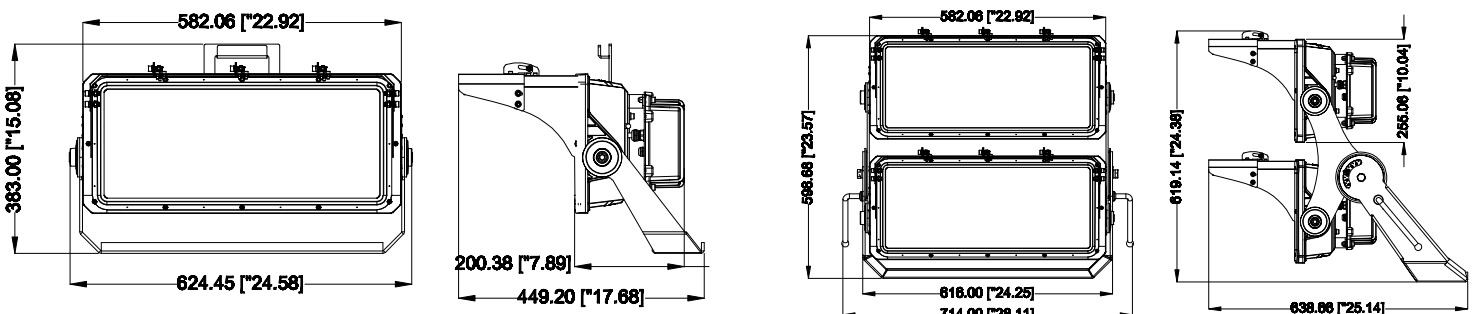
Application

Sports Lighting, Stadium lighting, Sports fields, Car parks, High mast installations
 Dock, railway and container yards, Ports and other large scale outdoor applications,
 Architectural lighting, Landscape lighting, Industrial and commercial exterior lighting
 Decorative lighting for holidays, trade shows, exhibitions.

Specifications

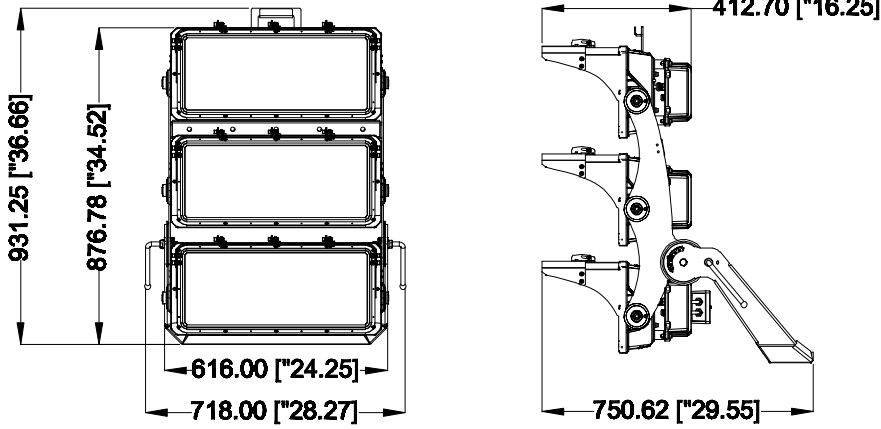
Item	Power	Luminous Efficacy	Leds	CRI	Weight	Beam Angle
CIP-FL400W-07-G8	400W	120Lm/W 150Lm/W	SAMSUNG 3535 SMD 5050	>70	17.0kg(37.5lbs)	10°/15° 30°/60°/90°/T2
CIP-FL500W-07-G8	500W	120Lm/W 150Lm/W	SAMSUNG 3535 SMD 5050	>70	17.0kg(37.5lbs)	10°/15° 30°/60°/90°/T2
CIP-FL600W-07-G8	600W	120Lm/W 150Lm/W	SAMSUNG 3535 SMD 5050	>70	19.5kg(43.0lbs)	15° 30°/60°/90°/T2
CIP-FL800W-07-G8	800W	120Lm/W 150Lm/W	SAMSUNG 3535 SMD 5050	>70	32.5kg(71.7lbs)	10°/15° 30°/60°/90°/T2
CIP-FL1000W-07-G8	1000W	120Lm/W 150Lm/W	SAMSUNG 3535 SMD 5050	>70	32.5kg(71.7lbs)	10°/15° 30°/60°/90°/T2
CIP-FL1200W-07-G8	1200W	120Lm/W 150Lm/W	SAMSUNG 3535 SMD 5050	>70	36.5kg(80.5lbs)	15° 30°/60°/90°/T2
CIP-FL1500W-07-G8	1500W	120Lm/W 150Lm/W	SAMSUNG 3535 SMD 5050	>70	46.5kg(103lbs)	10°/15° 30°/60°/90°/T2
CIP-FL1800W-07-G8	1800W	120Lm/W 150Lm/W	SAMSUNG 3535 SMD 5050	>70	54.0kg(119lbs)	15° 30°/60°/90°/T2

Dimensions(mm)



400W/500W/600W

800W/1000W/1200W



1500W/1800W

Model Options



400W/500W/600W

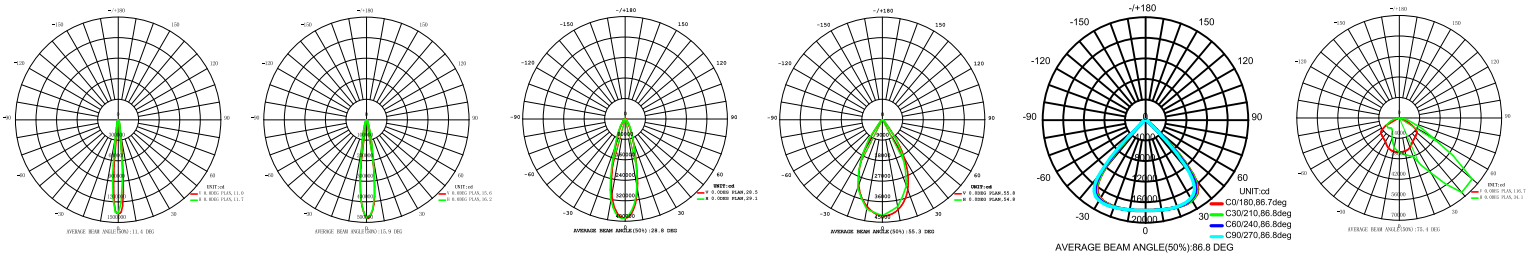


800W/1000W/1200W



1500W/1800W

Photometry



10°

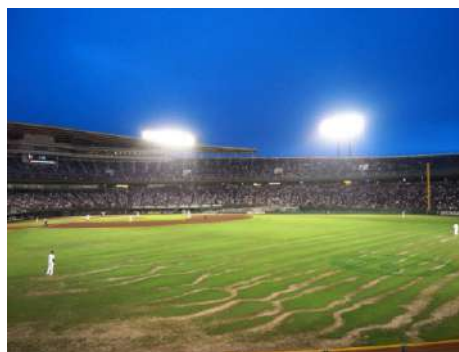
15°

30°

60°


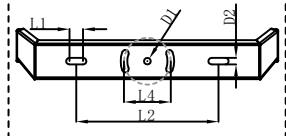
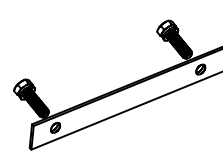
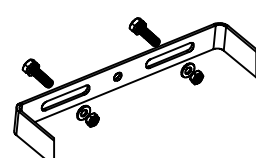
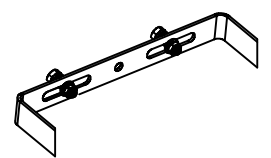
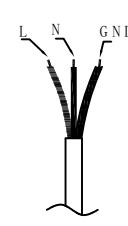
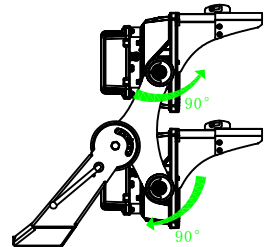
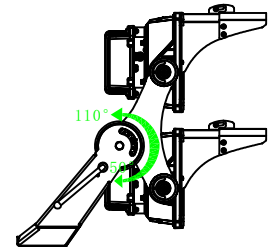
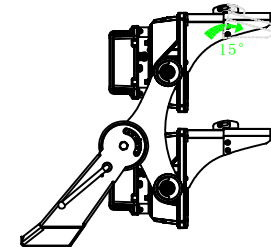
90°

T2(117*34°)



Installation and use

P1 U-Shaped Bracket

<p>01</p>  <p>M 16x15mm</p>	<p>02</p>  <table border="1" style="font-size: small;"> <thead> <tr> <th>Power</th> <th>D1</th> <th>D2</th> <th>L1</th> <th>L2</th> <th>L4</th> </tr> </thead> <tbody> <tr> <td>800W</td> <td>17mm</td> <td>12.5mm</td> <td>50mm</td> <td>350mm</td> <td>120mm</td> </tr> <tr> <td>1200W</td> <td>17mm</td> <td>17mm</td> <td>50mm</td> <td>350mm</td> <td>120mm</td> </tr> <tr> <td>1800W</td> <td>17mm</td> <td>17mm</td> <td>50mm</td> <td>350mm</td> <td>120mm</td> </tr> </tbody> </table>	Power	D1	D2	L1	L2	L4	800W	17mm	12.5mm	50mm	350mm	120mm	1200W	17mm	17mm	50mm	350mm	120mm	1800W	17mm	17mm	50mm	350mm	120mm	<p>03</p> 	<p>04</p> 	<p>05</p> 
Power	D1	D2	L1	L2	L4																							
800W	17mm	12.5mm	50mm	350mm	120mm																							
1200W	17mm	17mm	50mm	350mm	120mm																							
1800W	17mm	17mm	50mm	350mm	120mm																							
<p>Brown(Black) --- L Blue(White) --- N Green/Yellow --- GND</p> 	 <p>90°</p>	 <p>110°</p>	 <p>15°</p>																									

Packing Spec

Item	Box			Carton		
	Measurement(mm)	Gross weight	Pcs/box	Measurement(mm)	Gross weight	Pcs/box
CIP-FL400W/500W/600W-07-G8	L685*W490*H265	20.5kg(45.2lbs)	1	/	/	/
CIP-FL800W/1000W/1200W-07-G8	L935*W715*H320	38.0kg(83.8lbs)	1	/	/	/
CIP-FL1500W/1800W-07-G8	L1190*W725*H365	56.0kg(123lbs)	1	/	/	/