

DLC 5.1 Premium UFO High Bay - HB03 Series

RZ UFO High Bay Light (HB03 series) is widely used in the warehouses, gymnasiums and production assembly areas.



Lower UGR<27
High Efficacy to 150LM/W
UL/cUL, DLC 5.1 Premium Listed
120-277VAC/120-347VAC available



DATA SHEET LED UFO HIGH BAY LIGHT

PRODUCT APPEARANCE



PRODUCT SPECIFICATION

Product No.	HB03-100W-X-YY	HB03-150W-X-YY	HB03-200W-X-YY	HB03-240W-X-YY
Wattage	100W	150W	200W	240W
Lumens	15000lm	22500lm	30000lm	36000lm
LED QTY	320PCS	456PCS	624PCS	780PCS
Replaces PSMH	250W	320W	420W	500W

Efficacy 150LM/W (±10%)
 Input voltage 120-277VAC/120-347VAC
 CCT 2700-6500K
 THD <20%
 LED Type 2835
 Beam Angle 90° for all wattages,
 120° for 150W 200W 240W
 IP Rating IP65
 Power Factor ≥0.95
 IK Degree IK10
 Certificates UL/cUL, DLC 5.1 Premium

Frequency 50/60Hz
 Lens Material UV Stabilized Polycarbonate
 Housing Die-cast Aluminum
 CRI Ra>70
 Finish Black/Grey/White/ Customized (Optional)
 Additional function Plug-in Sharkward / Haisen Microwave Motion Sensor
 Life Time >50,000Hrs (Ta=30°C@L80)
 Warranty 5 Years

DATA SHEET

LED UFO HIGH BAY LIGHT

ELECTRICAL SPECIFICATION

120-277VAC

Driver Brand
Operating Temperature
Surge Protection
Dimmable

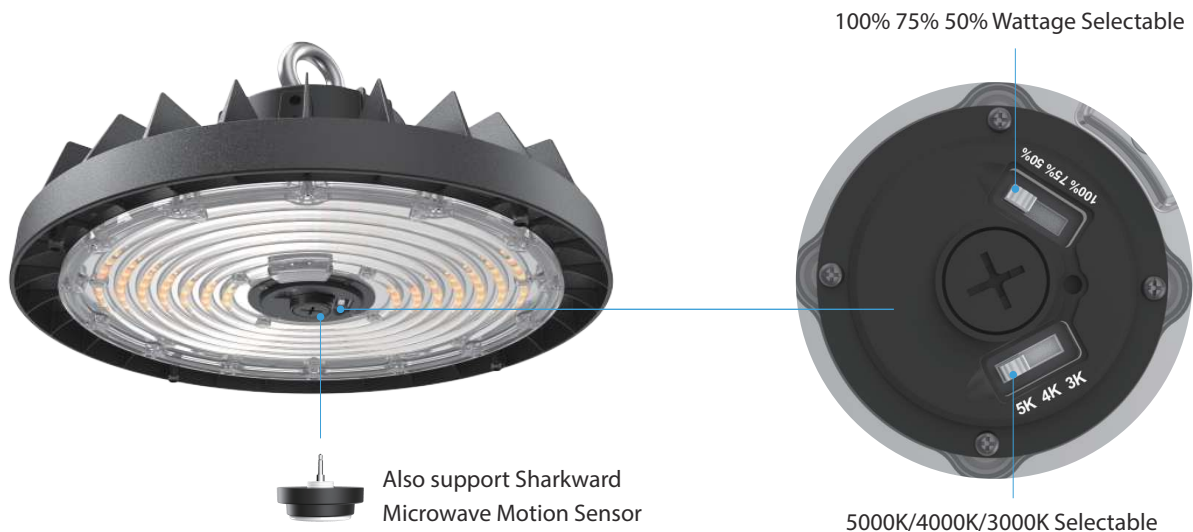
ZhiHe
-22°F to 113°F (-30°C to + 45°C)
4KV
0-10V

120-347VAC

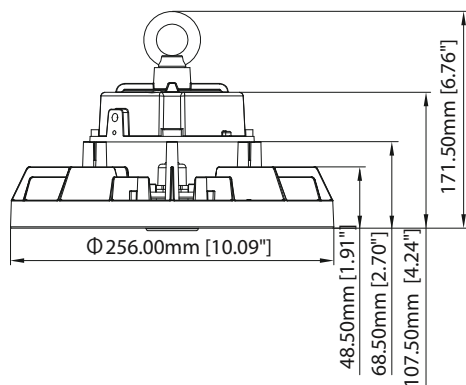
Driver Brand
Operating Temperature
Surge Protection
Dimmable

Sosen
-22°F to 113°F (-30°C to +45°C)
4KV
0-10V

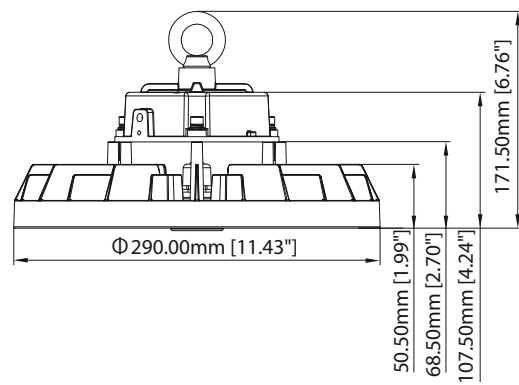
3 CCT&Watts Selectable Function



PRODUCT DIMENSION



100W



150W

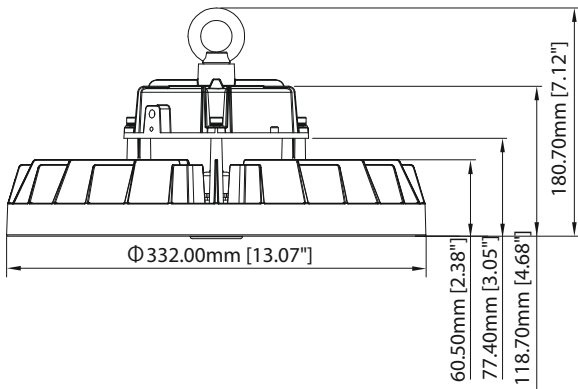


(803) 766-0243 | info@ciplighting.com

572 John Ross Pkwy, Ste 107, PMB 29,
Rock Hill, SC 29730

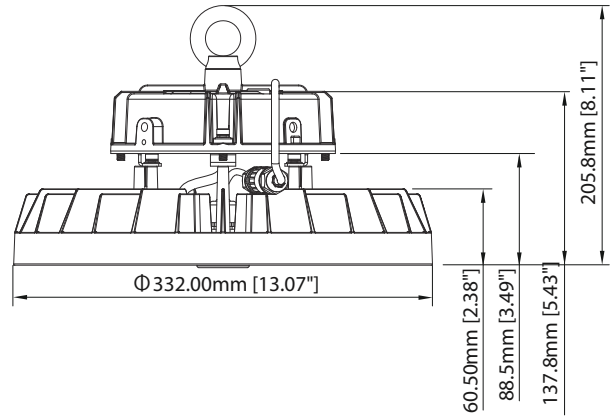
DATA SHEET

LED UFO HIGH BAY LIGHT



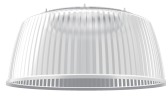
200W

240W(120-277Vac)



240W(120-347Vac)

ADDITION ACCESSORIES



PC Reflector



Aluminum Reflector



Safe Rope



Emergency Driver



Sharkward Plug-in
Microwave Motion Sensor



Sharkward Screw-in Zhaga
Microwave Motion Sensor



Haisen Screw-in Zhaga
Microwave Motion Sensor

MOUNTING OPTION



Ceiling with loop



Ceiling with hook



Wall mounting



Pendant mounting

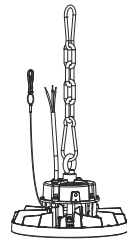
PACKING INFO

Model No.	Product Dimension (mm&inch)	Carton Size (mm&inch)	Net Weight (KG)	Gross Weight (KG)	20GP	40GP	40HQ
HB03-100W-X-YY	Ø256X171.5 (Ø10.09"X6.76")	290x290x162 (11.42X11.42X6.38)	2.0	2.54	1495	3212	3655
HB03-150W-X-YY	Ø290X171.5 (Ø11.43"X6.76")	320x320x162 (12.6X12.6X6.38)	2.33	2.93	1231	2645	3010
HB03-200W-X-YY	Ø332X180.7 (Ø13.07"X7.12")	360x360x170 (14.17X14.17X6.7)	3.19	4.07	937	2013	2291
HB03-240W-X-YY (120-277VAC)	Ø332X180.7 (Ø13.07"X7.12")	360x360x170 (14.17X14.17X6.7)	3.19	4.07	937	2013	2291
HB03-240W-X-YY (120-347VAC)	Ø332X205.8 (Ø13.07"X8.11")	360x360x192 (14.17X14.17X7.56)	3.69	4.57	843	1812	2062

INSTALLATION INSTRUCTION

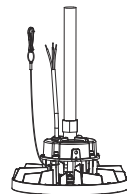
Ceiling with Loop

1. Fix the luminaire with a chain to the ceiling;
2. Use the buckles to fix safety rope with the body and loop;
3. Connect the wires.



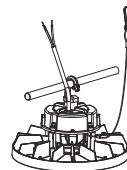
Pendant Mounting

1. Fix the luminaire with bar and tighten the pole with an anti-skid screw;
2. Use the buckles to fix the safety rope with the lampbody and ceiling;
3. Connect the wires.



Ceiling with Hook

1. Unscrew the hook, fix the luminaire to the installation holders and screw the hook tightly;
2. Use the buckles to fix the safety rope with the body and hook;
3. Connect the wires.



Wall Mounting

1. Trepan the installation holes as the size of the following figure;
2. Use M 10 screws to tighten the luminaire. The holder can be adjusted from 60D to 120D;
3. Use the buckles to fix the safety rope with the body and loop;
4. Connect the wires.

