



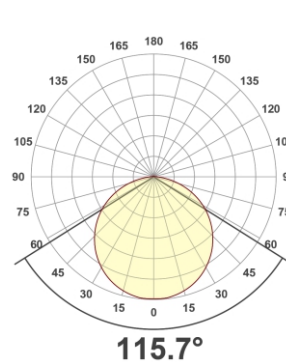
Item No.

CIP-2216-N-P-6x6mm-5w-240-24-W

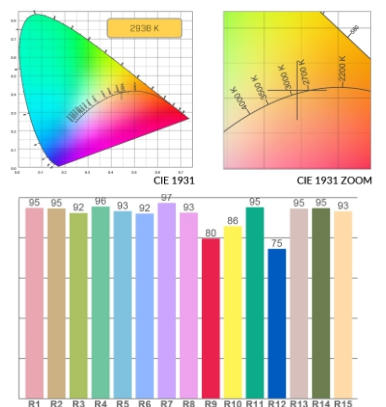
Description

Simply divide into two categories - horizontal & vertical bending. 40mm-300mm bending radius. R/G/B/W/ multiple color and digital colors. Standard 24VDC, 12VDC option. The material of housing and body are made by silicone material which is specially designed used in harsh environment. Various shapes (flat, dome or rounded surfaces) are available in this series, and they are also waterproof (Ip67), ideal for lighting up interior and exterior.

Beam angle



Colour details



CIP-2216NP-6x6mm5W-24024-30K



LIGHT COLOR MODE

Cool White

6000K

Natural White

4000K

Warm White

2100K/2400K/2700K/3000K



Red



Green



Blue



Amber



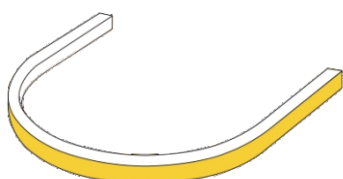
tunable
White



RGB+W



RGB

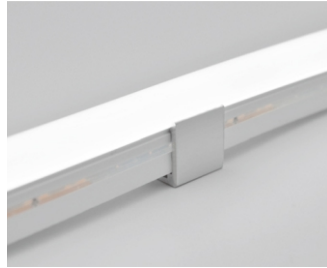


Model:	CIP-2216NP-6x6mm5W-24024-W	Color & Output
Input voltage:	DC24V	<ul style="list-style-type: none"> ● 1700K 235LM/M ● 2200K 325LM/M
Power/m:	5W	<ul style="list-style-type: none"> ● 2400K 330LM/M ● 2600K 337LM/M
LED Type:	SMD2216	<ul style="list-style-type: none"> ● 2800K 345LM/M ● 3200K 348LM/M
LED Qty / meter:	240LEDs	<ul style="list-style-type: none"> ● 3800K 358LM/M ● 4400K 353LM/M ● 5600K 379LM/M
Working Mode:	PWM CV	
Max Length:	CV 5m	
Cut Length:	25mm	

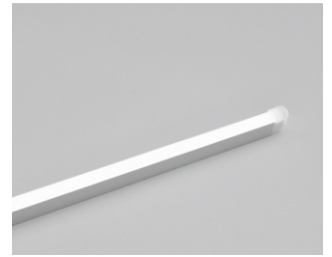
PROFILES (FIXTURES)



Stainless steel mounting clips **-SS**
20x9x8mm



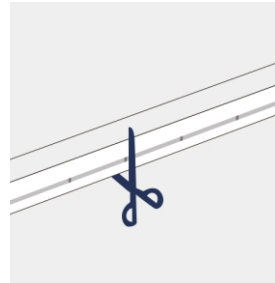
Aluminium Profile **-AL**
1000x9x6mm



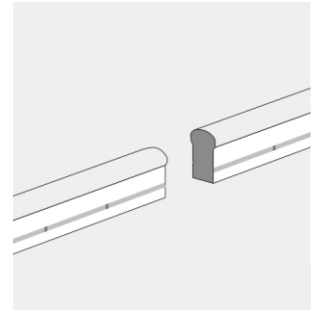
END CAP



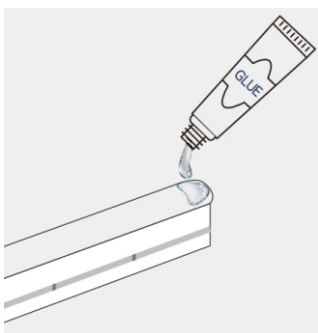
It is feasible to cut along the black point on the side of led strip. Do not cut optionally to avoid damage to led strip..



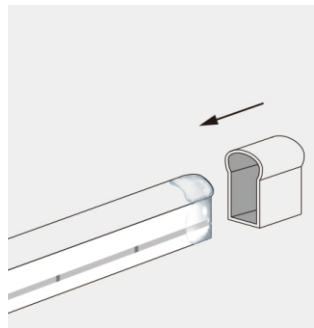
Cut the appropriate place



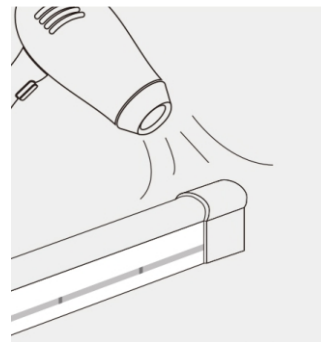
Finished the cutting



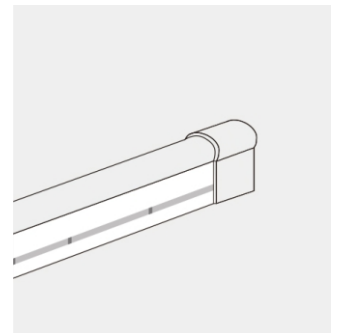
Coat the section with glue uniformly after cutting



Insert the section into the plug according to direction of arrow



Dry the plug with hot wind or natural wind until make sure the installation is firm



The effect of finished plug installation