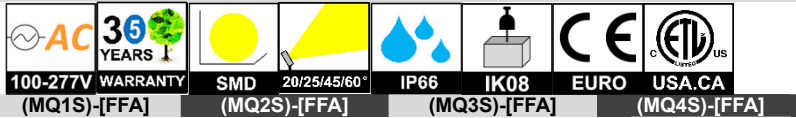


GTE5251B: LED FLOOD LIGHT

INTRODUCTION



FEATURE

Easy Fast Installation and Maintenance Freely
 Excellent Uniform Structure of LED Technology
 Long Lifespan Design > 50,000hours
 Working Temperature: -30°C~50°C

MAIN MATERIAL

LED Brand: GUBO
 Backpack Driver Brand: GUBO & MEANWELL
 Housing: Die-casted Aluminum Housing
 Optics: Module Clear Anti-UV PC Lens

INSTALLATION

Wind-force Test: Typhoon 15Level (50M/S)
 Suitable for Exterior Light, Like Park, Stadium.....
[FFA]: Adjustable Flush Surface Mounted
[FSC]: Slip Fitter Mount Spigot Ø65mm
[FBU]: U-bracket Mount

STANDARD

Designed and Manufactured to Comply with
 CE/RoHS/CB/cETL/SAA/SASO Standard
 Withstand Voltage: 3.75KVAC, Surge: 6KV
 IP66 Protection, Class I Electric

OPTION

LED CCT: 1,800K~10,000K/R/G/B/Y
 [CRI]: [E] RA80, [G] RA90, [H] RA97
 [SPD]: Surge Protector, 20KVA
 [BGS]: Anti-glare Shield
 F1: Custom Housing Finish Colors by RAL Code


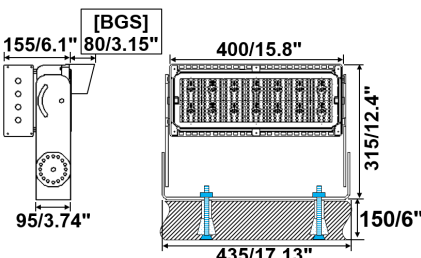

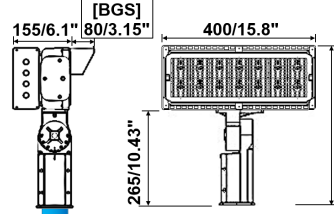

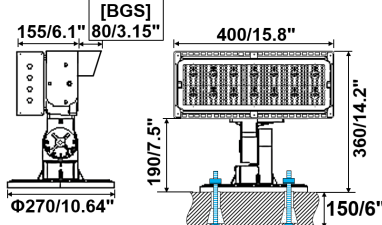

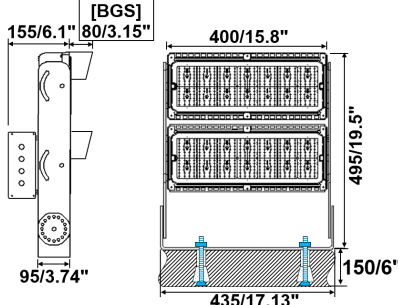

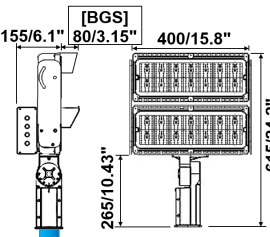

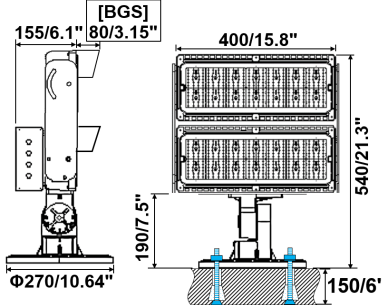

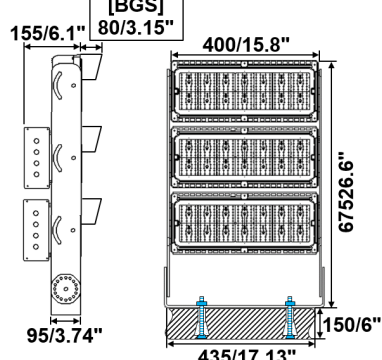

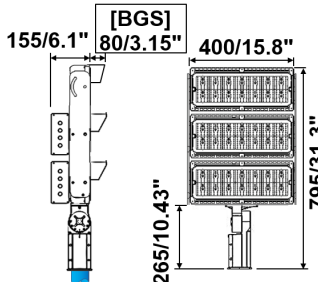

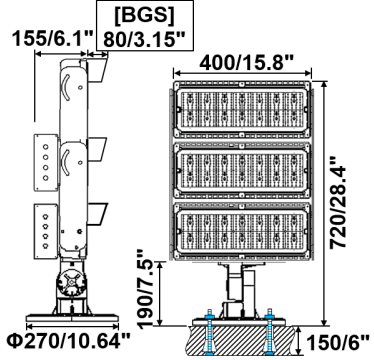
WHITE RAL9010P	BLACK RAL9005P	GREY RAL7042P	DARK GREY RAL7016P
--------------------------	--------------------------	-------------------------	------------------------------


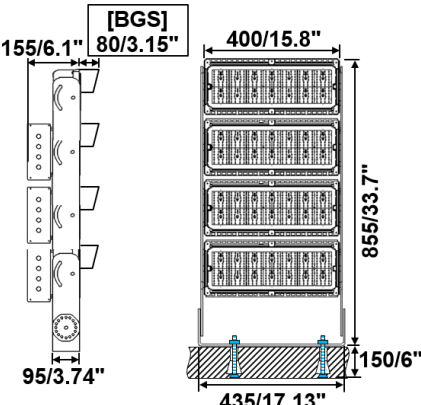

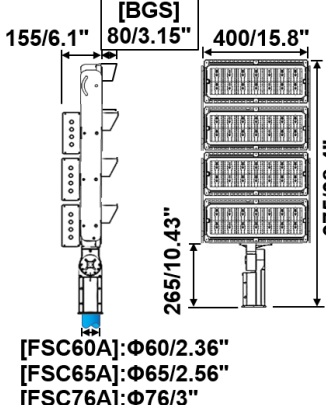


MODEL	POWER [W]	LED TYPE	CCT [K]	CRI	LUMEN [LM]	POWER FACTOR	BEAM ANGLE	OPTIONAL DIMMING	INPUT [V]
GTE5251B-MRA400A-MQ1S	240W	98x6W SMD5050	G2700K	RA90	27020	>0.95			
			G3000K	RA90	28180				
			G3500K	RA90	28180				
			G4000K	RA90	29550				
			G5000K	RA90	29550				
			G6500K	RA90	29550				
	2C@240W	84TWG	G2700K	G6500K	RA90	17010	>0.9		
GTE5251B-MRA400A-MQ2S	480W	2x98x6W SMD5050	G2700K	RA90	54040	>0.95	[Symmetric] BL20D:20° BL25D:25° BL45D:45° BL60D:60°	[CDT]:TRIAC(15%) [CDV]:0/1~10V(8%) [CDV1]:1~10V(10%) [CDX]:DMX512(1%) [CDA]:DALI(1%) [CDP]:PWM(1%)	AC100~277V [AC180~528V] 50/60Hz
			G3000K	RA90	56400				
			G3500K	RA90	56400				
			G4000K	RA90	59100				
			G5000K	RA90	59100				
			G6500K	RA90	59100				
	2C@480W	2x84TWG	G2700K	G6500K	RA90	34020	>0.9		
GTE5251B-MRA400A-MQ3S	720W	3x98x6W SMD5050	G2700K	RA90	81060	>0.95			
			G3000K	RA90	84560				
			G3500K	RA90	84560				
			G4000K	RA90	88650				
			G5000K	RA90	88650				
			G6500K	RA90	88650				
	2C@720W	3x84TWG	G2700K	G6500K	RA90	51030	>0.9		
GTE5251B-MRA400A-MQ4S	960W	4x98x6W SMD5050	G2700K	RA90	108080	>0.95			
			G3000K	RA90	112750				
			G3500K	RA90	112750				
			G4000K	RA90	118190				
			G5000K	RA90	118190				
			G6500K	RA90	118190				
	2C@960W	4x84TWG	G2700K	G6500K	RA90	68040	>0.9		

NOTE:

All parameters are measured at 25°C ambient temperature, 35% humidity experimental environment.
 Tolerances of power and luminous flux are ±10%, tolerance of color rendering index is ±5.

LED Flood Light		DIMENSION:[UNIT: MM]
NOTES: Custom Installation and Accessories Referred to Another Catalogue of Fixing Kits.		
<p>(MRA400A-MQ1S)-[FBU]-[FNE] U-bracket Fixture</p>  	<p>(MRA400A-MQ1S)-[FSC]-[FNE] Slip Fitter</p>   <p>[FSC60A]:Φ60/2.36" [FSC65A]:Φ65/2.56" [FSC76A]:Φ76/3"</p>	<p>(MRA400A-MQ1S)-[FFA]-[FNE] Adjustable Fixing Base</p>  
<p>(MRA400A-MQ2S)-[FBU]-[FNE] U-bracket Fixture</p>  	<p>(MRA400A-MQ2S)-[FSC]-[FNE] Slip Fitter</p>   <p>[FSC60A]:Φ60/2.36" [FSC65A]:Φ65/2.56" [FSC76A]:Φ76/3"</p>	<p>(MRA400A-MQ2S)-[FFA]-[FNE] Adjustable Fixing Base</p>  
<p>(MRA400A-MQ3S)-[FBU]-[FNE] U-bracket Fixture</p>  	<p>(MRA400A-MQ3S)-[FSC]-[FNE] Slip Fitter</p>   <p>[FSC60A]:Φ60/2.36" [FSC65A]:Φ65/2.56" [FSC76A]:Φ76/3"</p>	<p>(MRA400A-MQ3S)-[FFA]-[FNE] Adjustable Fixing Base</p>  

LED Flood Light		DIMENSION:[UNIT: MM]
<p>NOTES: Custom Installation and Accessories Referred to Another Catalogue of Fixing Kits.</p>		
<p>(MRA400A-MQ4S)-[FBU]-[FNE] U-bracket Fixture</p>  	<p>(MRA400A-MQ4S)-[FSC]-[FNE] Slip Fitter</p>  	<p>(MRA400A-MQ4S)-[FFA]-[FNE] Adjustable Fixing Base</p> 