

PROJECT \_\_\_\_\_  
FIXTURE TYPE \_\_\_\_\_

PRODUCT SPECIFICATIONS SHEET

**CIP CS-7 series Parking Garage, Catenary, Canopy & Lowbay**

**CIP** LIGHTING  
info@ciplighting.com  
+1 803 766 0243

**CIP CS-7 series**

**LED Parking Garage, Catenary, Canopy and Lowbay Luminaire**

- Design Freedom
- Optical Control
- Energy Efficiency
- Mainstream Value



## Unparalleled Performance and Comfort

**CIP CS-7 series LED Parking Garage and Canopy Luminaire** is an innovative solution that delivers an unparalleled combination of performance and visual comfort. The optical Waveguide Acrylic Panel and a high degree diffusion PC lens disrupts the line of sight of the LED light sources from the observer, while extracting the maximum amount of light on task. This approach results in a high level of uniformity and vertical footcandles which enhances the level of safety in the application



## Long Life and Low Maintenance Cost

In addition to delivering superior performance, the CIP CS-7 LED Parking Garage and Canopy Luminaire is designed for low maintenance, long life and low cost of ownership. These are key benefits which provide compelling justification to retrofit traditional HID solutions, or allow end users to capitalize on these advantages in new construction applications. The CIP CS-7 luminaire can be tailored to meet your most important needs without compromising on specification features. The fixture housing is IP66 rated, which provides years of reliable operation with minimal service requirements. Housing is designed with integral LED heat sink utilized for thermal transfer to ensure long life service.



## A New Idea for Lowbay lighting means Anti-glare and Visual Comfort

CIP CS-7 series is a groundbreaking creation that delivers unparalleled design freedom, maximum energy efficiency and unrivaled optical and brightness control. Exceptional performance and uniformity with diffuse lens configurations offers a high degree of comfort by limiting glare and brightness. All housing components are constructed with die-cast aluminum for superior durability with integrated heat dissipation system. One piece silicone gaskets enable an IP66 rated protection to the luminaire and assure optical integrity over time. Outputs range from 3,000 lm to 11,500 lm, CIP CS-7 series provides a unique, scalable lighting solution targeted for 2.5m(8ft) to 6.0m (20ft) mounting heights, as well freely opening for easier maintenance benefits.



Universal functionality, energy-efficient optical control, easy installation and a low-profile design prove that the CIP CS-7 series LED Parking Garage and Canopy Luminaire is the best choice for parking garage, stairwell, low-bay and canopy illumination



# PRODUCT SPECIFICATION SHEET

CIP CS-7 series Parking Garage, Catenary, Canopy & Lowbay / Patented

## Features

- High visual comfort
- High performance optics and uniform light distribution
- Anti-glare UGR<19
- Parking Garage, Catenary, Canopy and Low bay application
- Self-cleaning and Tool-less opening
- Replaceable driver unit and control gear
- 0-10V & 1-10V dimmable and DALI Control gear
- Microwave Motion Sensor Control on/off, and Tri-level dimming & 3-step dimming
- Common mode surge protection 6KV and Customized achievable up to 10KA and 20KA for option

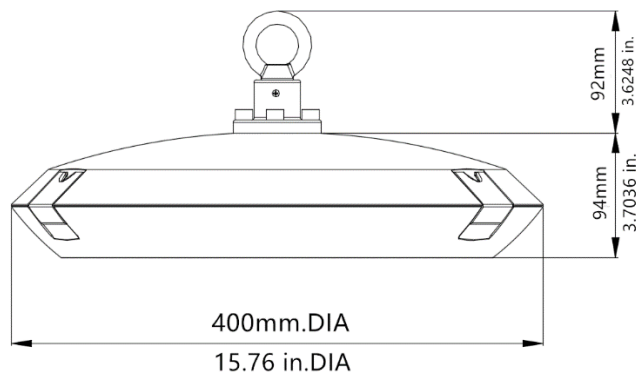
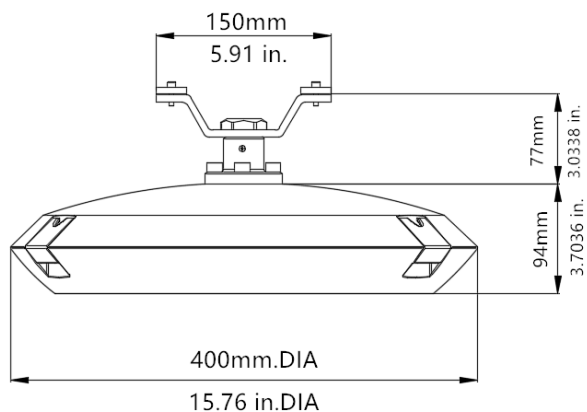
## Benefits

- Anti-glare and Visual Comfort
- Wide range of applications
- Lower energy consumption by up to 80%
- Easy installation and maintenance
- Future-proof
- Smart control

## Applications

Parking lot, Supermarkets, Large Stores, Commercial buildings, Pathways, Sports area etc.,

## Dimension drawings



## Construction & Housing

Low profile die-cast aluminum housing designed with internal integrated cooling fins for thermal management. Formed aluminum top is sloped to prevent bird nesting and designed to be self-cleaning. Metal electrical tray allows easy access for field servicing. Molded silicone gasket throughout insures IP66 rated against the ingress of dust and water.

## Finish

Housing finished in super durable AKZO powder coatings paint with 2.5 mil nominal thickness for superior protection against fade and wear to withstand extended outdoor exposure, providing excellent resistance to corrosion, ultraviolet degradation and abrasion. Available colors include Dark Bronze, Black and Light grey. RAL and custom color matches available.

## Optics

Unique optical distributions are accomplished using various combinations of reflective backing plates and LED Side lighting design. The optical Waveguide is manufactured using precision injection molded acrylic. The optics contain features that form a repeatable and redundant pattern to direct light in a precisely prescribed distribution.

Utilize a high-degree diffusion outdoor PC lens for superior protection against fade, ultraviolet degradation and abrasion to withstand extended outdoor exposure for long time application

For additional glare control and visual comfort with the Wide distribution, specify the option which adds a Special diffusion lens that works in combination with the Waveguide lens and reflective backing plate to reduce high angle lumens.

## Light Performance

- High Visual comfortable and Glare Free UGR<19
- High performance optics and uniform light distribution SDCM<3
- Luminaire output efficacy up to 125 LPW. Minimum CRI 70 offered as standard. 80&90 CRI offered as customized
- CCT 2700-3000K, 3700-4000K, 4700-5000K, 5400-5700K offered as standard
- BUG Rating: B2-U0-G1

## Electrical

- LED driver & electric parts are directly mounted to upper housing thermal pad for optimal thermal performance
- Input voltage 100-277Vac 50/60Hz, and 347-480Vac 60Hz only for 61.5W version
- PF>0.92 at full load. THD<10% at full load.
- Integral 6KV surge protection offered as standard (DALI version 10KV). 10KA 20KA SPD offered as customized
- Open circuit fault will turn off the luminaire to protect the sensitive electronics and as a signal for maintenance
- Replaceable driver unit and control gear
- Powered off automatically when opening the fixture

## Dimming and Controls

- 0-10V & 1-10V dimmable, dimming range from 10% to 100% through the use of the standard 0-10V interface
- DALI Control gear dim-to-off
- Integrated Microwave Motion sensor--on/off
- Detached dimming and occupancy Microwave Motion sensor--tri-level dimming
- Dimming Occupancy Sensor PIR, contact manufacturer for availability

## Installations and Maintenance

- Suggested installation height 2.5m(8ft) to 6.0m(20ft)
- Tool-less opening and Easy maintenance
- All external screws are in AISI 304 stainless steel. Screw connection block or as option an external IP connector
- 0.3m outlet Input cable offered as standard and customized cable length is acceptable
- Body designed to prevent fitting from wate, dust, and bird droppings etc.,
- Self-cleaning

## Ratings

- IP66 Rated
- IK10 Rated
- CE-EMC CE-LVD SAA C-tick IEC ETL and DLC Listed
- Complies with the materials of RoHS
- Operating temperature rated at -40C° to 45C°

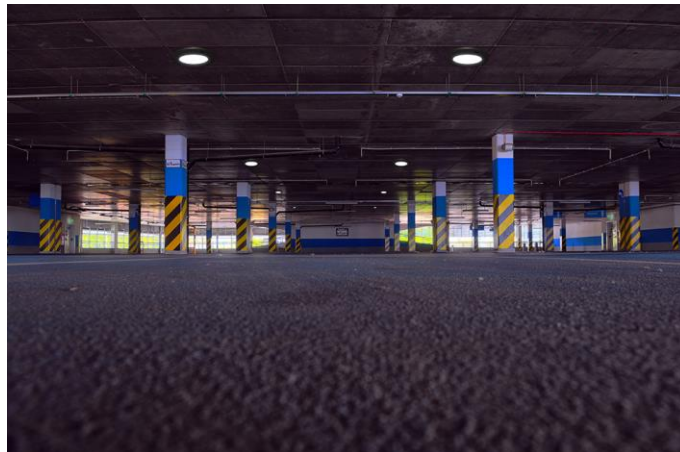
## Lumens maintenance and Warranty

- Projected L90B10>50,000 hours at Ta=25C°
- Projected LED failure rate  $0.1\% \leq 50,000$  hours
- Projected Driver failure rate  $\leq 0.1\%$  per 10,000 hours
- 5 Years warranty and 7 Years warranty is availability as customized requests

## CAUTION

Fixtures must be grounded in accordance with national, state and/or local electrical codes. Failure to do so may result in serious personal injury

**Application**



**Lighting review**



**MBDS**



**MBDP**



**Pricing details**

**Product name: CIP: CS-7 series Parking Garage, Catenary, Canopy and Low bay. MBDS and MBDP "DS" means Catenary and Canopy; "DP" means Low bay**

Series No.: CIP-EW-S101MBDS(MBDP)-Axxx. **"A" means Non-dimmable;** "xxx" means wattage

Model No.	Input wattage	LPW	Certification			
CIP-EW-S101MBDS (MBDP)-A025	24.0W	120-125	CE IEC SAA C-tick ETL			
CIP-EW-S101MBDS (MBDP)-A035	35.0W	120-125	CE IEC SAA C-tick ETL <b>DLC</b>			
CIP-EW-S101MBDS (MBDP)-A060	58.0W	120-125	CE IEC SAA C-tick ETL <b>DLC</b>			

Notes 1: DLC for Model 24.0W will be available soon

Series No.: CIP-EW-S101MBDS(MBDP)-Bxxx. **"B" means 1-10V & 0-10V dimmable;** "xxx" means wattage

Model No.	Input wattage	LPW	Certification			
CIP-EW-S101MBDS (MBDP)-B025	24.0W	120-125	CE IEC SAA C-tick ETL			
CIP-EW-S101MBDS (MBDP)-B035	35.0W	120-125	CE IEC SAA C-tick ETL <b>DLC</b>			
CIP-EW-S101MBDS (MBDP)-B060	58.0W	120-125	CE IEC SAA C-tick ETL <b>DLC</b>			

Notes 1: DLC for Model 24.0W will be available soon

Notes 2: 1-10V & 0-10V can NOT be dim-to-off

**Series No. CIP-EW-S101mbds(mbdp) -Cxxx "C" means Timer dimmable with 3 timer modes; "xx" means wattage**

Model No.	Input wattage	LPW	Certification			
CIP-EW-S101MBDS (MBDP)-C030	27.0W	120-125	CE IEC SAA C-tick			
CIP-EW-S101MBDS (MBDP)-C040	38.5W	120-125	CE IEC SAA C-tick			
CIP-EW-S101MBDS (MBDP)-C060	61.5W	120-125	CE IEC SAA C-tick			

PRODUCT SPECIFICATION SHEET



CIP CS-7 series Parking Garage, Catenary, Canopy & Lowbay / Patented

- Notes 1: Dim-to-off
- Notes 2: Surge protection 10kV
- Notes 3: Suitable for Insulation Class II luminaire
- Notes 4: Complies with Zhaga Interface Specification Book 13
- Notes 5: 220-240Vac Input only
- Notes 6: MOQ 50pcs

Διατάξεις φωτισμού με φωτιστήρες με φωτιστικό σώμα

“D” means DALI control North American standard 100-277V; “xxx” means wattage

Model No.	Input wattage	LPW	Certification			
CIP-EW-S101MBDS (MBDP)-D030	27.0W	120-125	ETL			
CIP-EW-S101MBDS (MBDP)-D040	38.5W	120-125	ETL			
CIP-EW-S101MBDS (MBDP)-D060	61.5W	120-125	ETL			

- Notes 1: Philips Advance Xitanium SimpleSet Wireless Full Programmable driver DALI dimming
- Notes 2: DLC will be available soon
- Notes 3: MOQ: 100pcs

Series No.: CIP-EW-S101MBDS(MBDP)-Exxx. “E” means 347-480Vac Input 0-10V dim 60W only; “xxx” means wattage

Model No.	Input wattage	LPW	Certification			
CIP-EW-S101MBDS (MBDP)-E060	61.5W	120-125	ETL			

- Notes 1: DLC will be available soon
- Notes 2: Philips Advance Xitanium driver
- Notes 3: MOQ: 100pcs

CIP CS-7 series Parking Garage, Catenary, Canopy & Lowbay / Patented

Series No.: CIP-EW-S101MBDS(MBDP)-Fxxx.

**“F” means Microwave motion sensor on/off function European standard; “xxx” means wattage**

Model No.	Input wattage	LPW	Certification			
CIP-EW-S101MBDS (MBDP)-F025	24.0W	120-125	CE IEC SAA C-tick			
CIP-EW-S101MBDS (MBDP)-F035	35.0W	120-125	CE IEC SAA C-tick			
CIP-EW-S101MBDS (MBDP)-F060	58.0W	120-125	CE IEC SAA C-tick			

Notes 1: Sensor and control device are built in the luminaire

Notes 2: Max mounting height 8m. >8m height installation contact manufacturer for availability

Series No.: CIP-EW-S101MBDS(MBDP)-Gxxx.

**“G” means Microwave motion sensor on/off function North American standard; “xxx” means wattage**

Model No.	Input wattage	LPW	Certification			
CIP-EW-S101MBDS (MBDP)-G025	24.0W	120-125	ETL			
CIP-EW-S101MBDS (MBDP)-G035	35.0W	120-125	ETL <b>DLC</b>			
CIP-EW-S101MBDS (MBDP)-G060	58.0W	120-125	ETL <b>DLC</b>			

Notes 1: Sensor and control device are built in the luminaire

Notes 2: Max mounting height 8m. >8m height installation contact manufacturer for availability

Attention: Price of MBDP (Low bay) version is USD\$3.0 less than above pricing

Series No.: CIP-EW- S101MBDS(MBDP)-Hxxx.

**“H” means Microwave motion sensor with tri-level dimming; “xxx” means**

Model No.	Input wattage	LPW	Certification			
CIP-EW-S101MBDS (MBDP)-H025	24.0W	120-125	CE IEC SAA C-tick ETL			
CIP-EW-S101MBDS (MBDP)-H035	35.0W	120-125	CE IEC SAA C-tick ETL <b>DLC</b>			USD\$4.5
CIP-EW-S101MBDS (MBDP)-H060	58.0W	120-125	CE IEC SAA C-tick ETL <b>DLC</b>			

## PRODUCT SPECIFICATION SHEET

CIP CS-7 series Parking Garage, Catenary, Canopy & Lowbay / Patented

---



Notes 1: Tri-level diming control based upon occupancy (also known as corridor function)

Notes 2: 24-hour daylight monitoring dawn / dusk sensor

Notes 3: Sensor and control device are built in the luminaire

Notes 4: Max mounting height 8m. >8m height installation contact manufacturer for availability.

### Notes

1. Customized color & RAL is available with MOQ 100pcs
2. 10KA Surge protection Extra USD\$4.5. 20KA Surge protection Extra USD\$6.0
3. Minimum CRI80 and Minimum CRI90 available upon request with MOQ 50pcs
4. IP67 connector for wiring if needed Extra USD\$1.5 per unit
5. Customized input cable length available
6. Package or Logistic data please refer to our Product Specification sheet or contact our sales team