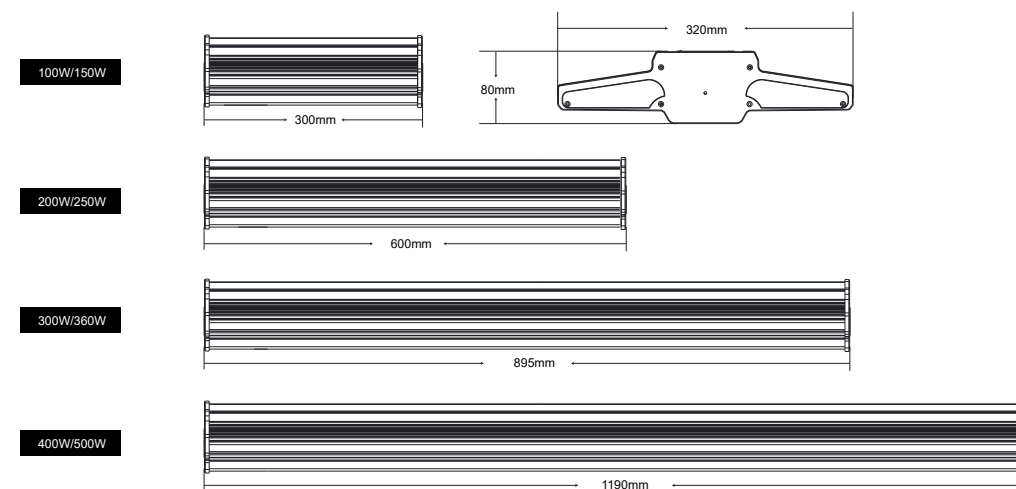


K2 LED Linear High Bay Light

Features

- Unique design with aviation aluminum material
- Three-dimensional diamond light guide technology
- Beam angle 60° /90° /120° with transparent / frosted PC lens available
- Endless Connection
- Colorful housing can be customized

Product specifications



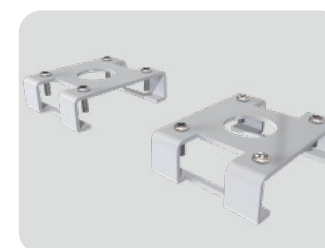
Certifications



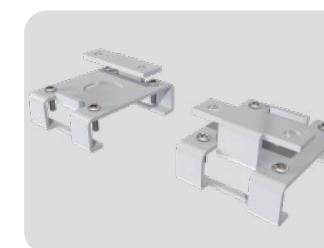
Mounting Accessories



Hanging Mount



Pipe Mount



Surface Mount



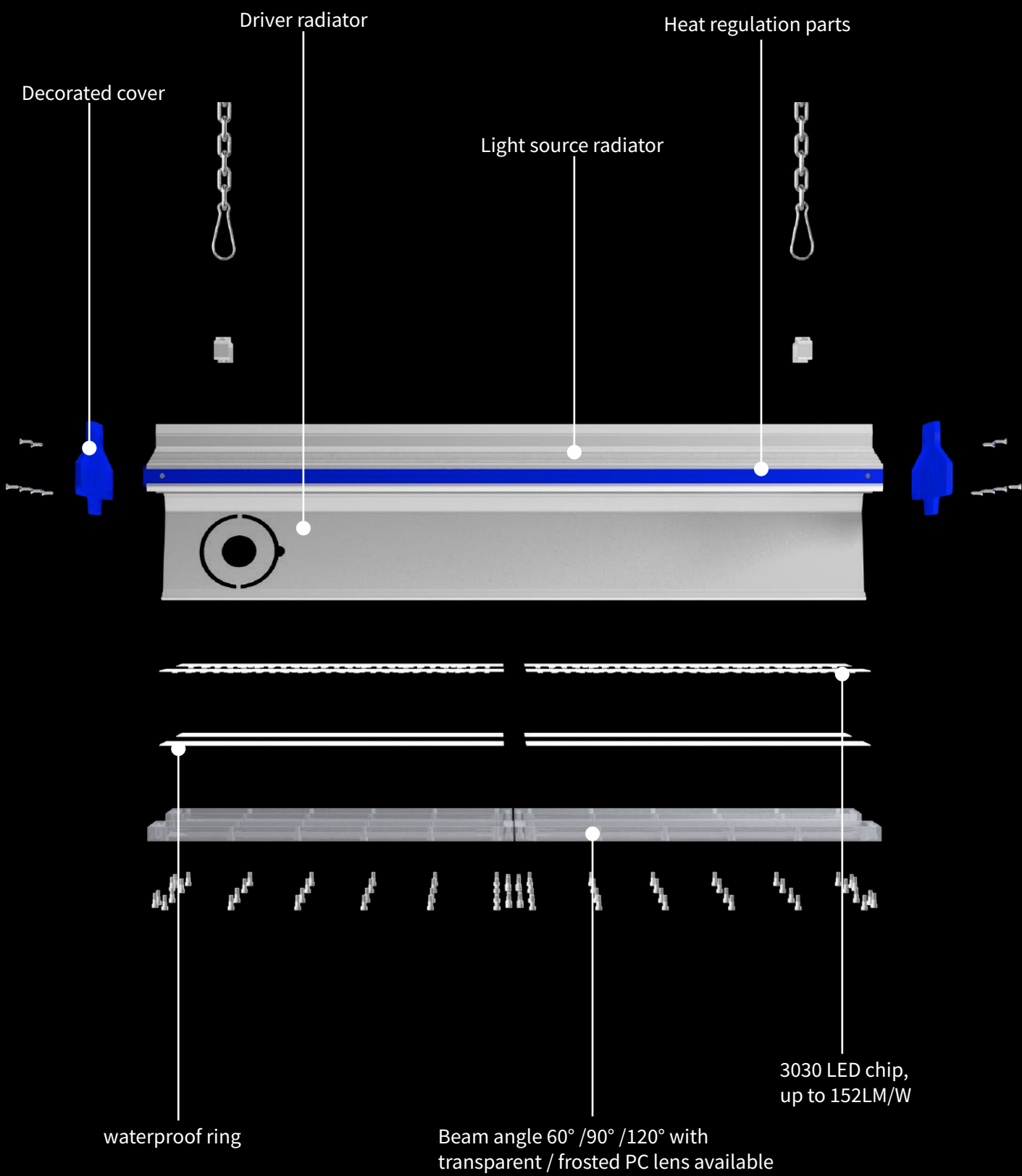
Bracket mount



IP65

K2

LED Linear High Bay Light

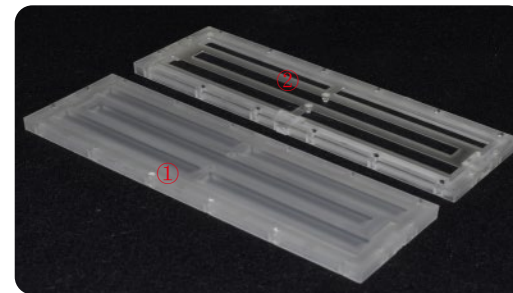


K2 LED Linear High Bay Light



①Milky Lens ②Transparent Lens

View angle 60°/90°/120° available



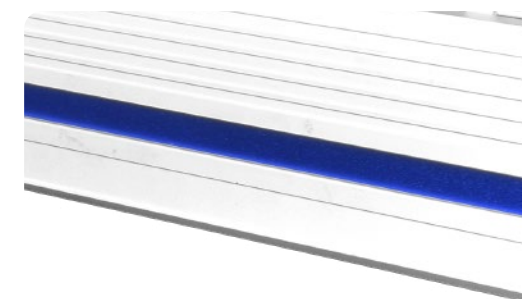
IP Rating IP65

Use silicon rubber ring sealing process, IP grade reach IP65, completely prevent dust invasion and heavy rain.



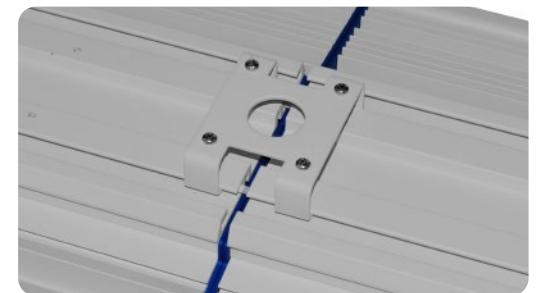
Perfect Heat Dissipation

The power supply and the light board are independently cooled.



Connection buckle

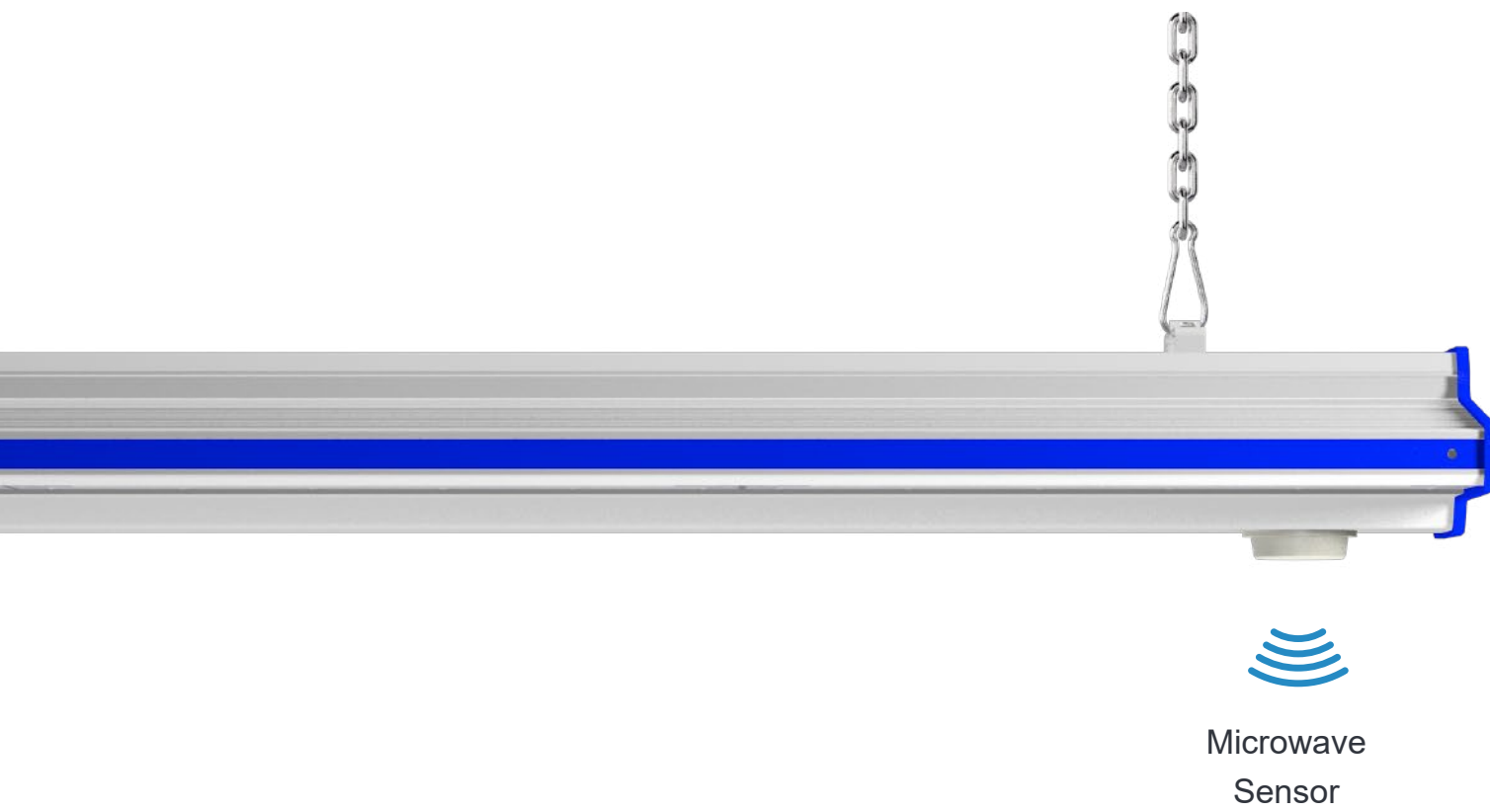
The lamp body and the lamp body can be directly spliced infinitely, which is convenient and quick to install.



⚡ 480V

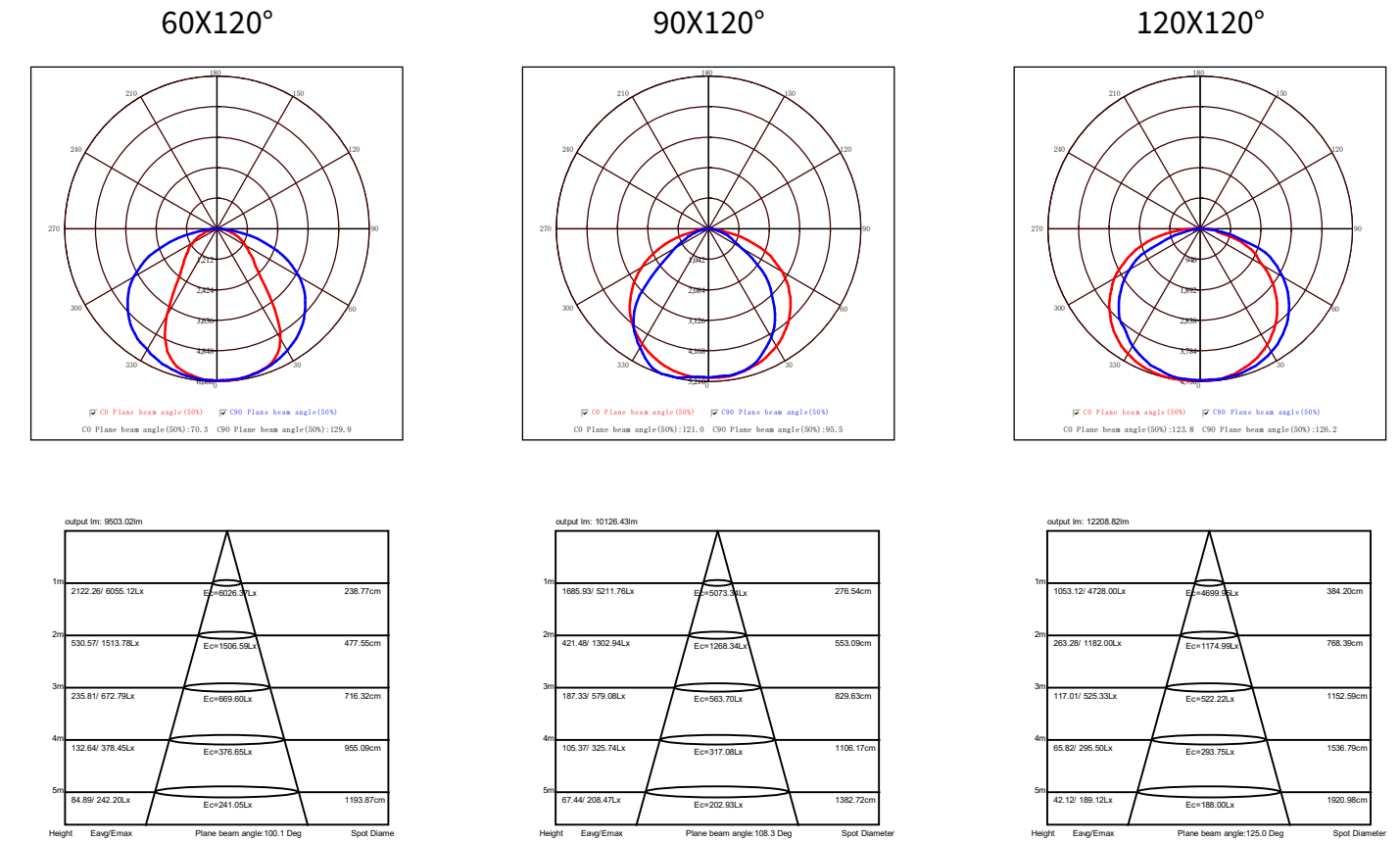
High Voltage

K1 also provides high voltage version. (277-480VAC)



Microwave
Sensor

Light Distribution



DALI Control

Luminaries can be controlled by a computer.

1-10V Dimming

Luminance can be divided into 10 level, set it upon your specific needs.

Timer control

We can set the lamp to work at a specific time to save cost.

Daylight sensor

Provide an energy saving without sacrificing visual comfort. With ambient light dependent control.

Zigbee Control

Zigbee Remote Control provides a global standard for advanced, greener and easy-to-use RF remotes that removes line-of-sight restrictions while also delivering two-way communication, longer range of use and extended battery life.

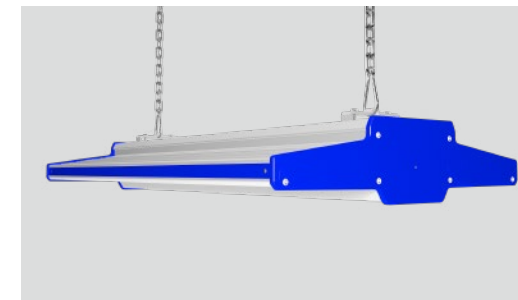
Emergency power supply

The duration of emergency operation of 1-3h depends on LED lamp power rating and the capacity of battery used.

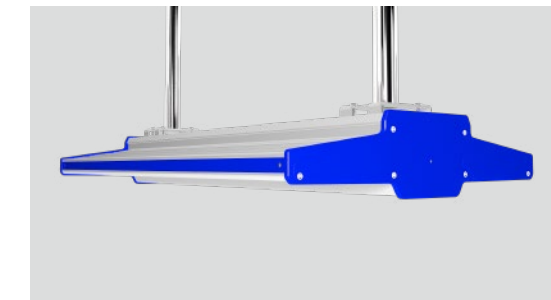
Motion sensor

Automatic dimming when used in combination with 1-10V Built-in adjustable daylight sensor. widely use in warehouse area.

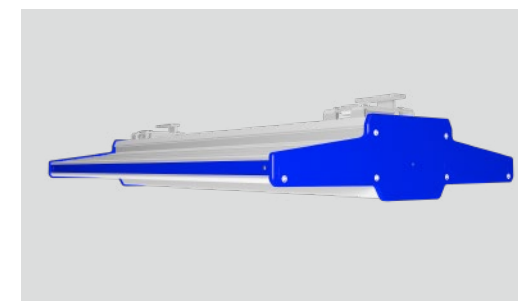
Multiple Mounting



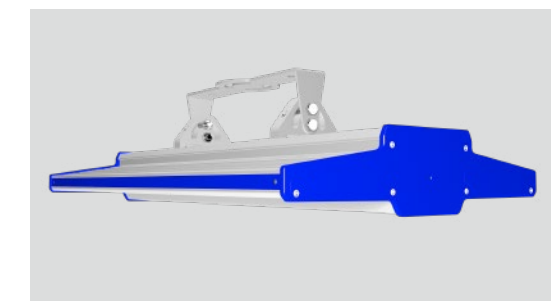
Hanging Mount



Pipe Mount



Surface Mount



Bracket mount

Product Parameters

Part Number	HB100W/150W-K2	HB200W/250W-K2	HB300W/360W-K2	HB400W/500W-K2
Power	100W/150W	200W/250W	300W/360W	400W/500W
Luminous Efficacy	152LM/W	152LM/W	152LM/W	152LM/W
Lumen Output	15200lm/22800lm	30400lm/38000lm	45600lm/54720lm	60800lm/76000lm
LED Quantity	154pcs	308pcs	462pcs	616pcs
Size(mm)	L300*W320*H80	L600*W320*H80	L895*W320*H80	L1190*W320*H80
CCT	3000K 4000K 5000K 6000K (Custom Option)			
CRI	≥80Ra			
System Efficiency	≥90%			
Lens	60°/90°/120°			
Input Voltage	AC100-277V/347V/480V, 50-60Hz, >0.92			
Warranty	7 years			
IP Rating	IP65			
Lifespan	50,000+ Hours			
Material	Die-casting Aluminum housing+PC lens			
Working Temperature	-30°C to +50°C			
Certification	UL,DLC,SAA,VEET,CB,IK10,IP65			
Color of housing	Blue+white(customized)			

Packing Info

Model No.	N.G(KG)	G.W (KG)	Pcs/carton	Carton Size(CM)
HB100W-K2	3.9	4.15	1	41*40*18
HB150W-K2	3.95	4.2	1	41*40*18
HB200W-K2	6.56	7.56	1	70*40*18
HB250W-K2	6.6	7.52	1	70*40*18
HB300W-K2	9.38	10.88	1	100*40*18
HB360W-K2	9.42	10.92	1	100*40*18
HB400W-K2	13.2	14.64	1	130*40*19
HB500W-K2	13.32	14.73	1	130*40*19

Application

