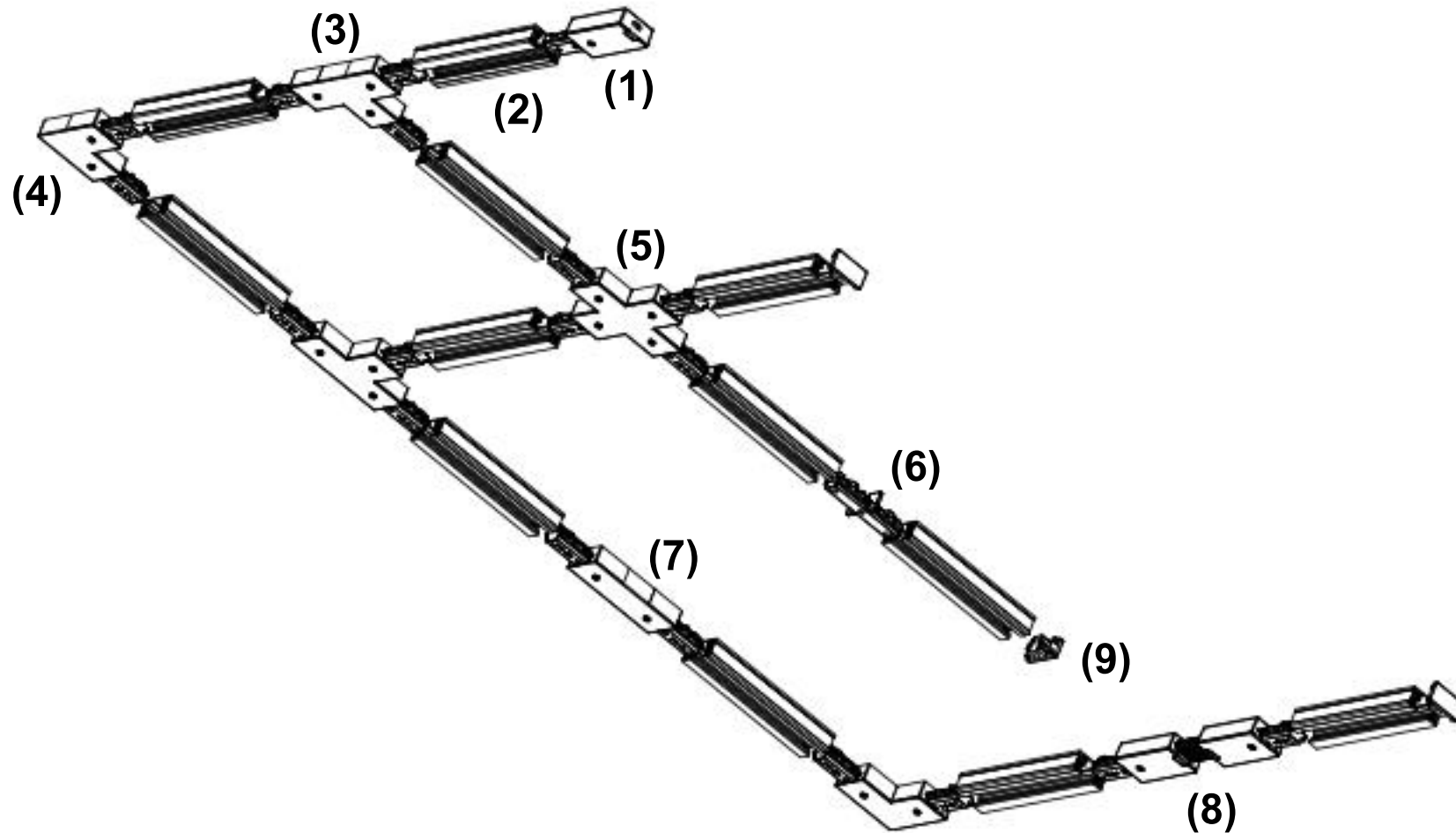


Track System



H-type 3 Wires Track System



(1) Live End Connector

(2) Track

(3) "T" Connector

(4) "L" Connector

(5) "+" Connector

(6) Mini Joiner

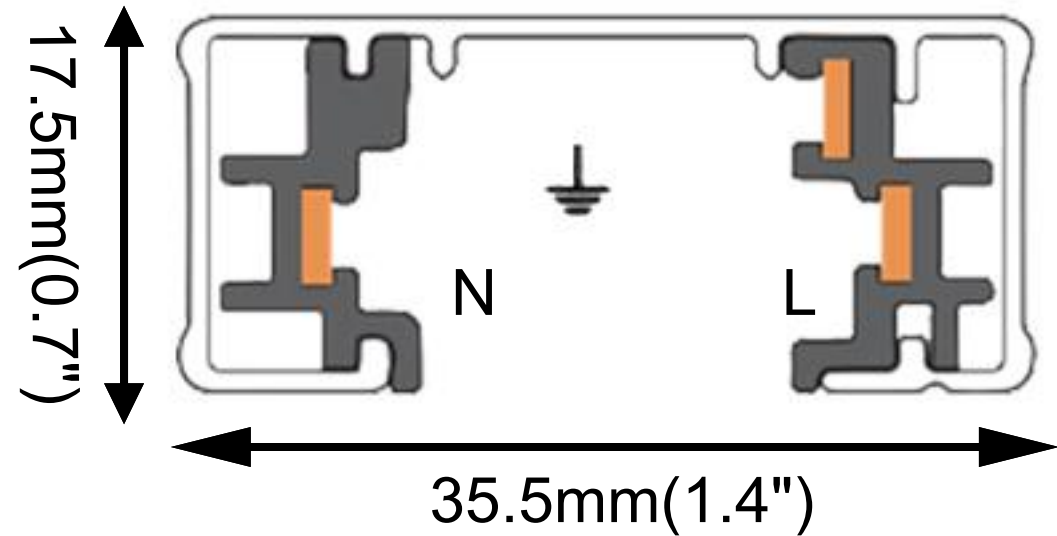
(7) Middle Connector

(8) Flexible Connector

(9) End Cap

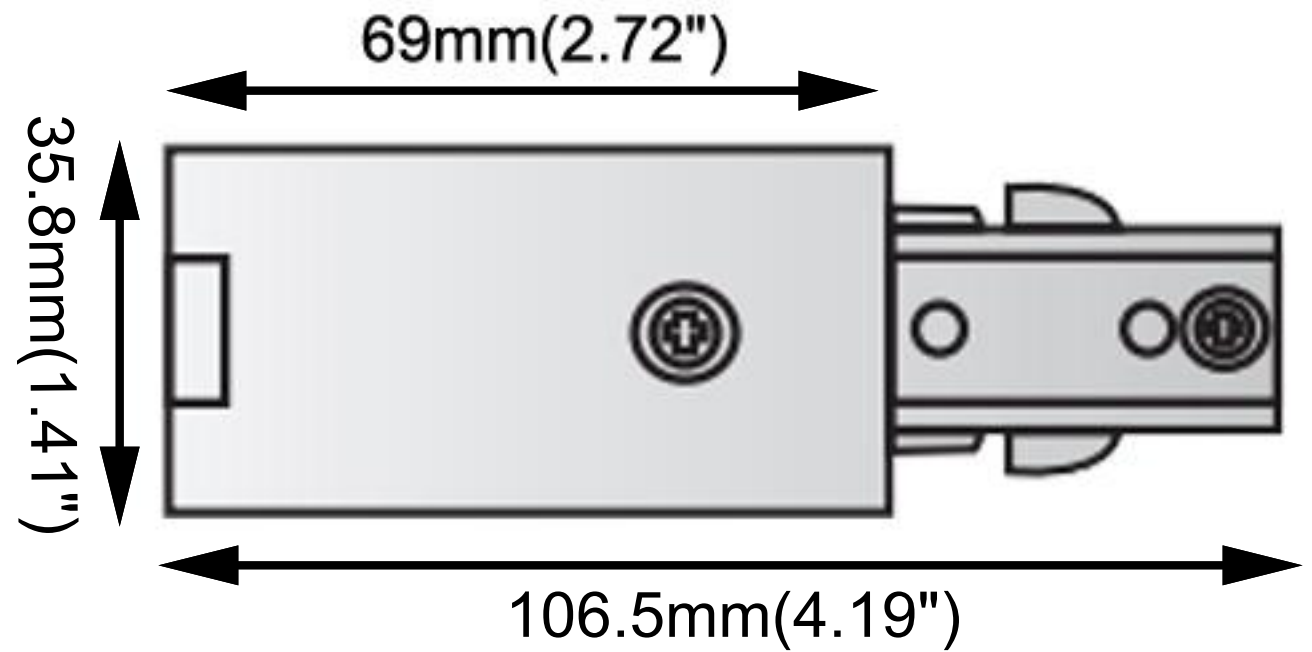
H-Type 3 Wires Track

Single Circuit Track, with End Cap and Mounting Accessories.
Finished Color: Black, White



Live End Connector

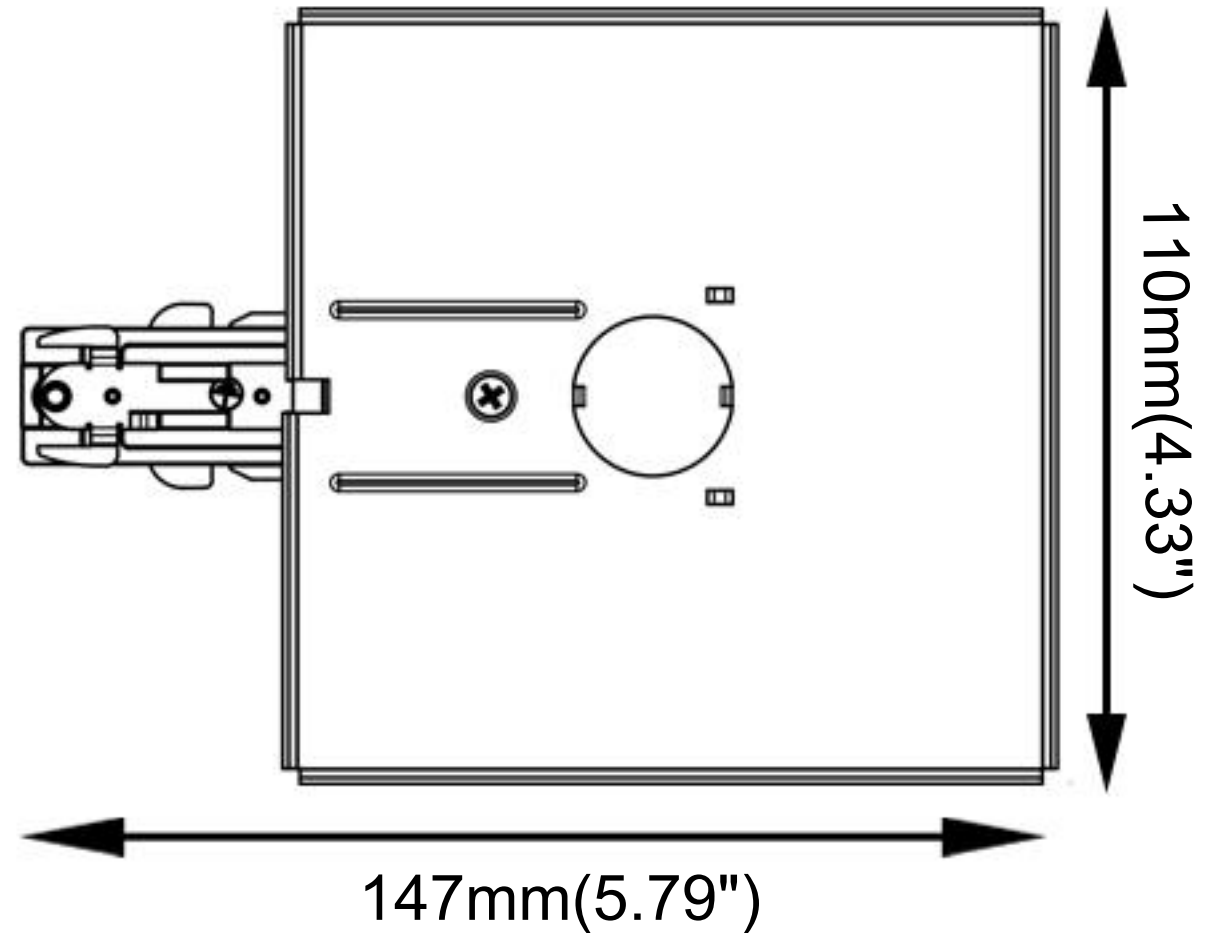
**Live End Connector Used for Direct Wiring.
Finished Color: Black, White**



End Feed Kit

Kit includes Live End Feed and Canopy to Mount on Outlet Box.

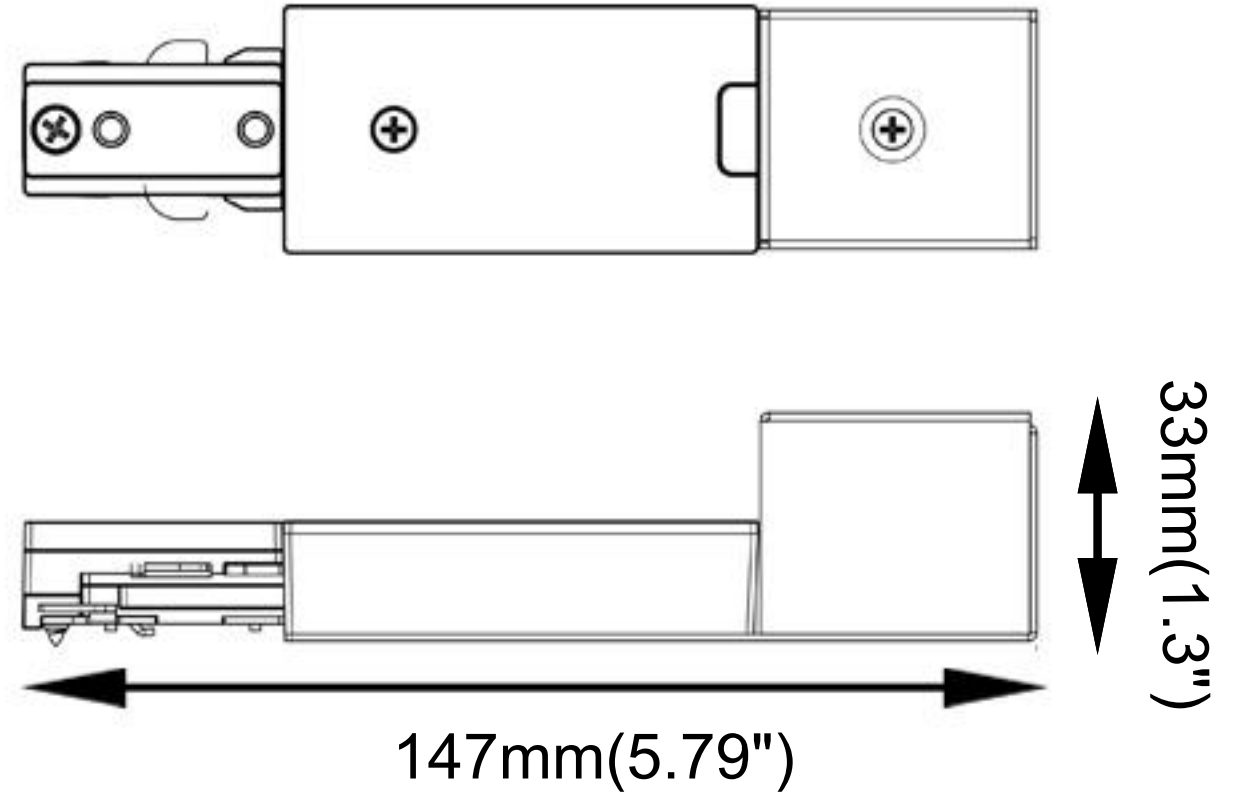
Finished Color: Black, White



Conduit Connector

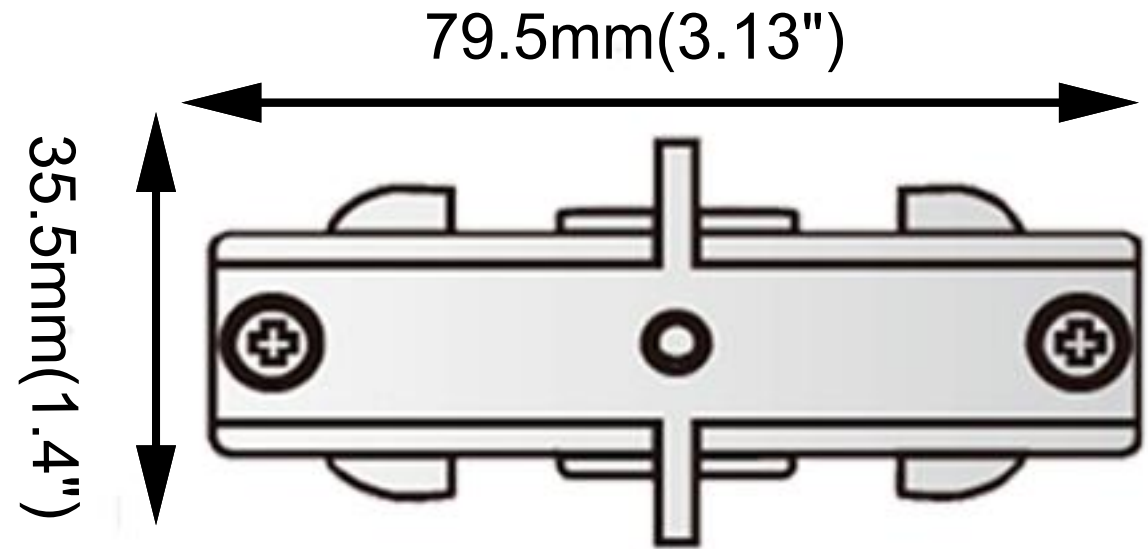
Kit includes Live End Feed and BX Connector.

Finished Color: Black, White



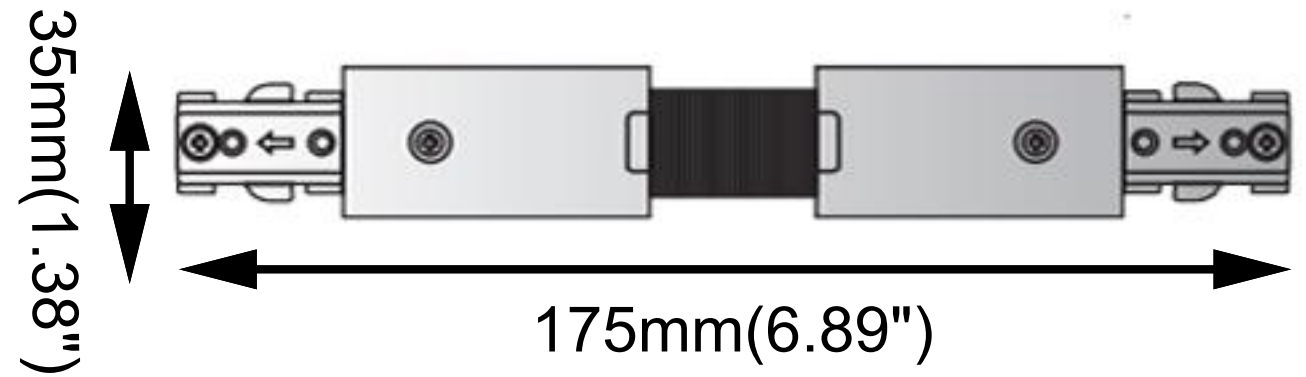
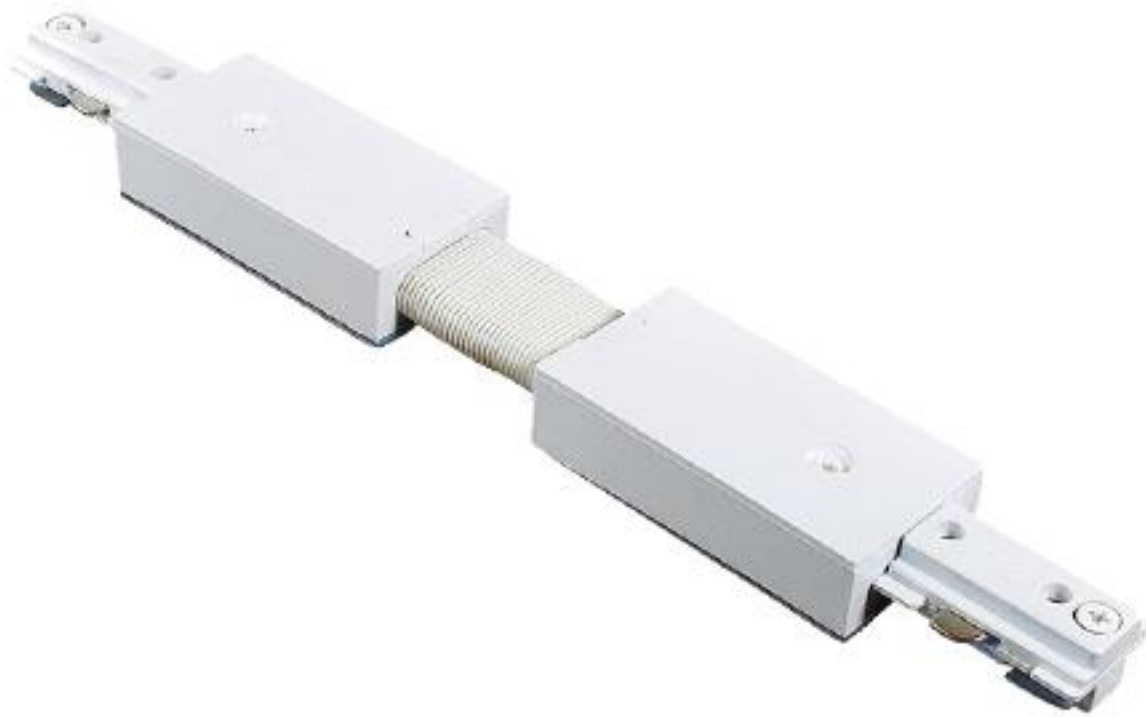
Mini Connector

**Mini Connector to Join Two Track Sections Without Passing the Power.
Finished Color: Black, White**



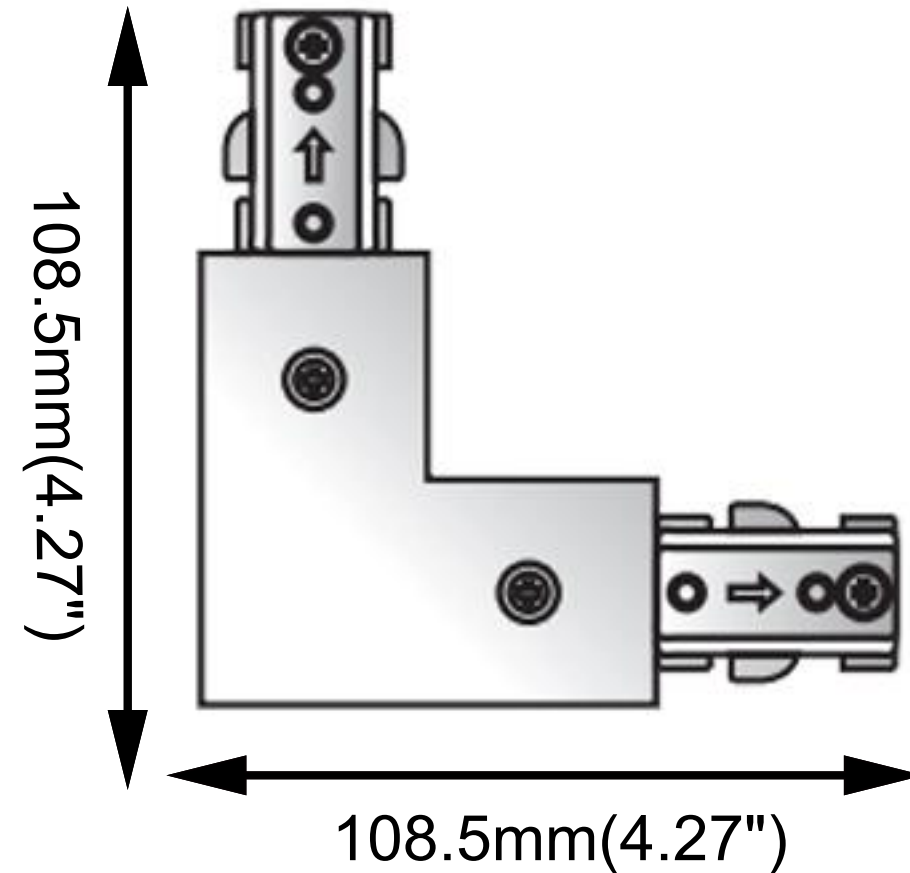
Flexible Connector

**Flexible Connector to Join Two Track Sections at an Angle up to 90°.
Finished Color: Black, White**



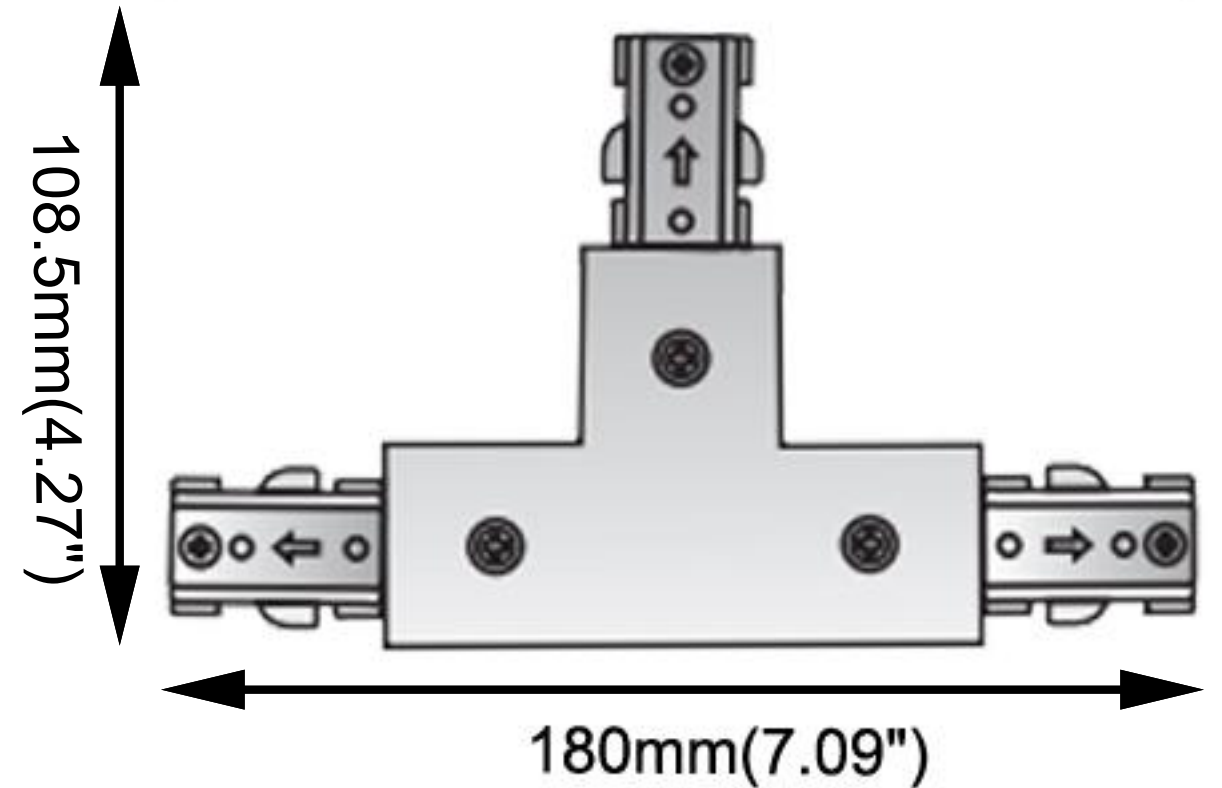
L Connector

**Power Feedable Connector to Join Two Track Sections at A 90° Angle.
Finished Color: Black, White**



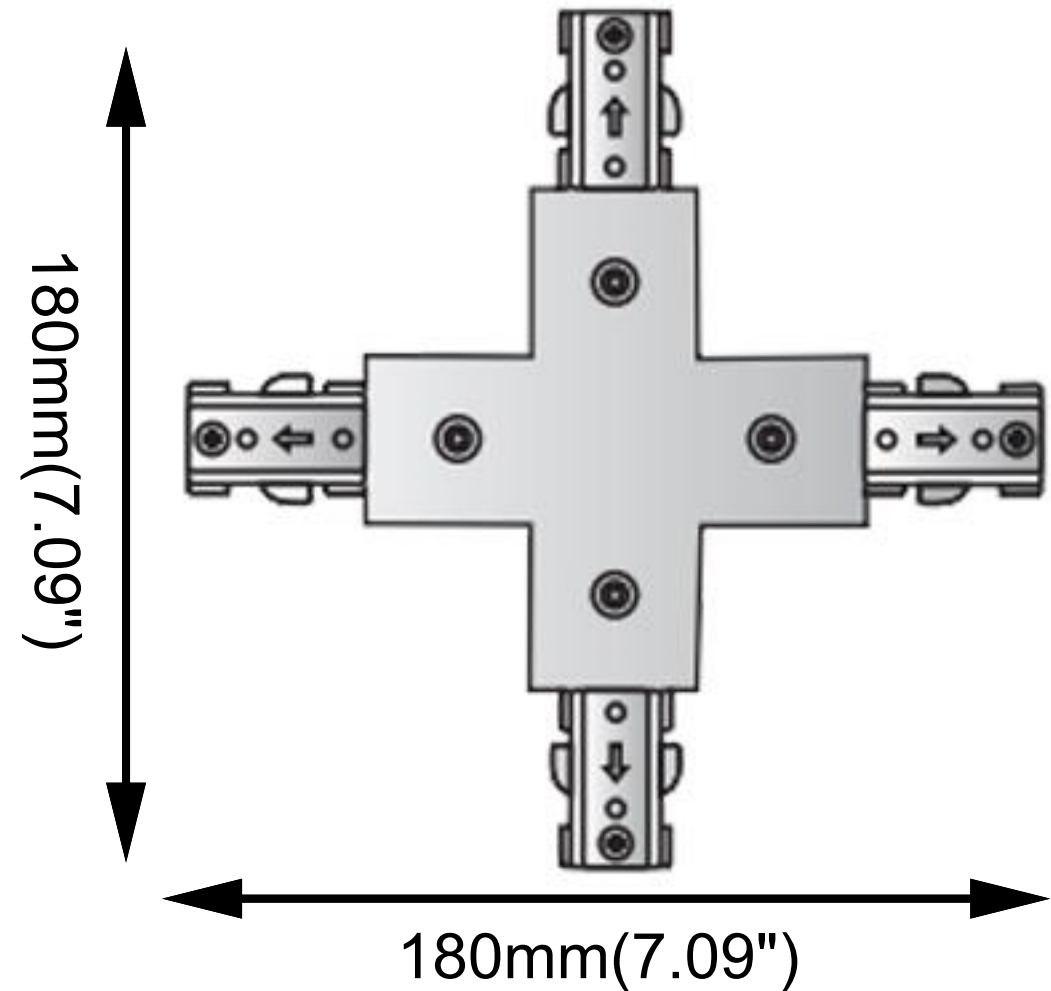
T Connector

**Power Feedable Connector to Join Three Track Sections.
Finished Color: Black, White**



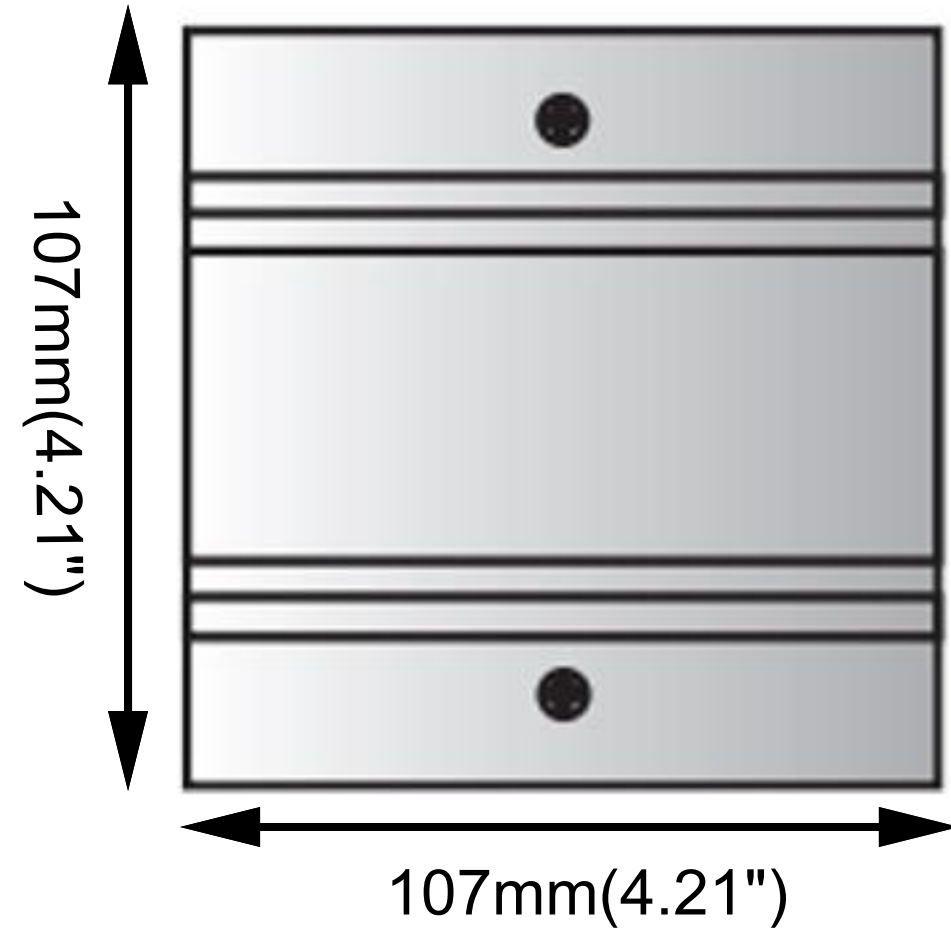
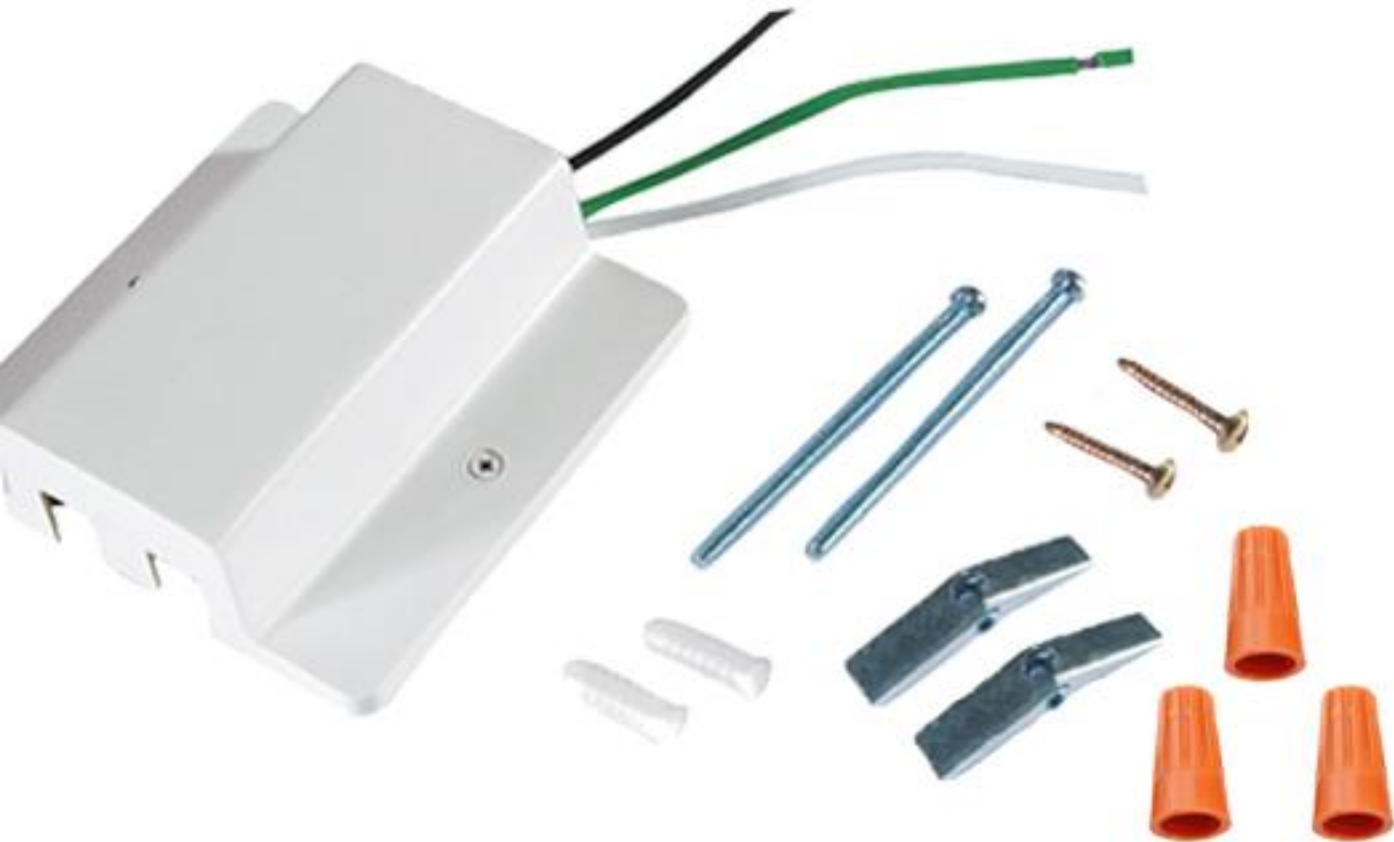
+ Connector

**Power Feedable Connector to Join Four Track Sections.
Finished Color: Black, White**



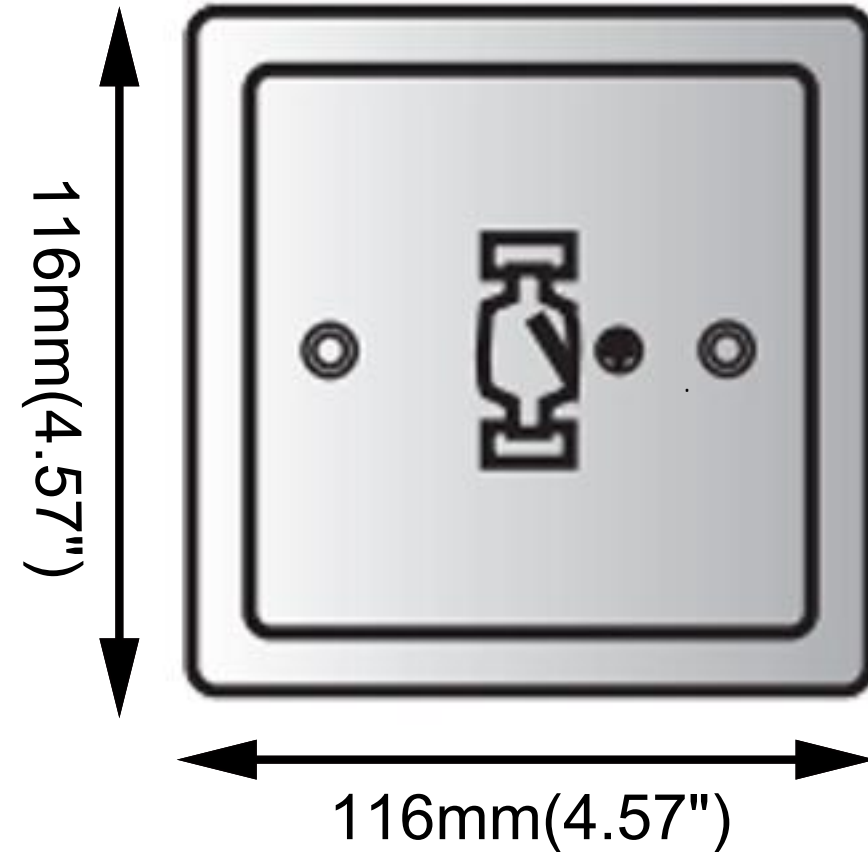
Floating Canopy

**A Floating Canopy Feeds Power from Anywhere Along the Track.
Finished Color: Black, White**



Monopoint Canopy

**Allows any Lamp Holder to Be Converted to Canopy Installation.
Finished Color: Black, White**



Cable

**Cable for Fixed Track. 1.5m, 2m, 3m, 4m Optional.
Finished Color: Black, White**

