

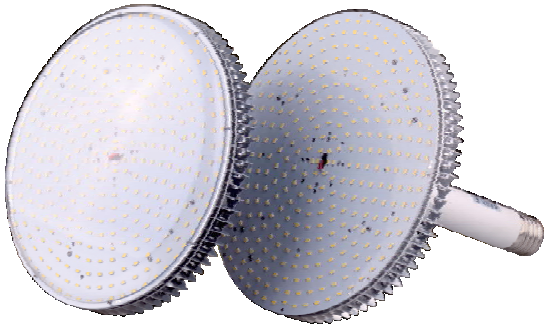
# CIP LIGHTING

A division of Charlotte International Partners Inc.  
1740 First Baxter Crossing, Fort Mill SC 29708 USA  
1-803-396-1439 info@ciplighting.com

## BRIGHTEN YOUR LIFE

NEW LED TECHNOLOGY THAT ALLOWS THE  
COEXISTENCE OF ENVIRONMENTAL  
PROTECTION AND ENERGY SAVING

## LED Pizza Light



### Benefits

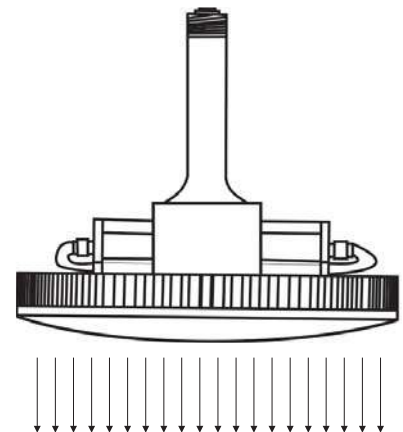
1. MH/HPS/HID/MHL/CFL lamp retrofit
2. Screw Base Direct Install by bypass ballast
3. 100% Pure Aluminum Fins Heat Sink
4. Universal Base E26/E27/E39/E40
5. ETL CETL DLC CE ROHS listed



Intertek  
4010207

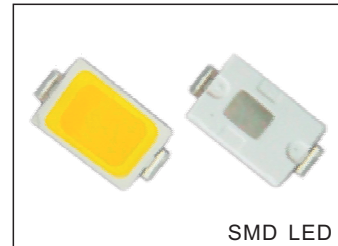
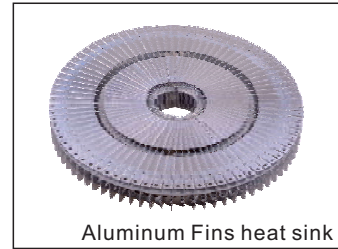


CIP-BB-YPD-XXX-A



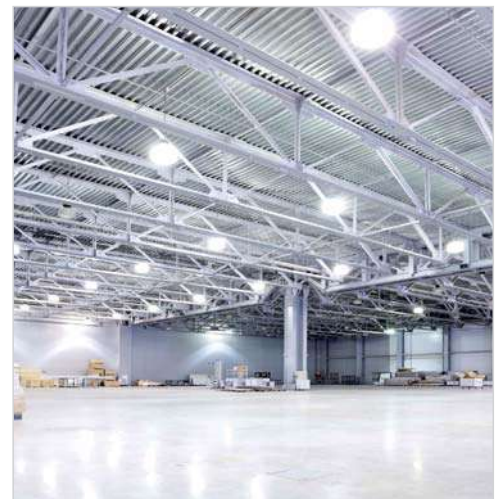
### Features

1. Beam angle: 120 degrees.
2. Aluminum fins heat sinks is good for heat dissipation.
3. It's major to replace the CFL/MH/HID/HPS.
4. Green, energy saving, long and reliable life of 50,000 hours.
5. No RF interference, No IR/UV radiation ,no mercury pollution.
6. Wide colour availability in degrees Kelvin(K),2700-6700K.
7. Streamline exterior design, beautiful appearance.
8. Environment friendly ,energy saving (70~80%).
9. Special circuit design, each LED work separately, avoiding the single broken LED influence problem.



### Application

1. Area Lighting/Street Lighting.
2. Garage Lighting/Ceiling Lighting.
3. Warehouse Lighting.
4. High/Low Bay Lighting.



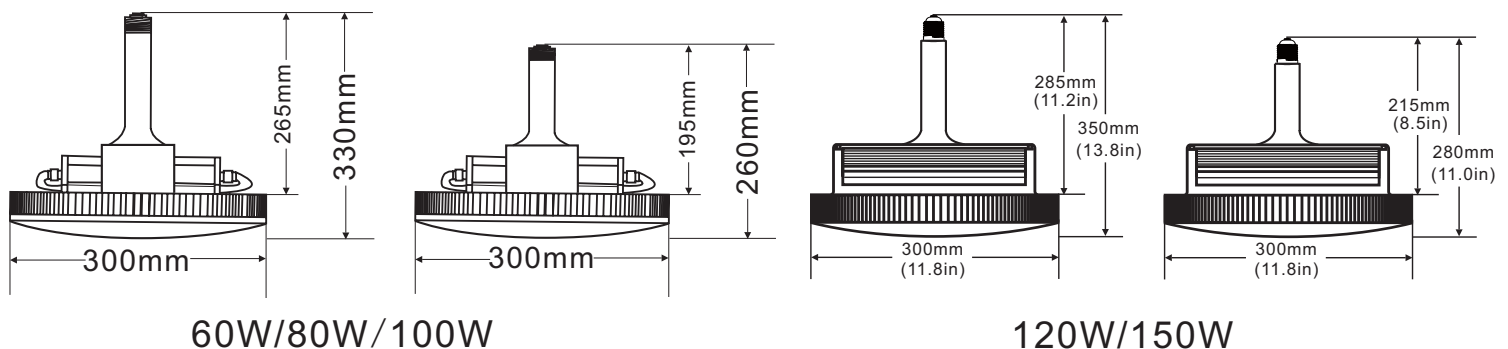
# LED Pizza Light

## SPECIFICATIONS

Power	60W	80W	100W	120W	150W
Model	CIP-BB-YPD-022-A	CIP-BB-YPD-023-A	CIP-BB-YPD-024-A	CIP-BB-YPD-025-A	CIP-BB-YPD-026-A
Luminous Flux	7200lm	9600lm	12000lm	14400lm	18000lm
Replacement	HPS 175W	HPS 250W	HPS 300W	HPS 400W	HPS 600W
Poles	L: Long Pole                      S: Short Pole				
Voltage	LV:100-277VAC		HV:200-480VAC		
Frequency	50-60HZ				
Light Source	SMD LED				
Luminous Efficacy	>120lm/w				
Operation Temp.	-40 to +45°C				
CCT	2700K SW / 3000K WW / 4100K NW / 5000K DW / 5700K CW				
CRI	85				
Life Span	50,000 hours at 25°C				
Driver	UL listed power supply				
Dimming	NO				
Beam Angle	120°				
Lamp Base	E26/E27/E39/E40				
PF	>0.95				
Warranty	5Years				

## DIMENSIONAL DRAWING

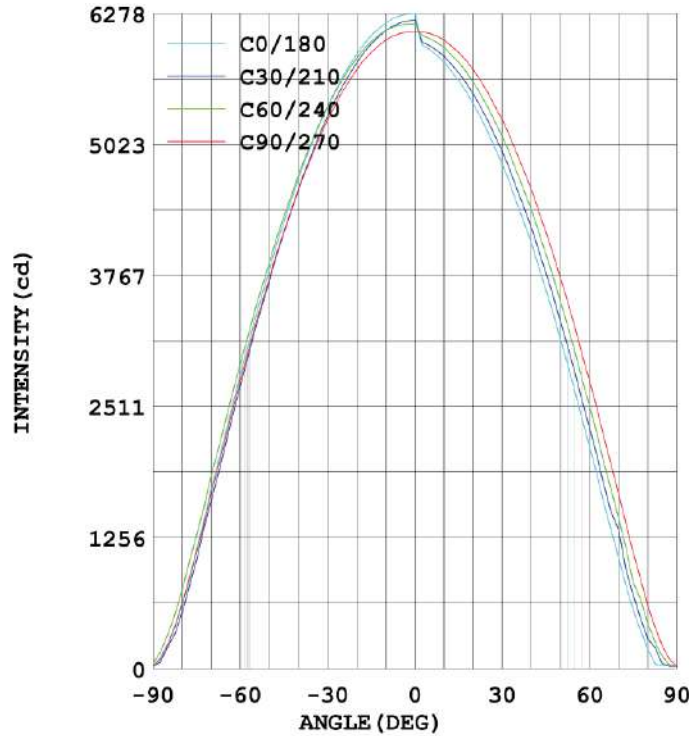
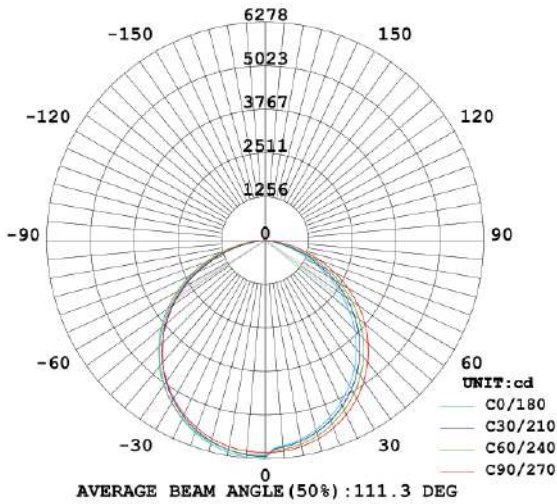
### Dimensions with cover



\* The height of the cover is 30mm (1.18in).

\* Dimensions without cover is 30mm less than the height above, the others are the same.

### LUMINOUS INTENSITY DISTRIBUTION



### PROJECTS

By using our 120W Pizza Light to replace 400W Metal Halide bulb for warehouse high bay lighting fixtures, the customer is now able to save a lot per month from his electric bill.



Replace



**120W LED = 400W MH**

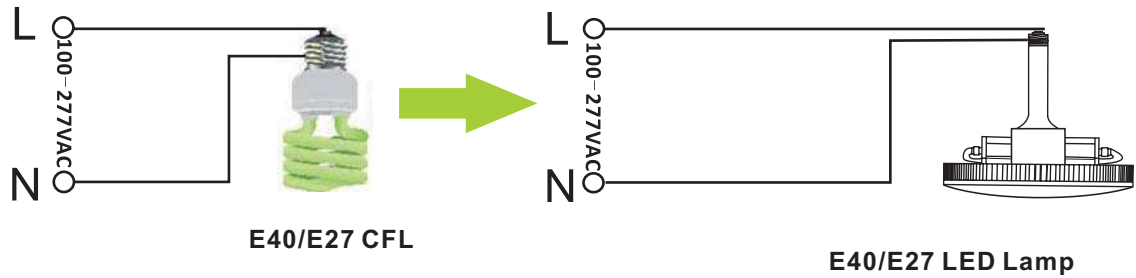
#### Note:

- Don't take the LED lamp apart.
- The LED lamp must work under the right voltage according to the specification.
- Must remove the Ballast, Capacitor, Ignitor before installing our LED Light.

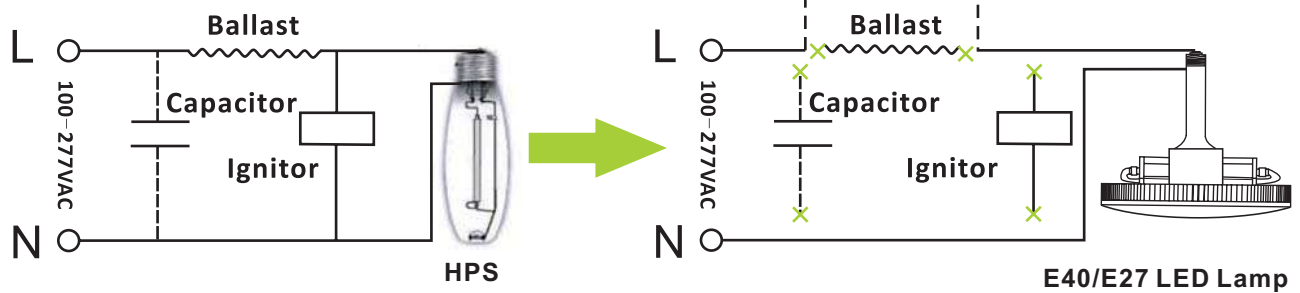
# INSTALLATION

Normally. The traditional lamp has the ballast or capacitor or ignitor, like HPS, MH.

## Replace E40/E27 CFL

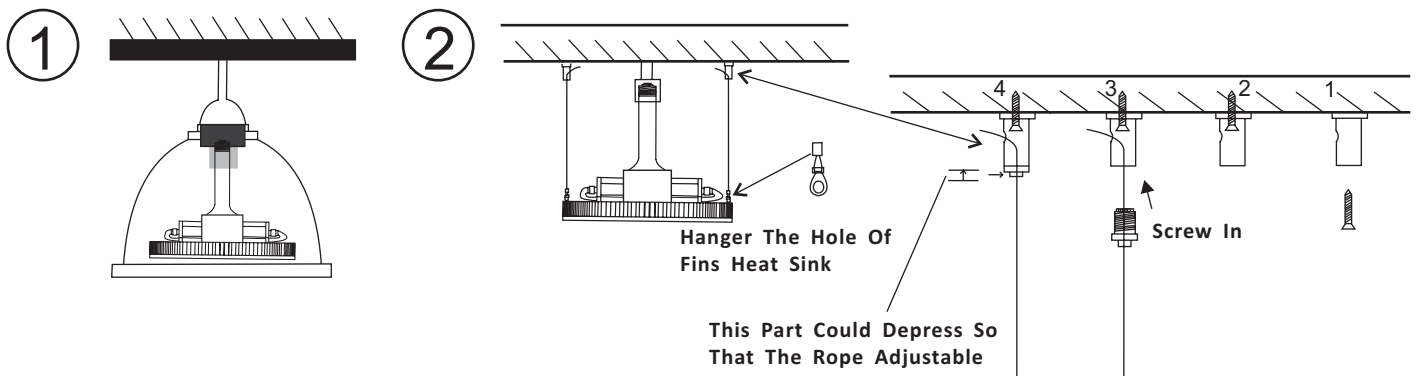


## Replace HPS/MH



Note: remove the Ballast, Capacitor parts

E27/E40 Pizza Light has two kinds of installation:



# PACKING INFO



Packaging	Carton Size(mm) (L*W*H)	N.W	G.W	Volume weight
I ) 2pcs/CTN	510*365*365mm	5.0kg	6.5kg	17.5kg
II ) 3pcs/CTN	510*365*365mm	10.0kg	12.0kg	17.5kg
II ) 4pcs/CTN	510*365*365mm	10.0kg	12.0kg	17.5kg

I ---Complete packing

II ---Packing with long stem off(120W-150W,without cover)&(all with cover)

III---Packing with long stem off(60W-100W,without cover)