

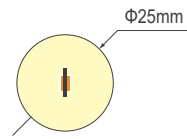
# D25MM 360° EMITTING SILICONE NEON STRIP



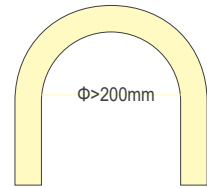


## Product Feature

- Unique optical light distribution structure design, 360° emitting uniform without shadow.
- IP65 protection level with integrated extrusion molding process, high light transmittance, environment-friendly silicone material.
- Excellent toughness, stylish appearance, elegant design
- Salt resistance, acid & alkali corrosion resistance, UV and fire resistance.
- Ambient temperature: -25°C~60°C; Storage temperature: 0°C~60°C.

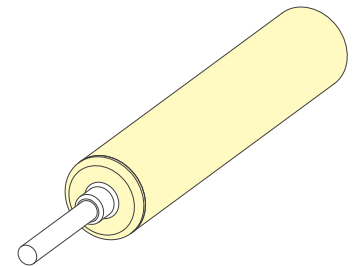
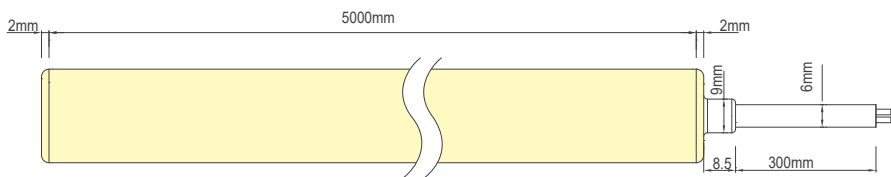


Diameter



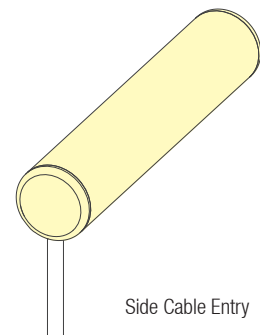
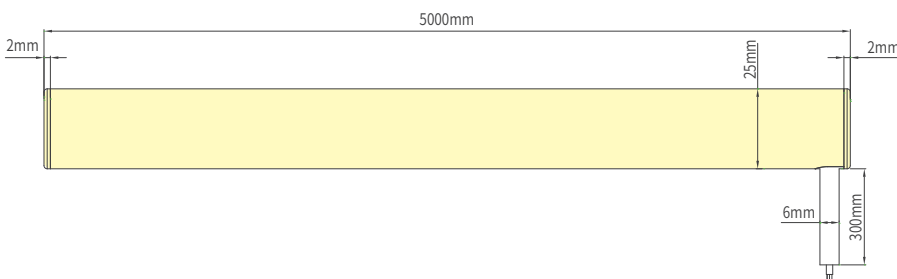
Minimum bending diameter

### Front entry Integral End cap (IP65)



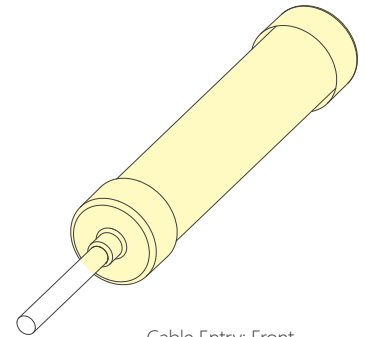
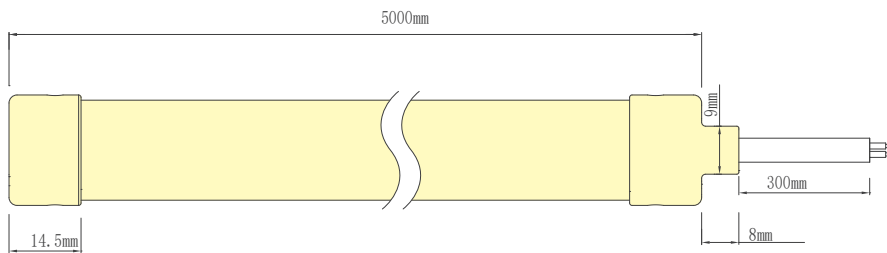
Cable entry: Front

### Side entry Intergral End Cap (IP65)



Side Cable Entry

## Silicone End Cap(IP65)



Cable Entry: Front

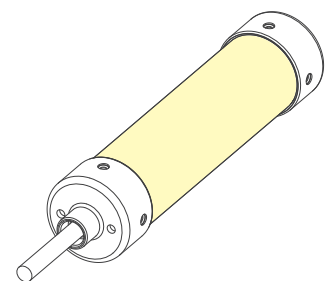
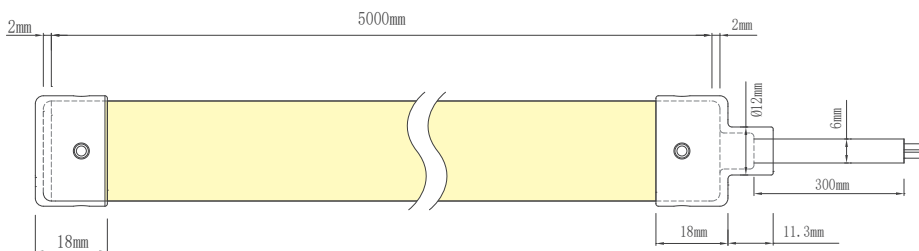


The Head



The End

## Metal End Cap(IP65)



Cable Entry: Front



The Head



The End



The metal guard coil is unavailable if fitted the metal end cap

## Photoelectric parameters (5W)

Power (W)	CCT	Lumens (LM/M)	Efficacy (LM/W)	Voltage (v)	CRI (Ra)	Unit cut (mm)	Max. productive length (M)
Single color 5W	2400±100	272	56	24	90	/	5M
	2700±100	276	55				
	3000±100	284	27				
	3500±200	306	61				
	4000±300	298	59				
	5000±300	309	62	24	/	/	5M
	6000±300	302	60				
	R: 620-630nm	114	23				
	G: 520-530nm	289	58				
	B: 465-475nm	61	12				
Y: 585-595nm	97	19	24	/	/	5M	
Pink	210	42					
2700 (WW)	124	49					
5000 (W)	127	50					
3500 (WW+W)	250	50	24	/	/	5M	
R: 620-630nm	27	15					
G: 520-530nm	98	57					
B: 465-475nm	16	9					
RGB	144	29					

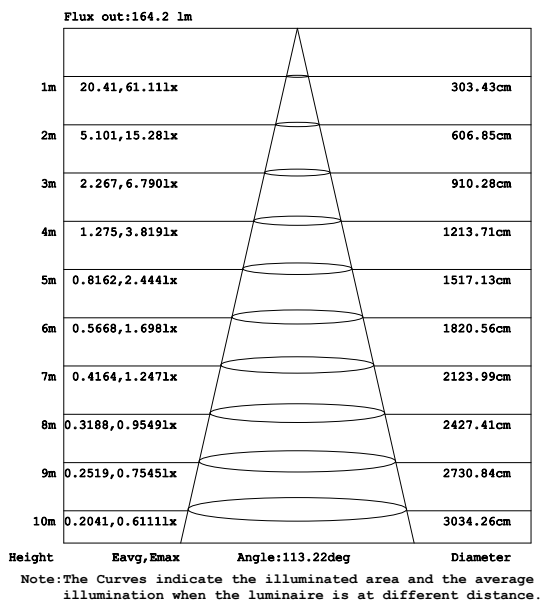
## Photoelectric parameters (10W)

Power (W)	CCT	Lumens (LM/M)	Efficacy (LM/W)	Voltage (v)	CRI (Ra)	Unit cut (mm)	Max. productive length (M)
Single color 10W	2400±100	525	53	24	90	/	5M
	2700±100	517	52				
	3000±100	529	53				
	3500±200	600	60				
	4000±300	556	55				
	5000±300	604	60	24	/	/	5M
	6000±300	586	58				
	R: 620-630nm	246	25				
	G: 520-530nm	502	50				
	B: 465-475nm	114	11				
Y: 585-595nm	209	21	24	/	/	5M	
Pink	409	41					
Tunable white 10W	2700 (WW)	258					50
	5000 (W)	262					50
	3500 (WW+W)	517	50				
RGB 10W	R: 620-630nm	56	16	24	/	/	5M
	G: 520-530nm	162	47				
	B: 465-475nm	26	7				
	RGB	248	24				

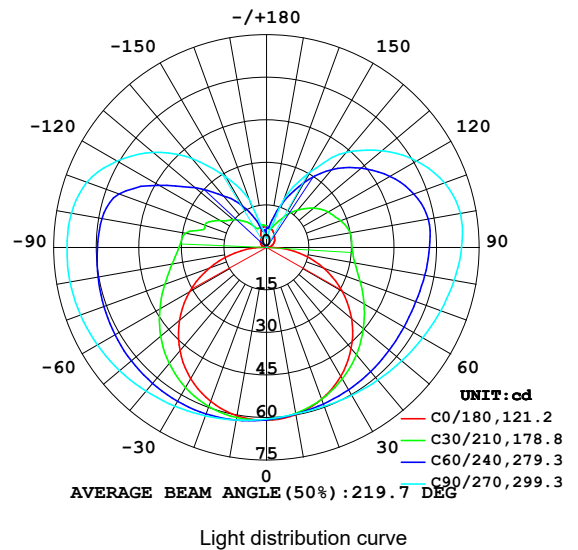
### Photoelectric parameters (RGBW 16W)

Power (W)	CCT	Lumens (LM/M)	Efficacy (LM/W)	Voltage (v)	CRI (Ra)	Unit cut (mm)	Max. productive length (M)
RGB	R: 620-630nm	58	15	24	/	/	5M
	G: 520-530nm	194	49				
	B: 465-475nm	32	8				
W	RGB	281	23	24	90	/	5M
	2200±100K	200	50				
	2700±100K	219	55				
	3200±200K	224	56				
	4500±300K	226	56				
	5500±300K	237	59				
	6500±500K	229	57				

### Light distribution curve



Effective average illumination



Light distribution curve

Note: The above data is based on the test results of the single white 3000K led strip.

## Product accessories



-Name: R25 - Surface mounting with open PC clips  
-Model: R25-IA01  
-Attachment: Transparent PC mounting clips, Tapping screws, Expandable rubber plugs



-Name: R25 - Surface mounting with PC profile  
-Model: R25-IA02  
-Attachment: Transparent PC mounting profile, Tapping screws, Expandable rubber plugs



-Name: R25 - "—" type hanging mounting with open PC clips  
-Model: R25-IA03  
-Attachment: Transparent PC mounting clips, Kit of hanging rope, Screws



-Name: R25 - "—" type hanging mounting with PC profile  
-Model: R25-IA04  
-Attachment: Transparent PC mounting profile, Kit of hanging rope, Screws



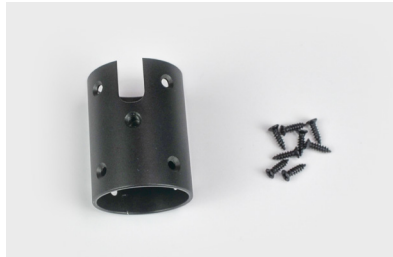
-Name: R25 - "I" type hanging mounting  
-Model: R25-IA05  
-Attachment: Kit of "I" type hanging mounting, Tapping screws, Expandable rubber plugs



-Name: R25 - "U" type hanging mounting  
-Model: R25-IA06  
-Attachment: Kit of "U" type hanging mounting, Tapping screws, Expandable rubber plugs



-Name: R25 - "I" type hanging mounting with rope  
-Model: R25-IA07  
-Attachment: Kit of "I" type hanging mounting with rope, Tapping screws, Expandable rubber plugs



-Name: R25 - Connector with side outlet  
-Model: R25-IA08  
-Attachment: Metal connector with side outlet, Tapping screws



-Name: R25 - Connector  
-Model: R25-IA09  
-Attachment: Metal connector, Tapping screws

## Product accessories



-Name: R25 - Surface mounting with closed PC clips  
-Model: R25-IA10  
-Attachment: "Ω" type transparent PC clips, Transparent PC pedestals with one hole, Tapping screws, Expandable rubber plugs



-Name: R25 - " type hanging mounting with closed PC clips  
-Model: R25-IA11  
-Attachment: "Ω" type transparent PC clips, Transparent PC pedestals with one hole, Kit of hanging rope, Machine screws



-Name: R25 - Surface mounting with concealed PC clips  
-Model: R25-IA12  
-Attachment: Transparent PC pedestals with two holes, Transparent PC pedestals with five holes, Tapping screws, Tapping screws, Expandable rubber plugs



-Name: R25 - " type hanging mounting with concealed PC clips  
-Model: R25-IA13  
-Attachment: Transparent PC pedestals with five holes, Tapping screws, Kit of hanging rope, Machine screws



-Name: R25 - " type adjustable hanging mounting with open PC clips  
-Model: R25-IA14  
-Attachment: Transparent PC mounting clips, Machine screws, Kit of telescopic rod



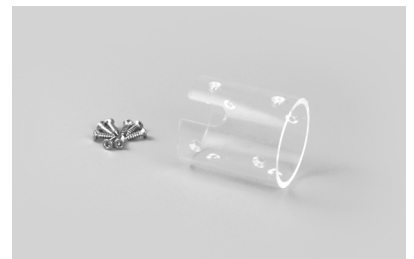
-Name: R25 - " type adjustable hanging mounting with PC profile  
-Model: R25-IA15  
-Attachment: Transparent PC mounting profile, Machine screws, Kit of telescopic rod



-Name: R25 - " type adjustable hanging mounting with closed PC clips  
-Model: R25-IA16  
-Attachment: "Ω" type transparent PC clips, Transparent PC pedestals with one hole, Kit of telescopic rod



-Name: R25 - " type adjustable hanging mounting with concealed PC clips  
-Model: R25-IA17  
-Attachment: Transparent PC pedestals with five holes, Tapping screws, Kit of telescopic rod, Machine screws



-Name: R25 side outlet transparent connector  
-Model: R25-IA18  
-Attachment: Screws, PMMA transparent side outlet connector



## Product accessories



-Name: R25 side outlet transparent connector with lifting rope  
 -Model: R25-IA19  
 -Attachment: Screws,Kit of hanging rope,  
 Expandable rubber plugs,Tapping  
 screws,PMMA transparent side outlet  
 connector;

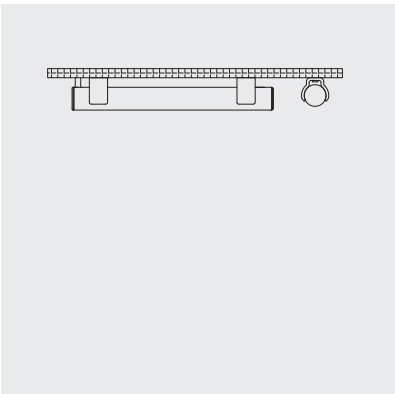


-Name: R25 transparent connector  
 -Model: R25-IA20  
 -Attachment: Screws,PMMA transparent connector;

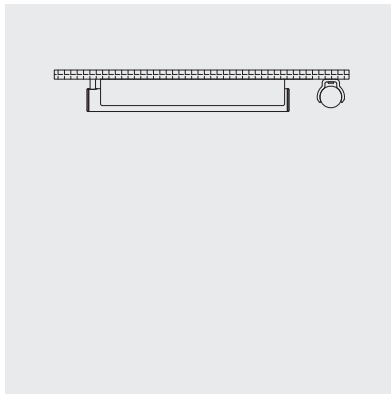


-Name: R25 transparent connector with lifting rope  
 -Model: R25-IA21  
 -Attachment: Screws,Kit of hanging rope,  
 Expandable rubber plugs,Tapping  
 screws,PMMA transparent connector;

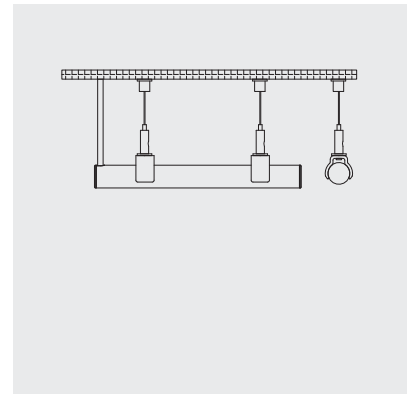
## Installation method



R25 - Surface mounting with open PC clips  
 (R25-IA01)

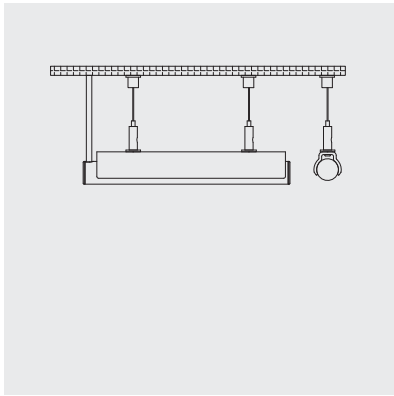


R25 - Surface mounting with PC profile  
 (R25-IA02)

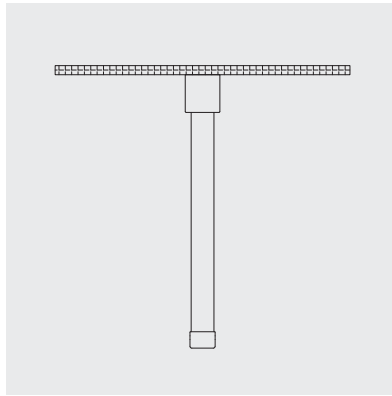


R25 - “—” type hanging mounting with  
 open PC clips  
 (R25-IA03)

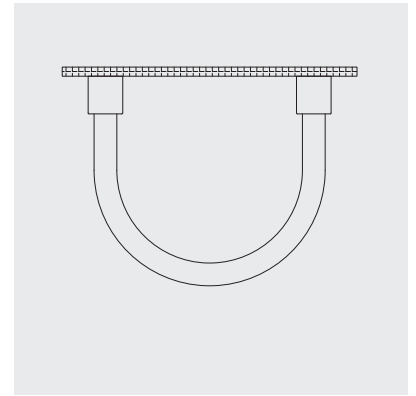
## Installation method



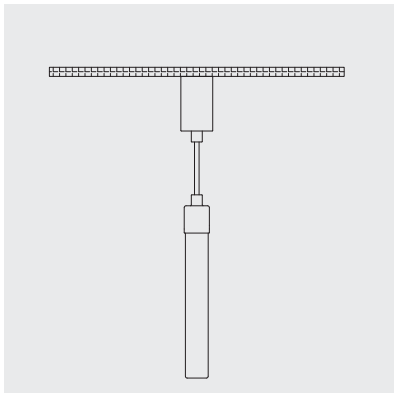
R25 - "—" type hanging mounting with PC profile (R25-IA04)



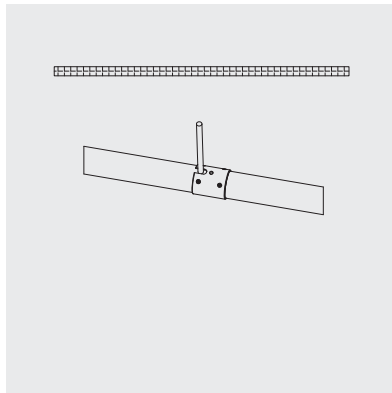
R25 - "I" type hanging mounting (R25-IA05)



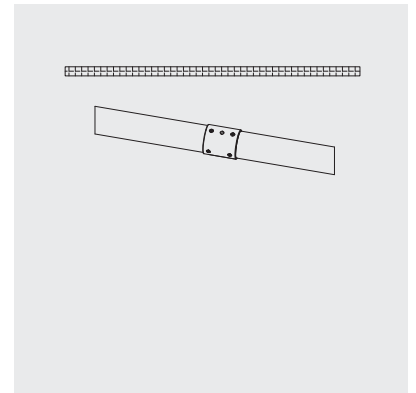
R25 - "U" type hanging mounting (R25-IA06)



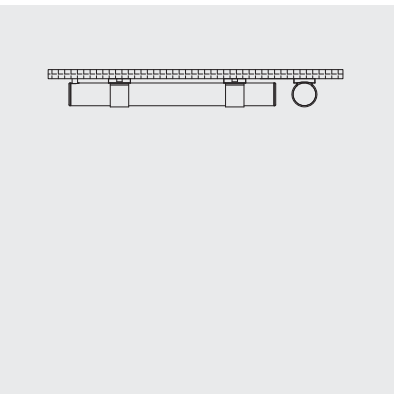
R25 - "I" type hanging mounting with rope (R25-IA07)



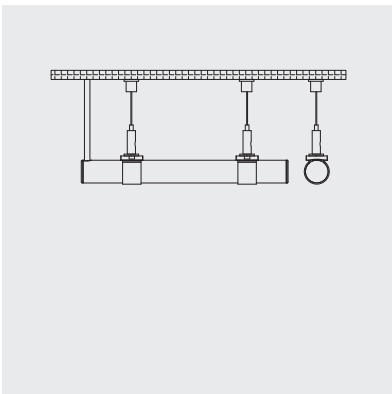
R25 - Connector with side outlet (R25-IA08)



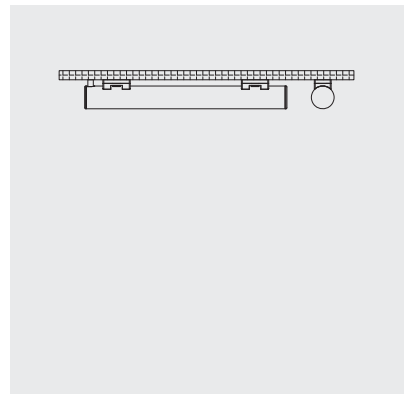
R25 - Connector (R25-IA09)



R25 - Surface mounting with closed PC clips (R25-IA10)

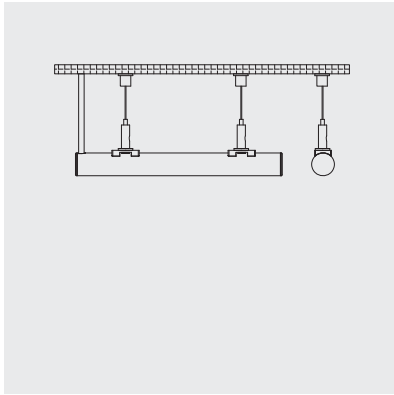


R25 - "—" type hanging mounting with closed PC clips (R25-IA11)

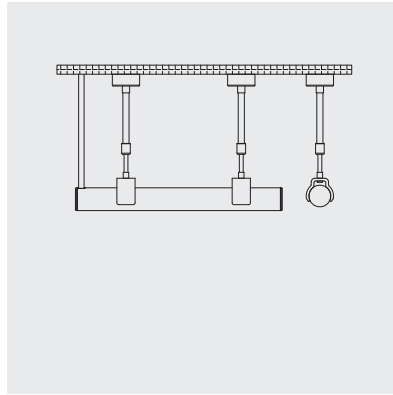


R25 - Surface mounting with concealed PC clips (R25-IA12)

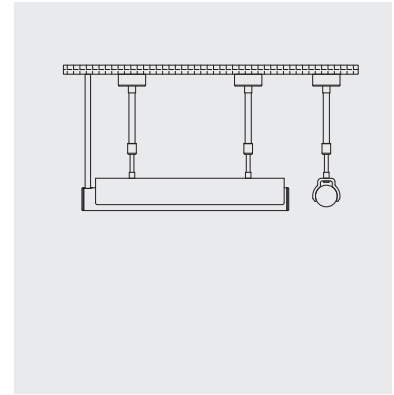
## Installation method



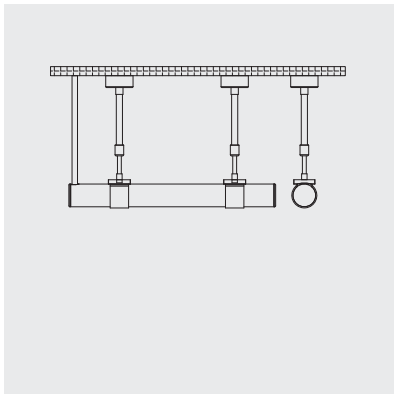
R25 - “—“ type hanging mounting with concealed PC clips (R25-IA13)



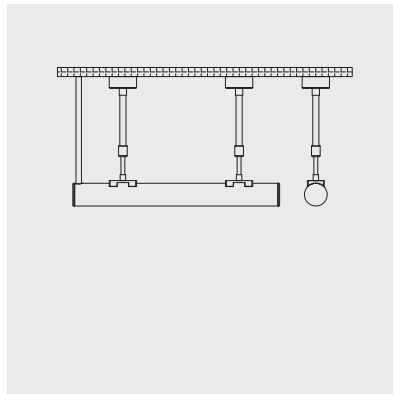
R25 - “—“ type adjustable hanging mounting with open PC clips (R25-IA14)



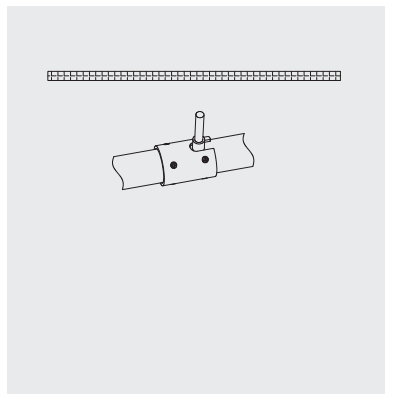
R25 - “—“ type adjustable hanging mounting with PC profile (R25-IA15)



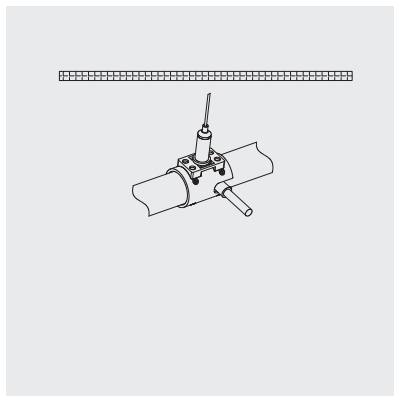
R25 - “—“ type adjustable hanging mounting with closed PC clips (R25-IA16)



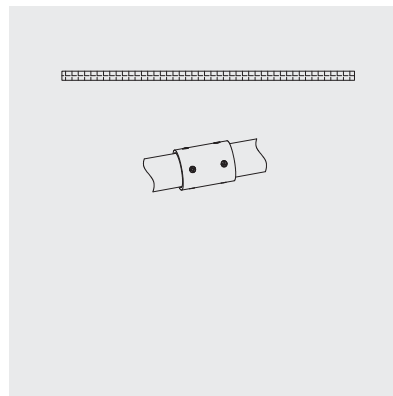
R25 - “—“ type adjustable hanging mounting with concealed PC clips (R25-IA17)



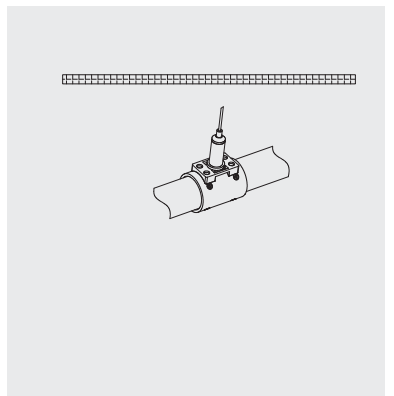
R25-Side outlet transparent connector (R25-IA18)



R25-side outlet transparent connector with lifting rope (R25-IA19)

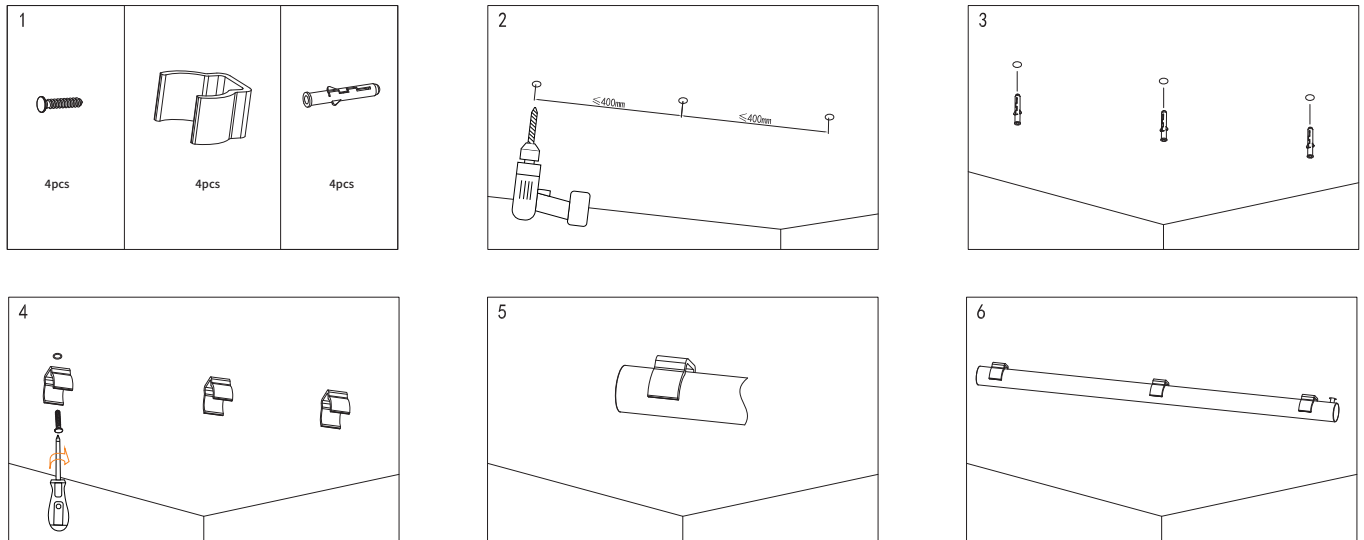


R25 transparent connector (R25-IA20)

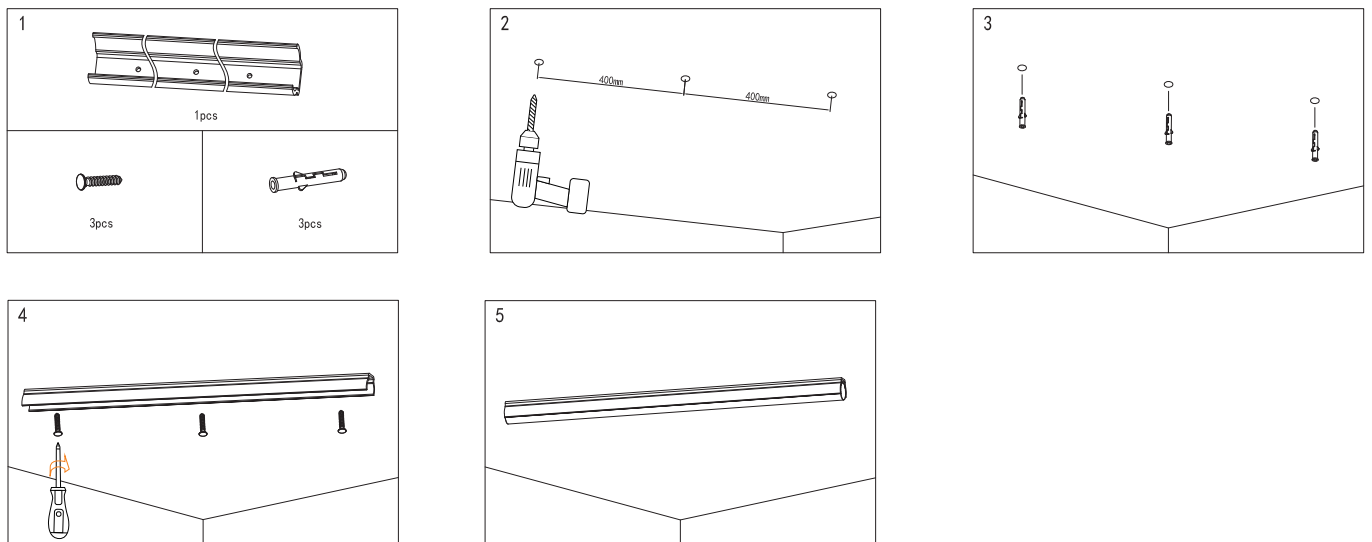


R25 transparent connector with lifting rope (R25-IA21)

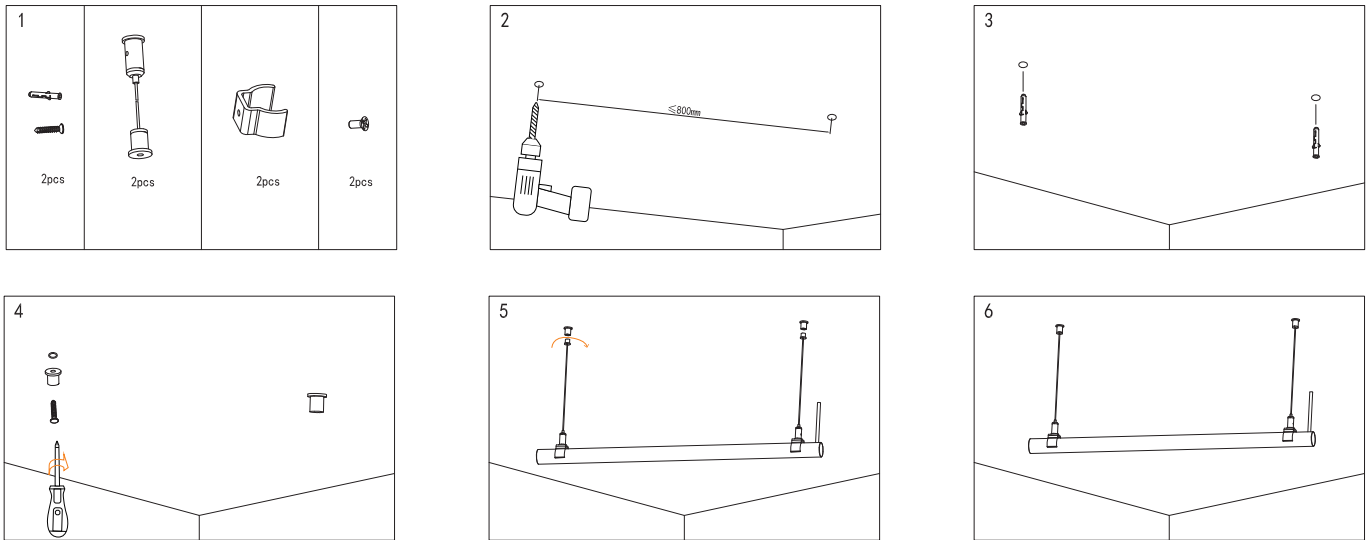
### R25 - Surface mounting with open PC clips(R25-IA01)



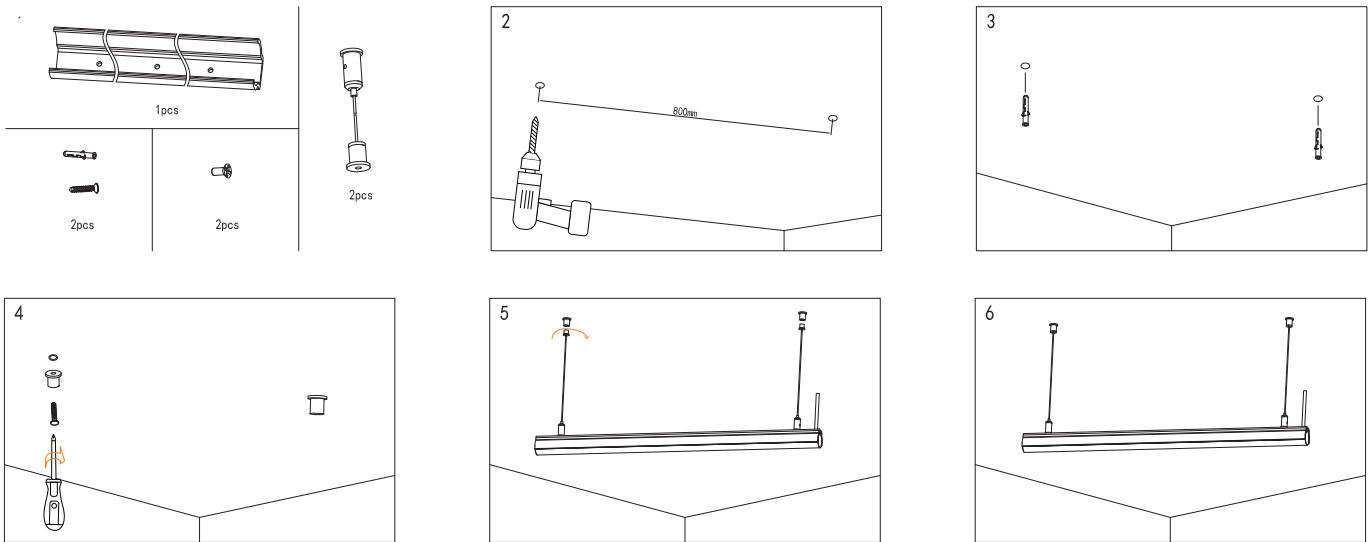
### R25 - Surface mounting with PC profile(R25-IA02)



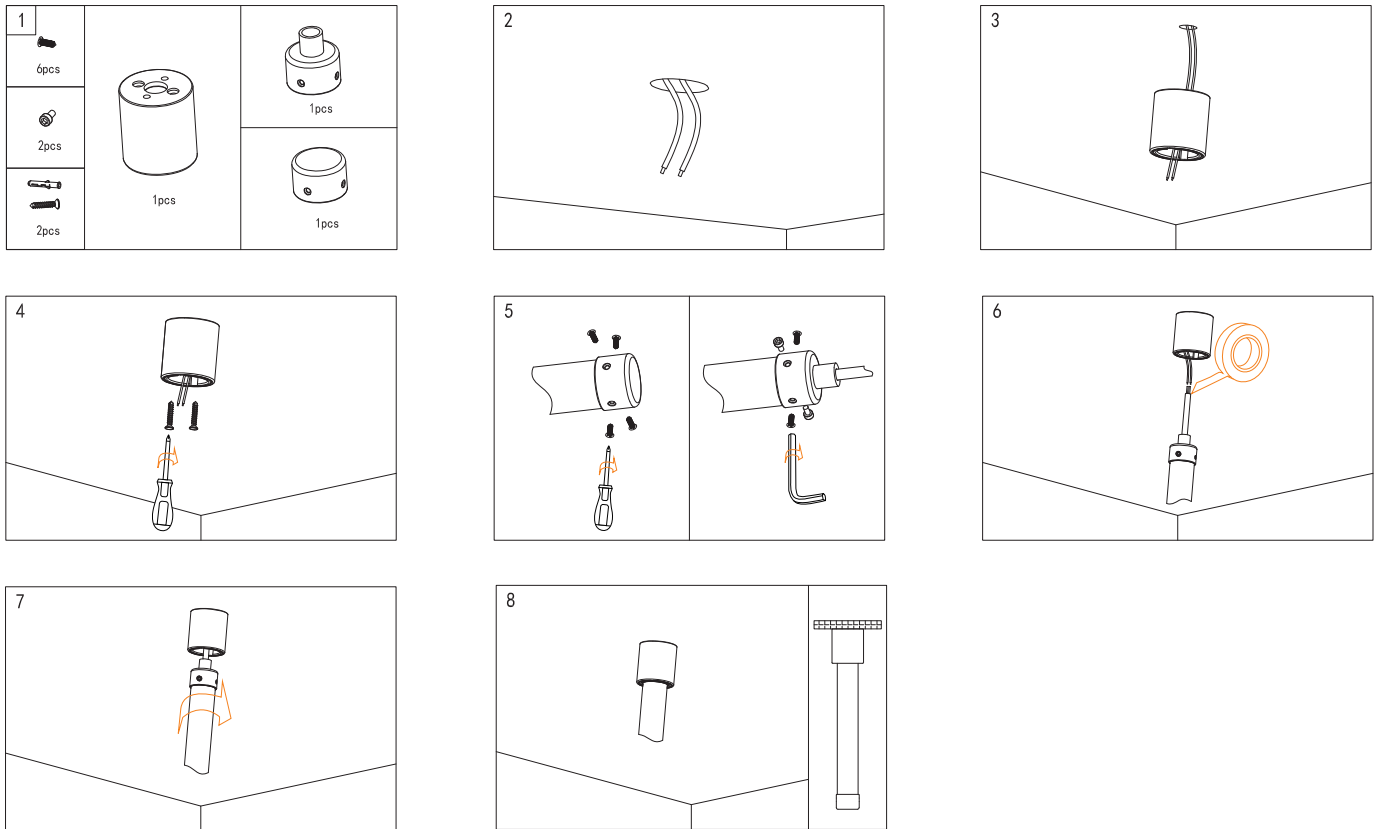
### R25 - “—” type hanging mounting with open PC clips(R25-IA03)



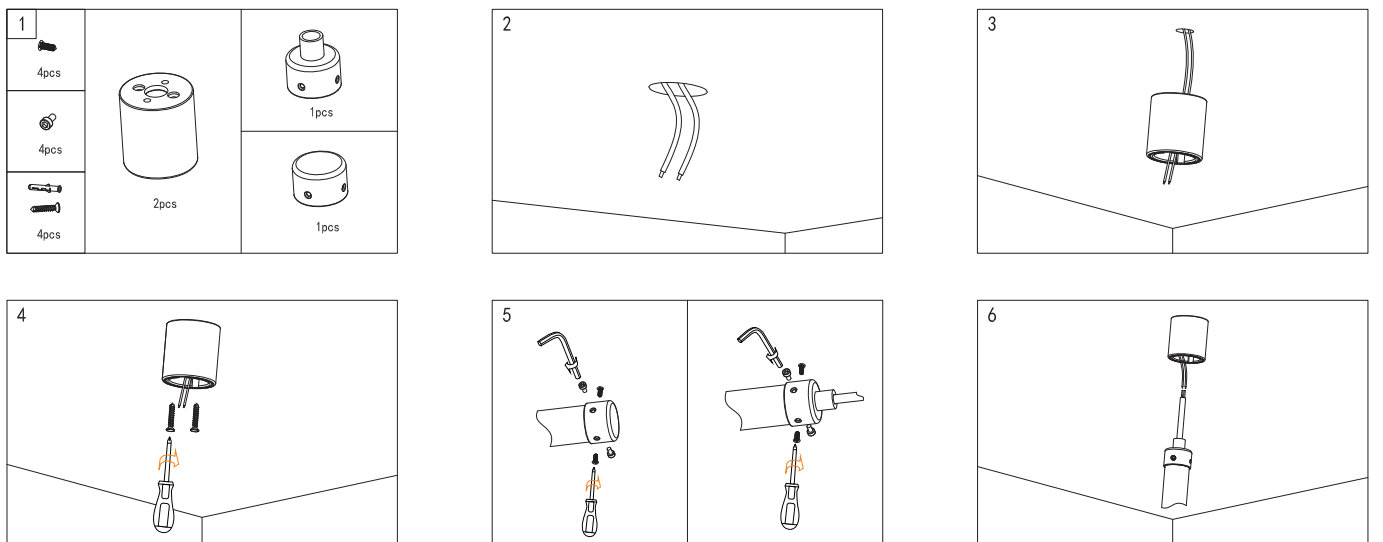
### R25 - “—” type hanging mounting with PC profile(R25-IA04)



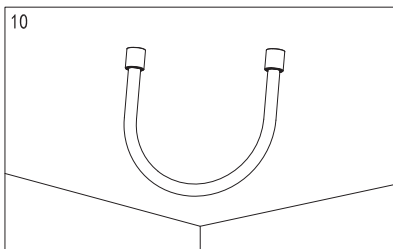
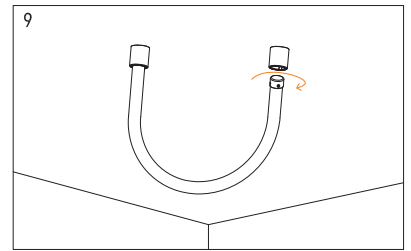
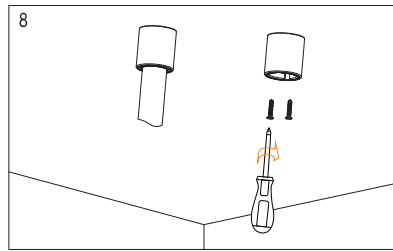
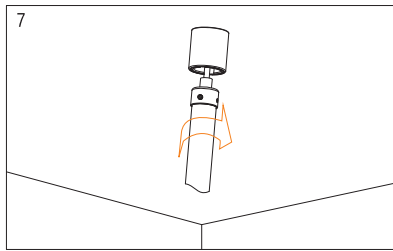
### R25 - "I" type hanging mounting(R25-IA05)



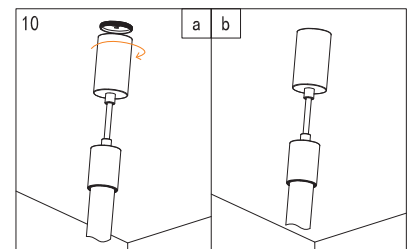
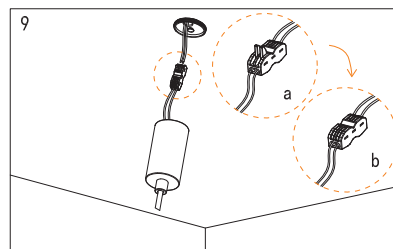
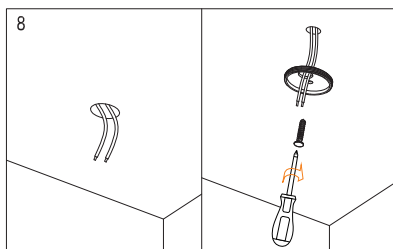
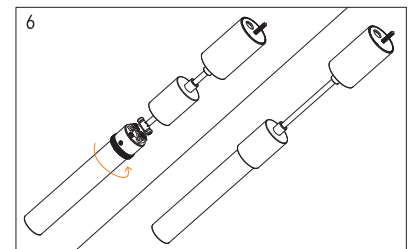
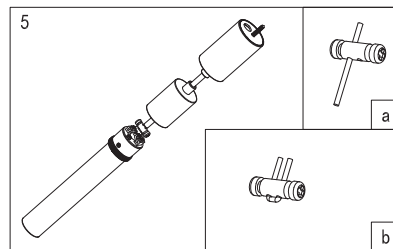
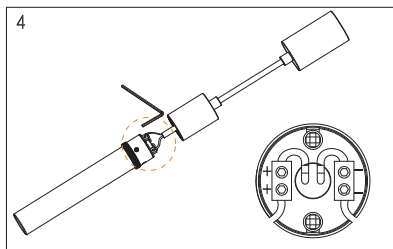
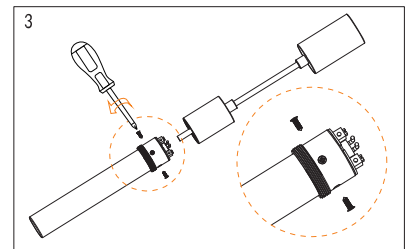
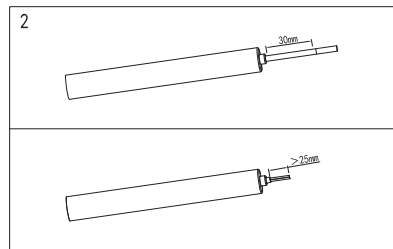
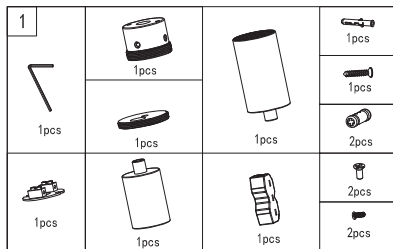
### R25 - "U" type hanging mounting(R25-IA06)



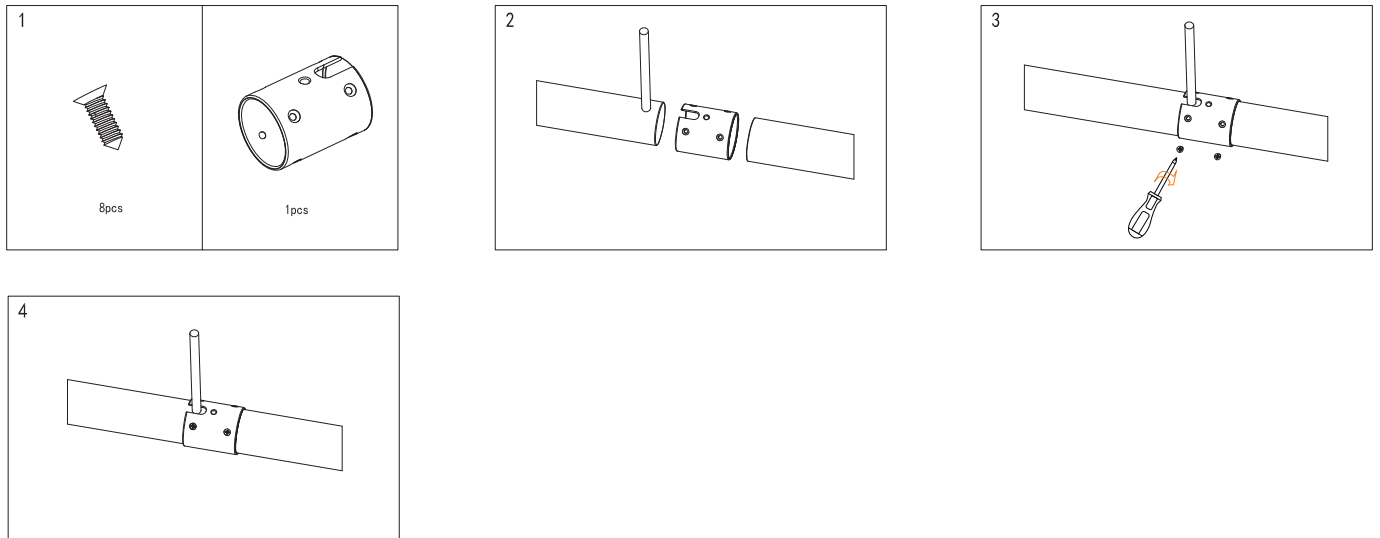
### R25 - "U" type hanging mounting(R25-IA06)



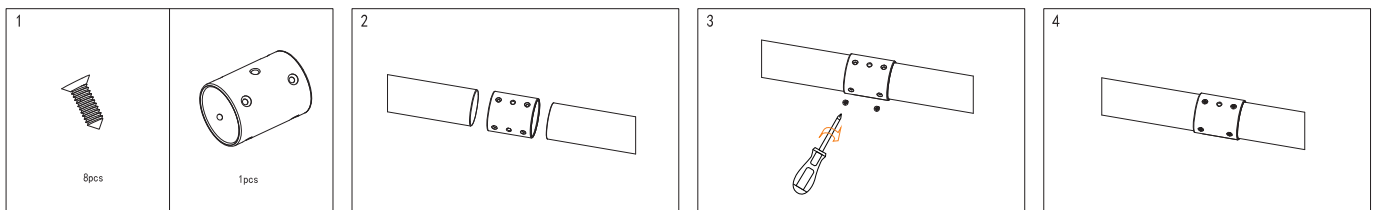
### R25 - "I" type hanging mounting with rope(R25-IA07)



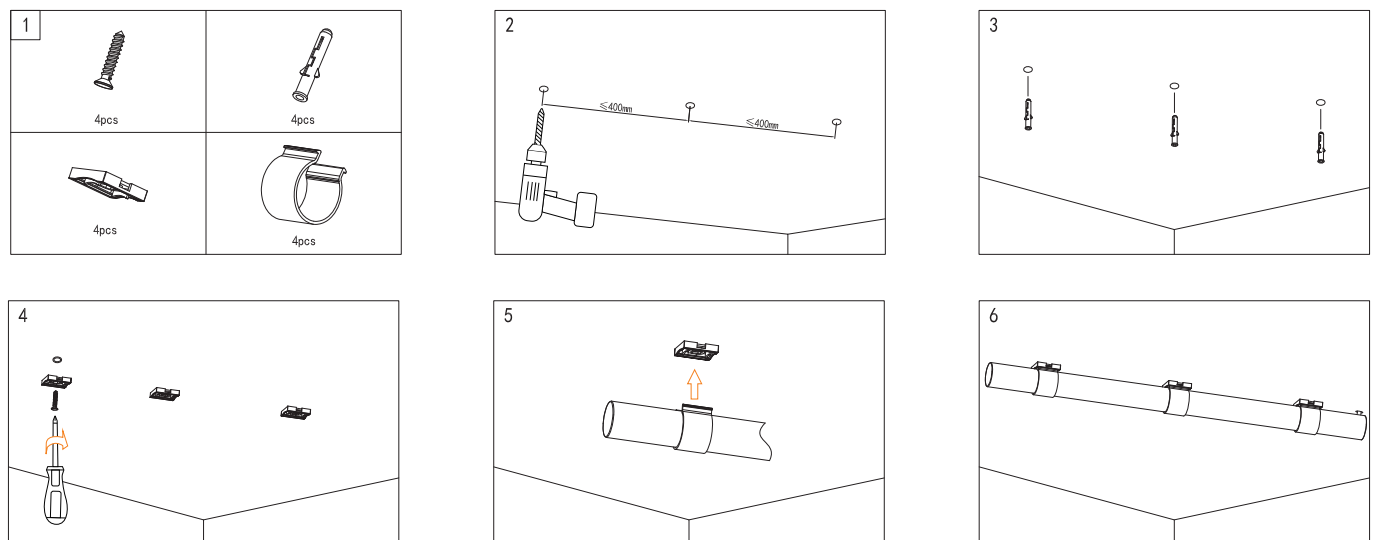
### R25 - Connector with side outlet(R25-IA08)



### R25 - Connector(R25-IA09)

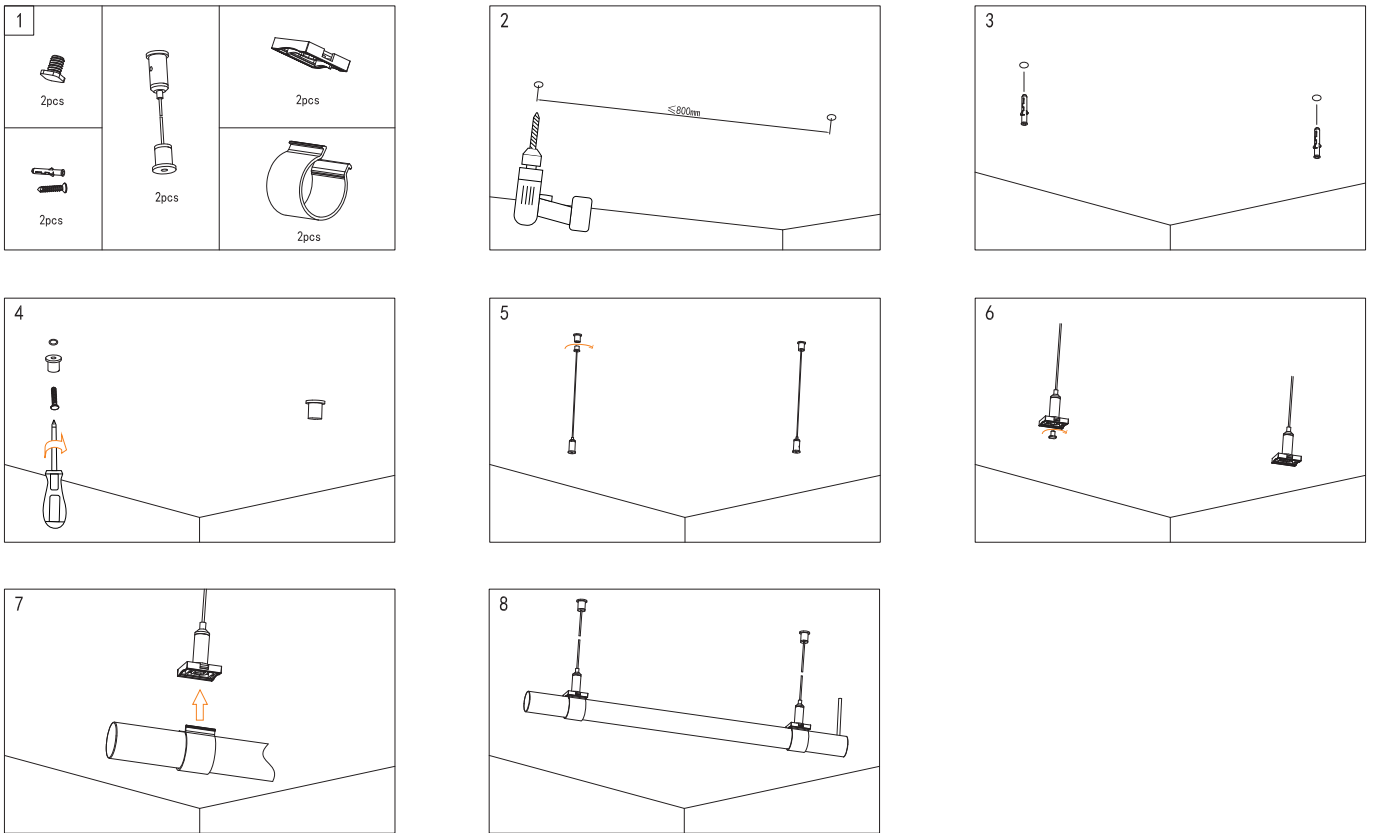


### R25 - Surface mounting with closed PC clips(R25-IA10)

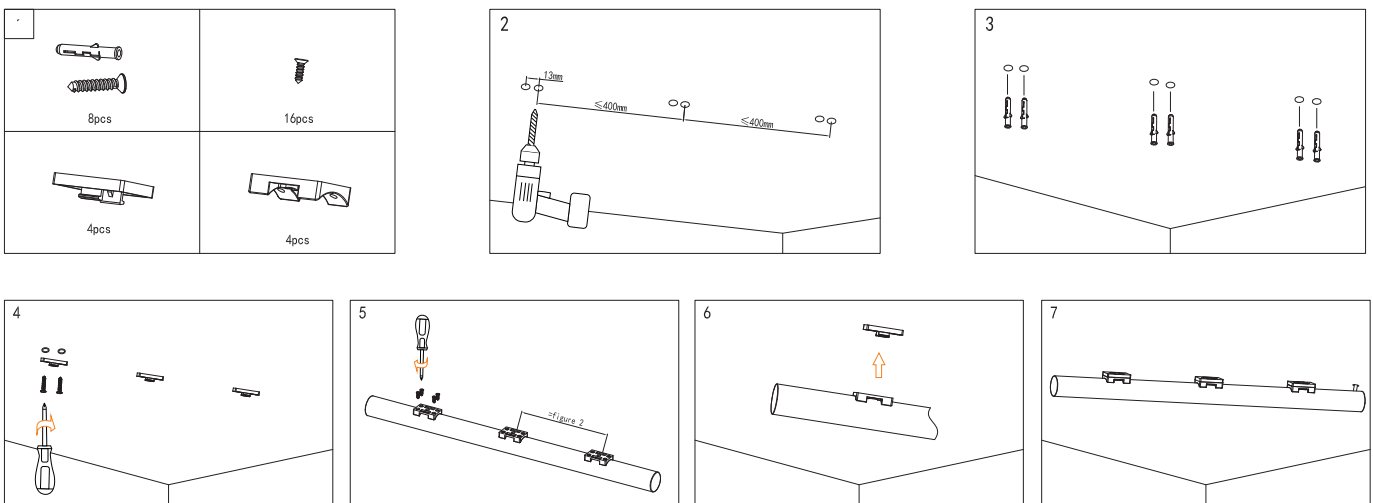




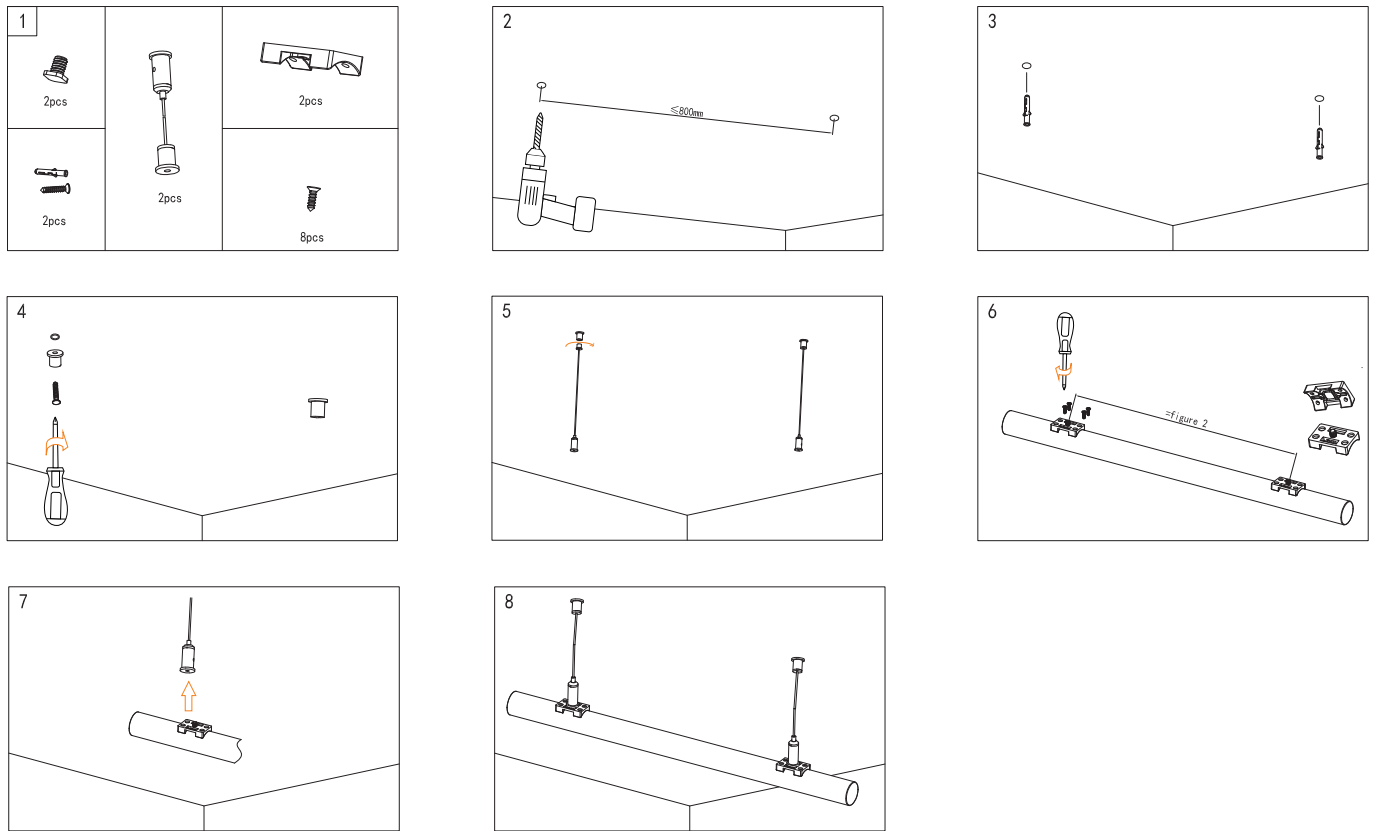
R25 - “—” type hanging mounting with closed PC clips(R25-IA11)



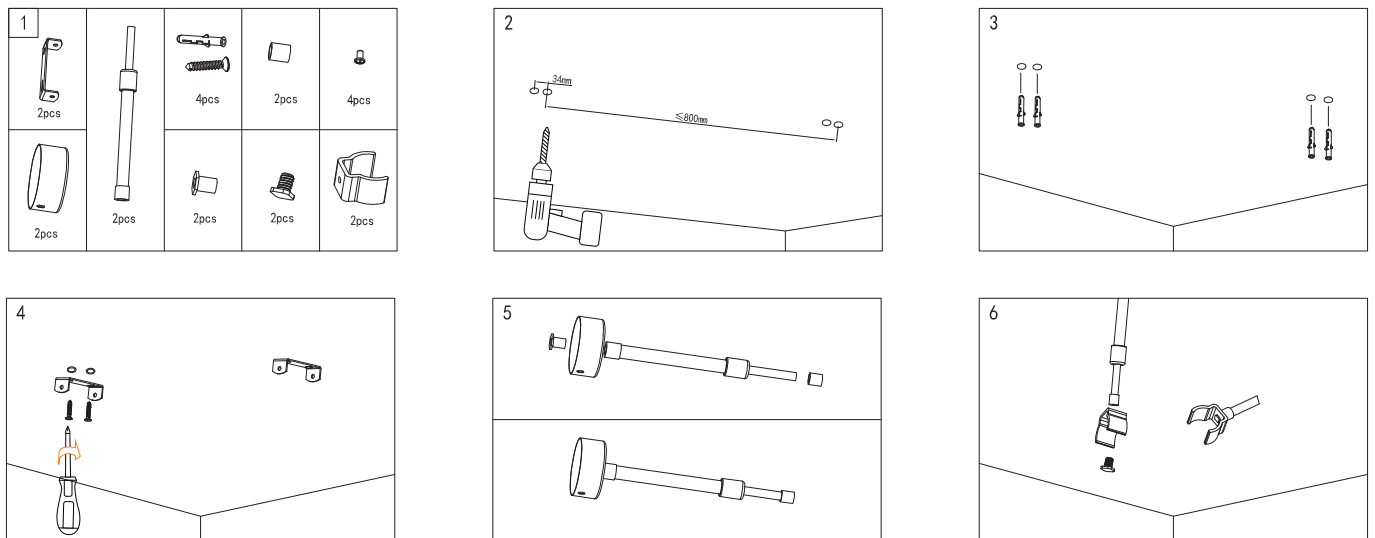
R25 - Surface mounting with concealed PC clips(R25-IA12)



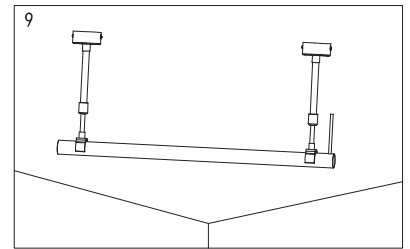
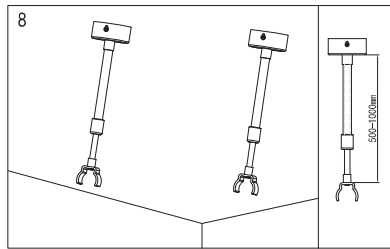
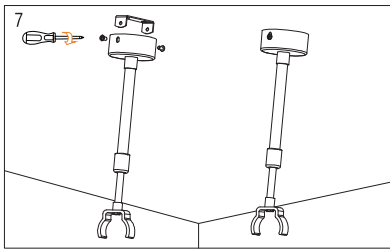
### R25 - “—” type hanging mounting with concealed PC clips(R25-IA13)



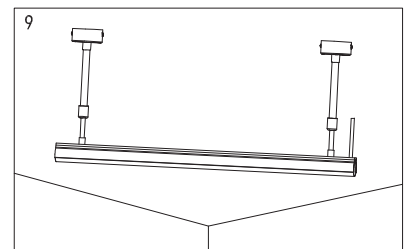
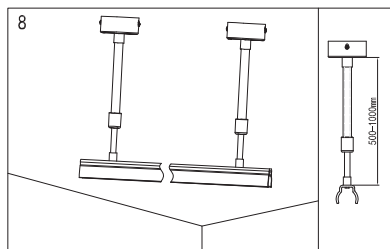
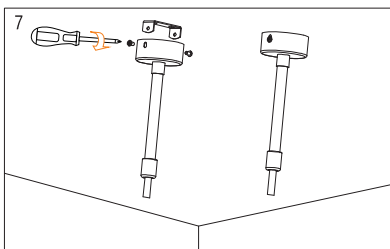
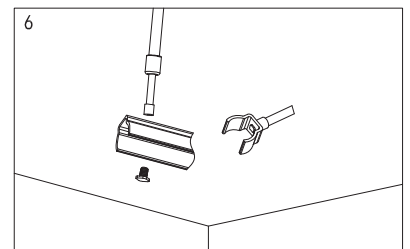
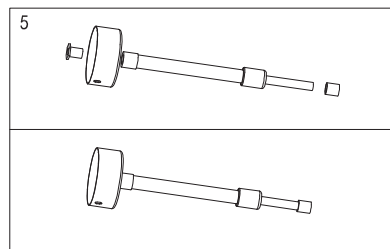
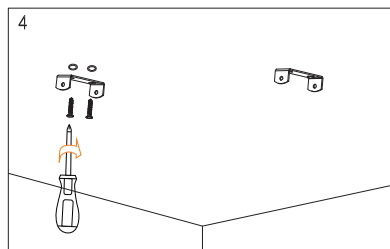
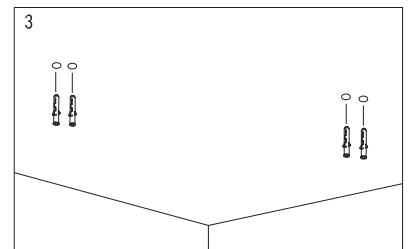
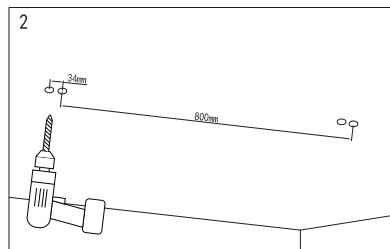
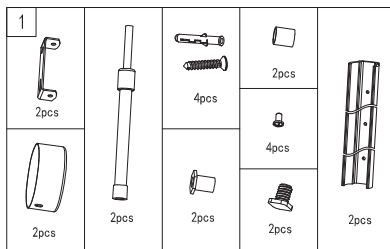
### R25 - “—” type adjustable hanging mounting with open PC clips(R25-IA14)



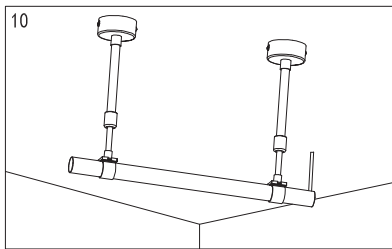
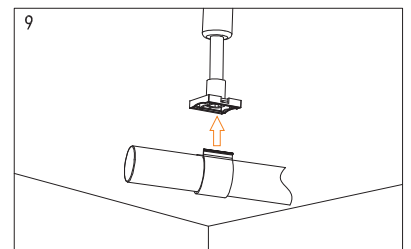
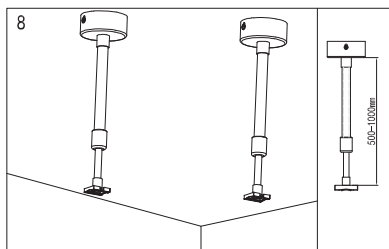
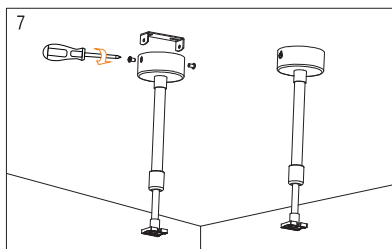
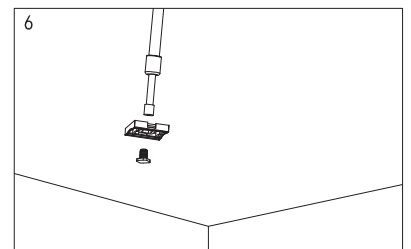
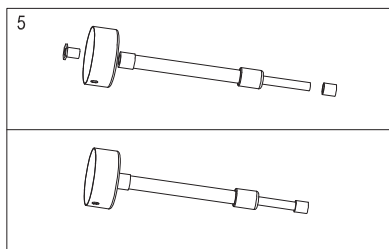
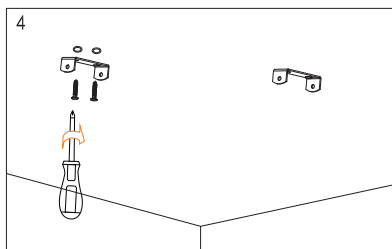
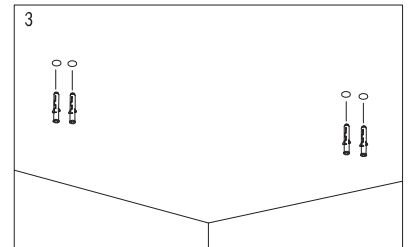
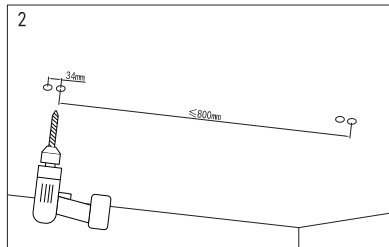
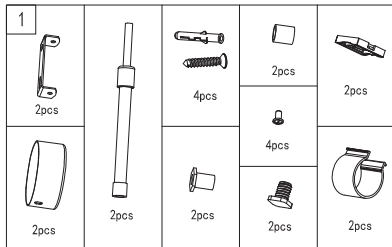
### R25 - “—” type adjustable hanging mounting with open PC clips(R25-IA14)



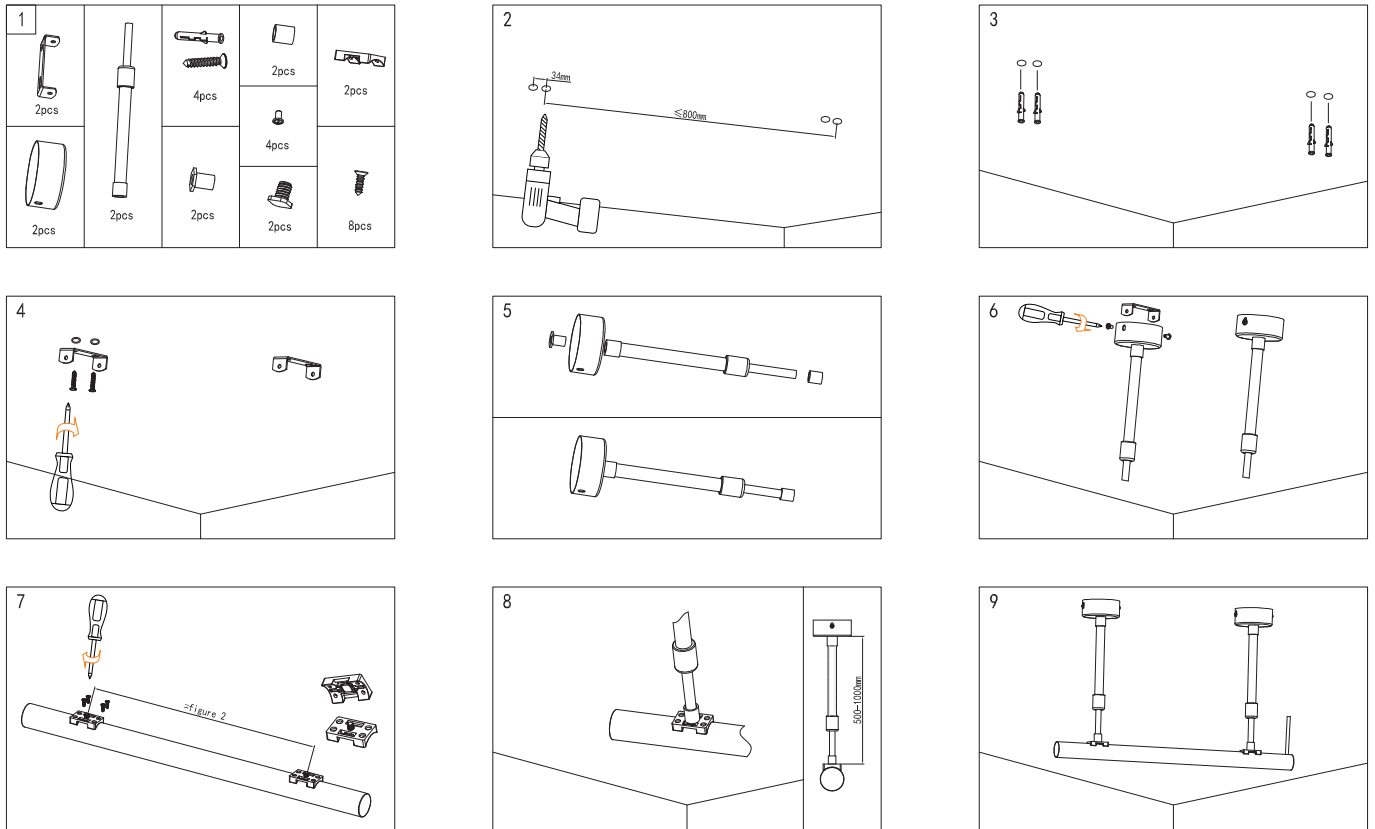
### R25 - “—” type adjustable hanging mounting with PC profile(R25-IA15)



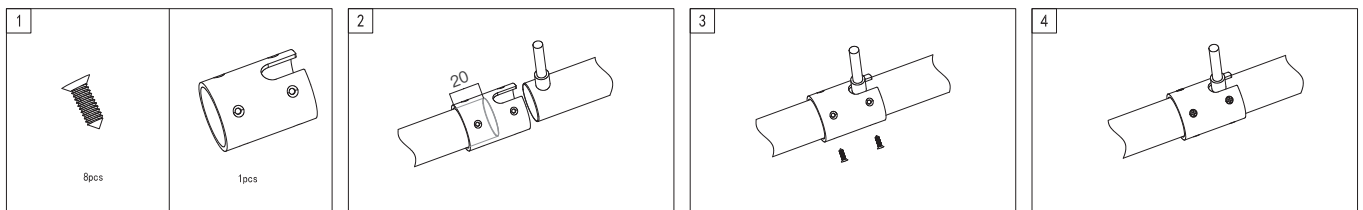
R25 - “—” type adjustable hanging mounting with closed PC clips(R25-IA16)



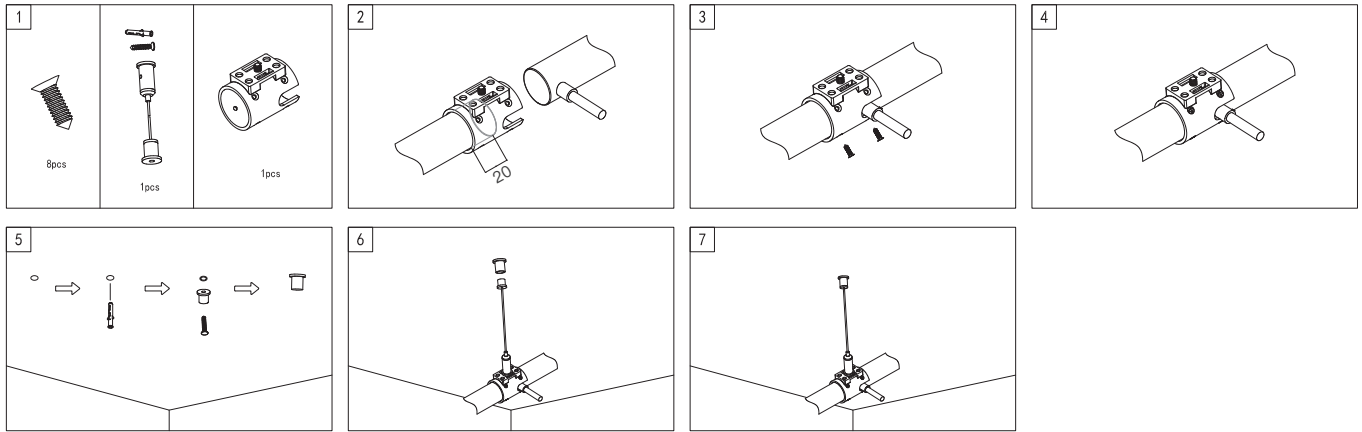
### R25 - “—” type adjustable hanging mounting with concealed PC clips(R25-IA17)



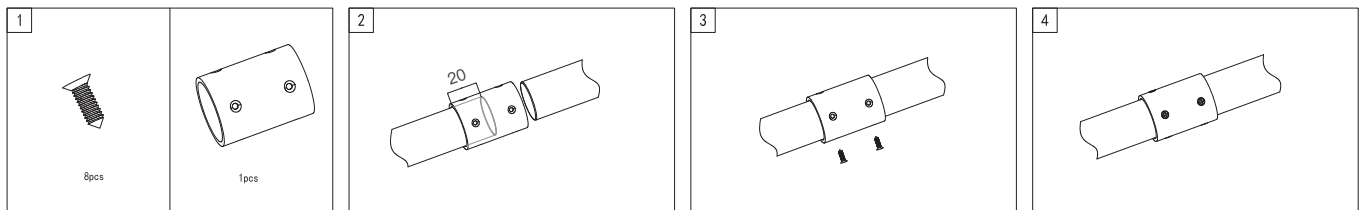
### R25 side outlet transparent connector (R25-IA18)



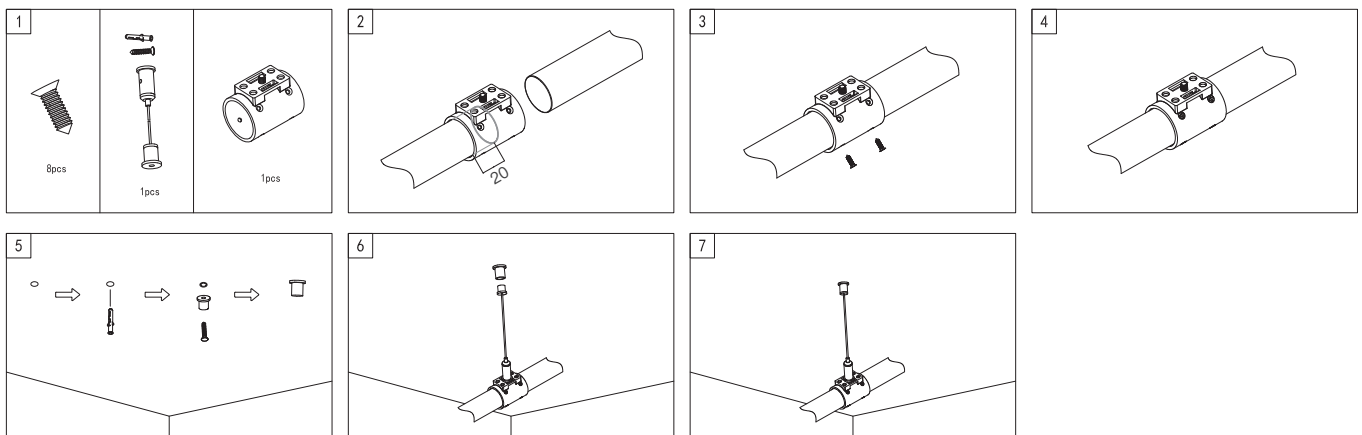
### R25 side outlet transparent connector with lifting rope (R25-IA19)



### R25 transparent connector (R25-IA20)

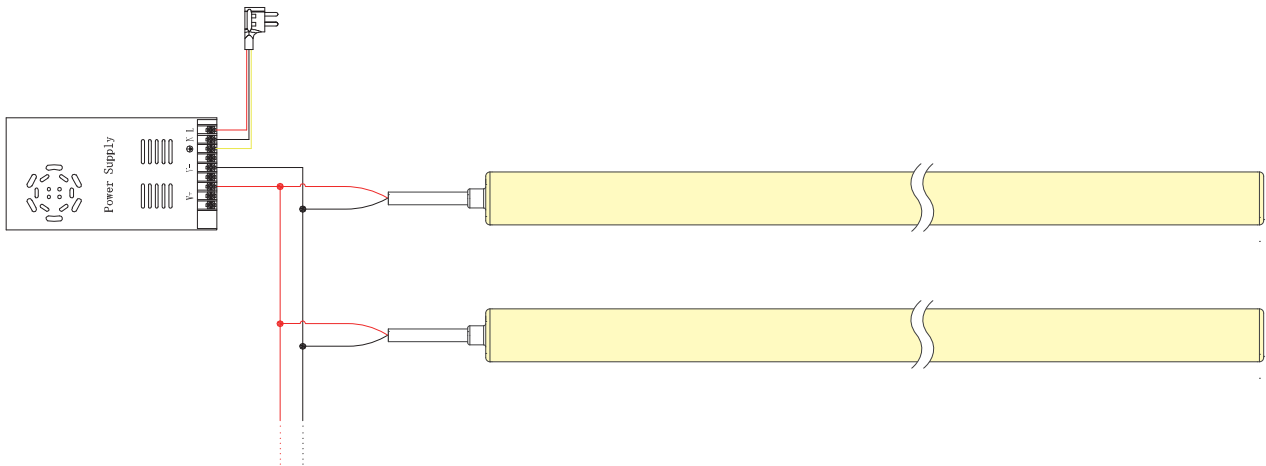


### R25 transparent connector with lifting rope (R25-IA21)



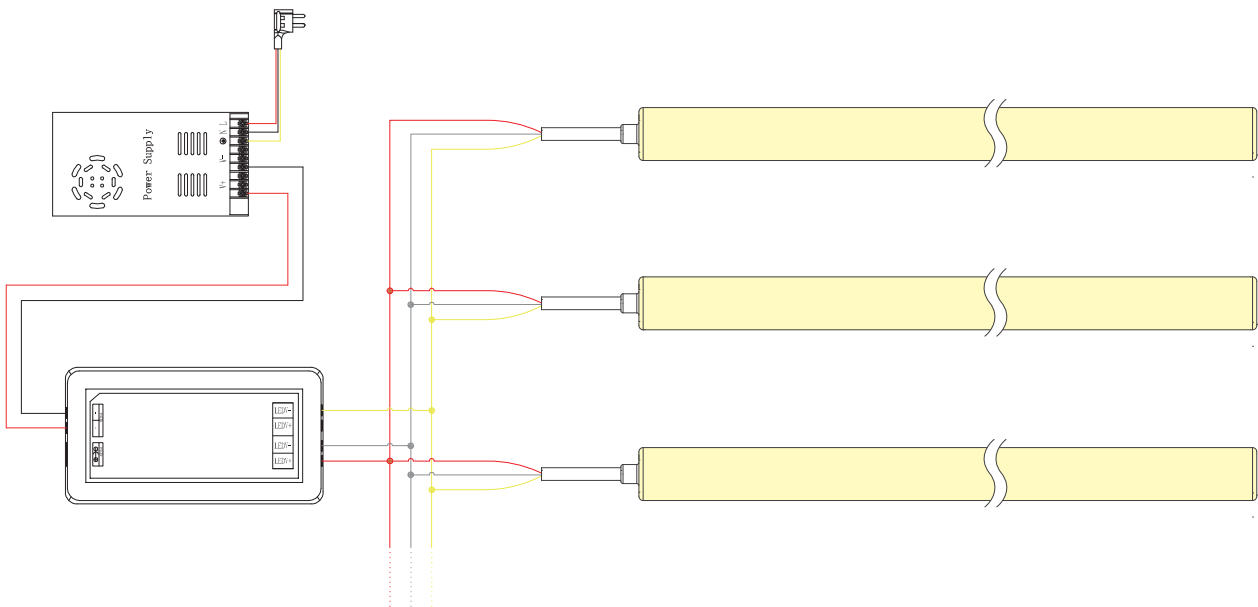
### Connection diagram for single color light

---



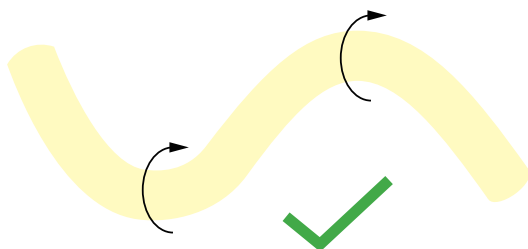
### Connection diagram for tunable white light

---

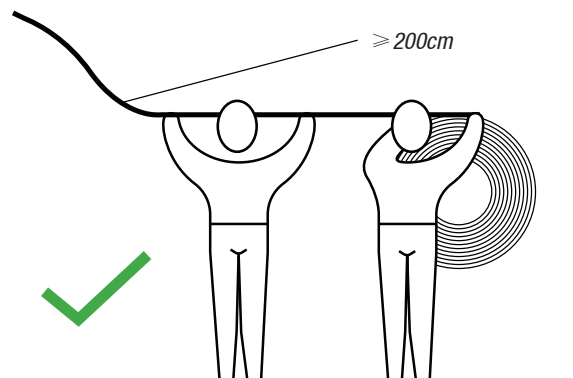


## Installation/Use Precautions

- ◆ The unopened products and the unused products after unpacking, should be sealed in packaging bags to avoid long-term exposure.
- ◆ Please use DC24V isolated constant voltage switching power supply with ripple voltage less than 5%. Other types of power supply may damage the product or cause other safety risks.
- ◆ In practical application, the power supply should be retained with a 20% allowance (it is recommended to use only 80% power of the power supply) to ensure the stability of the power supply.
- ◆ Professional operators are recommended to wire and connect the power supply. It is strictly prohibited to connect the power supply with electricity in case of electric shock.
- ◆ Please confirm whether the voltage of the power supply is consistent with the voltage of the product before wiring.
- ◆ Please note the positive and negative sides of the power cord and connect them properly.
- ◆ When using multiple power supply, the situation of parallel connection of the positive pole of the power supply should be avoided. It will lead to instability of the power supply system and damage to the product after long-term operation.
- ◆ If the actual length of the application exceeds the specified length, it will lead to the phenomenon of heating and uneven brightness of the strip due to overload.
- ◆ During installation, please avoid twisting or irregular bending of the strip, and avoid any operation that will scratch the strip, otherwise it may cause irreparable damage to the product.
- ◆ In order to ensure the life and reliability of the strip, please ensure that the diameter of the bending should be greater than 200mm.
- ◆ For the sake of eye protection, please avoid looking directly at the illuminated surface for a long time.
- ◆ Non-professionals are strictly prohibited from installing, disassembling or repairing the strip.
- ◆ Do not use any acid or alkaline adhesive to fix the strip (including but not limited to glass glue, etc.)
- ◆ Different levels of waterproof, different use environment. IP65 is not suitable for immersion application.
- ◆ Due to structural differences, the final visual color of the strip will be slightly different for products of different sizes and specifications under the same color temperature value.
- ◆ Due to the difference in structure, the same color temperature value, different size/specification of the strip, their final visual color will be slightly different. Please make confirmation before use.
- ◆ It is forbidden to cut this product to avoid damage to the strip due to improper operation.
- ◆ Customers are not allowed to cut this product by themselves.



Bending diameter must be greater than 200mm

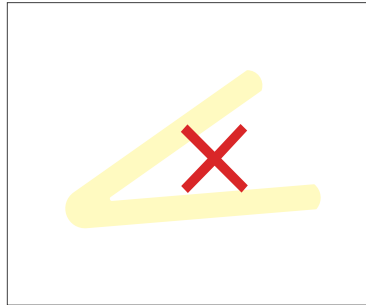


When the length of the strip is longer than 2 meters, have two people work together to install it.



## Installation/Use Precautions

---



Small Angle bending is prohibited



Prohibit trample

Tests show that formaldehyde and benzene substances will make silicone products yellowing.

If the silicone products are used in the indoor environment of new decoration, epoxy floor paint, wall paint, wallpaper adhesive, all kinds of decoration materials, or new furniture, are likely to release formaldehyde and benzene substances. In order to avoid silicone material affected, it is suggested that the use of the environment after the completion of the new decoration, formaldehyde and benzene should be removed first, or it should be ventilated for a period of time before installing the strip.