

BETTY

L70
25°C

187,000 Hours

AmberLED Round Light Column



Dimensions

Diameter (D)	5" (128mm)
Height (A)	144 $\frac{1}{4}$ " (3675mm)
Mounting Base (B)	8" (205mm) Square
Decorative Round Base Cover (B)	16 $\frac{1}{2}$ " (422mm) Diameter

The AmberLED 12-foot BETTY Light Columns provide contemporary pedestrian lighting designed for wildlife, dark skies, or security applications requiring monochromatic AMBER light. LEDs operate between 585 and 595nm, greater than 560nm required for wildlife protection. These fixtures are ideal for retail centers, schools and universities, public transit and airports, park walkways, plazas, office buildings, and medical facilities.

Specifications and Features:

Housing:

Extruded 12-foot Aluminum Housing with Flat Top and Die Cast Mounting Base. Includes PBR1 Decorative Clamshell Base Cover with Stainless Steel Hardware.

Listing & Ratings:

ETL: Listed for Wet Locations, ANSI/UL 1598, 8750
IP66 Sealed LED Compartment.

Finish:

Textured Architectural Black or Platinum Powdercoat Finish Over a Chromate Conversion Coating.

Lens:

SoftLED LumaLens Opal UV-Stabilized Polycarbonate Vandal-Resistant Lens

Mounting Options:

Mounts with Four M18 x 15" Anchor Bolts, Included.

AmberLED:

Aluminum Boards

Wattage:

39w Array: 23w, System: 42.6w

Driver:

Electronic Driver, 120-277V, 50/60Hz; Less Than 20% THD and PF>0.90. Standard Internal Surge Protection 2kV. 0-10V Dimming Standard for a Dimming Range of 100% to 10%; Dimming Source Current is 150 Microamps.

Warranty:

5-Year Warranty for -40°C to +50°C Environment.

See Page 3 for Projected Lumen Maintenance Table.

Project Information:

Project Name:	Fixture Type:
Complete Catalog #:	Date:
Comments:	

Certification & Listings:



Order Information Example: BETTY-F-1X39-U-AM-L-P-LBC

BETTY	F	1X39	U	AM	L			
Model	Optics	Wattage	Driver	CCT	Lens	Color	Height	Options
BETTY=AmberLED Round Light Column	F=Type V	1X39=39w	U=120-277V	AM=1400K	L=SoftLED LumaLens Opal UV-Stabilized Polycarbonate Lens	B=Black P=Platinum	(Leave Blank)= 12' Standard Height 60=60" C=Custom Height of Less Than 8' (Consult Factory)	SF=Single Fuse* DF=Double Fuse* SP=Surge Protection LBC=Less Base Cover *120-277V Model Only

Accessories & Replacement Parts:

**Replacement Parts
(Order Separately, Field Installed)**

PBR1* Decorative Clamshell Base Cover, 16 1/2" Diameter, Powdercoat Finish

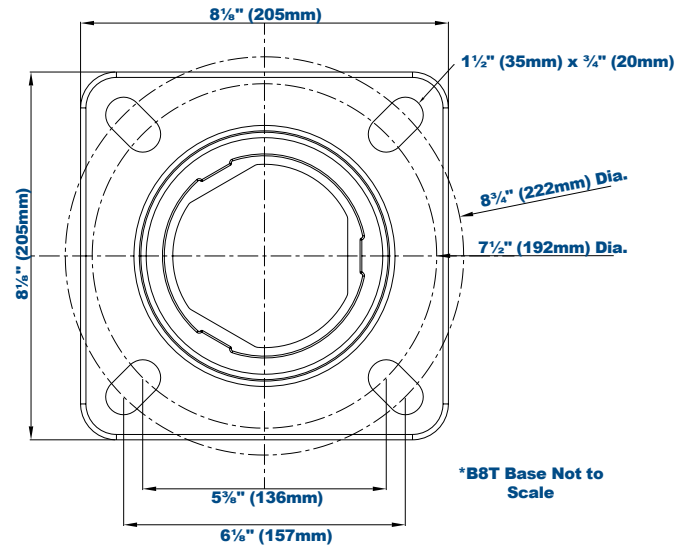
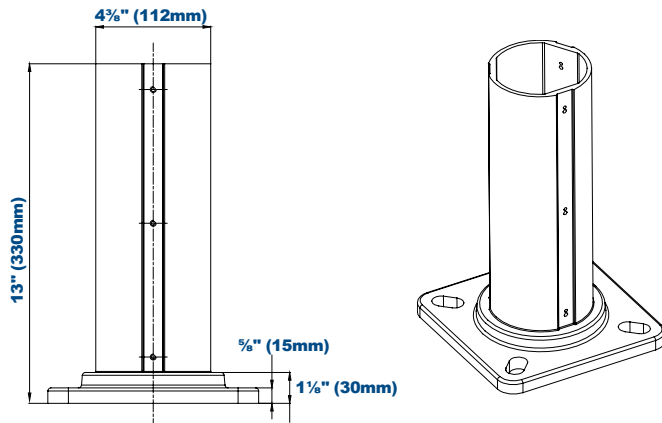
*Specify Color: B=Black, P=Platinum



PBR1*

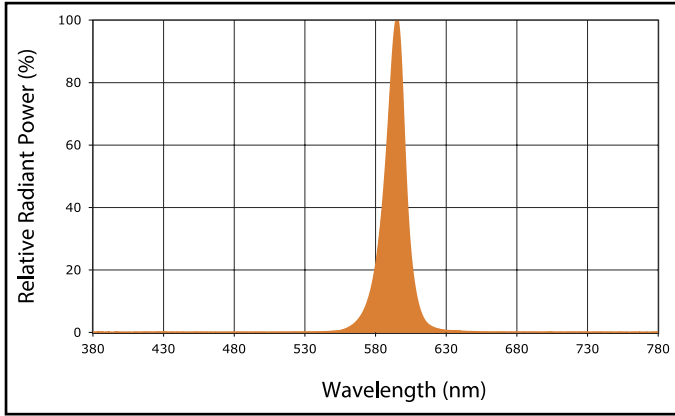
*Shown Mounted

Base Information:



Shaft Base Size	Bolt Circle A	Base Size B	Anchor Bolt Size
B8T	Min 7.5" (192mm); Max 8.75" (222mm)	8.125" x 8.125"	M18 x 15"

Spectral Chart



Photometric Performance

Wattage (Catalog Logic)		39W (1X39)
Input Watts		42.6W
Optic	CCT	Delivered Lumens
AmberLED B8T Type V Optic	Amber	1,516
	BUG Rating	B1-U5-G1

Projected Lumen Maintenance

Data shown for Amber LEDs		Compare to MH				
TM-21-11	Input Watts	Initial	25,000 Hrs	50,000 Hrs	100,000 Hrs	Calculated LED Life
L70 Lumen Maintenance @ 25°C / 77°F	All wattages up to and including 39w	1.00	0.96	0.92	0.84	187,000
L70 Lumen Maintenance @ 50°C / 122°F		1.00	0.94	0.89	0.78	136,000
L80 Lumen Maintenance @ 40°C / 104°F		1.00	0.95	0.91	0.81	106,000

NOTES:

1. Projected per IESNA TM-21-11. Data references the extrapolated performance projections for the base model in a 25°C ambient, based on 10,000 hours of LED testing per IESNA LM-80-08.
2. Compare to MH box indicates suggested Light Loss Factor (LLF) to be used when comparing to Metal Halide (MH) systems.